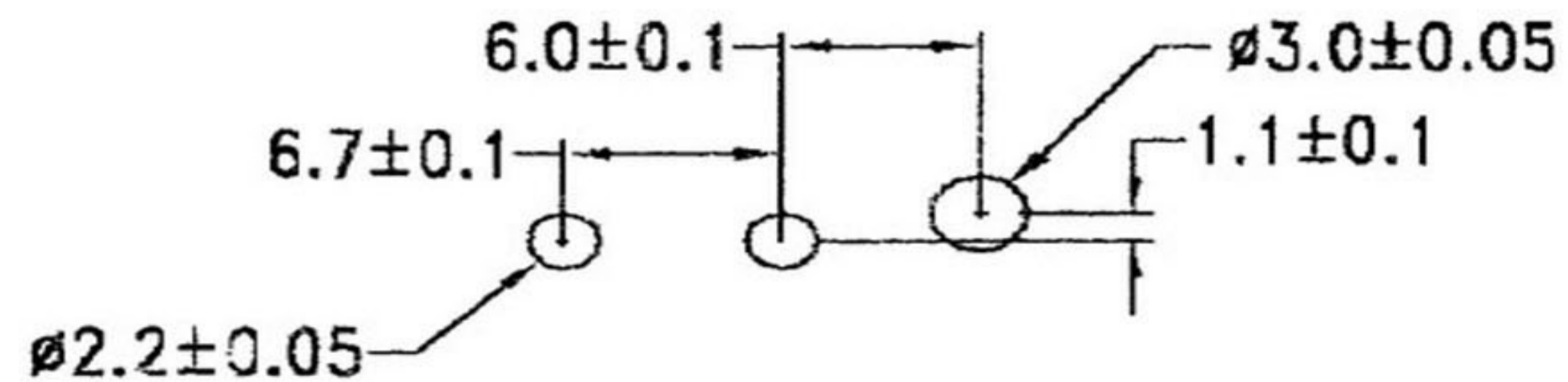
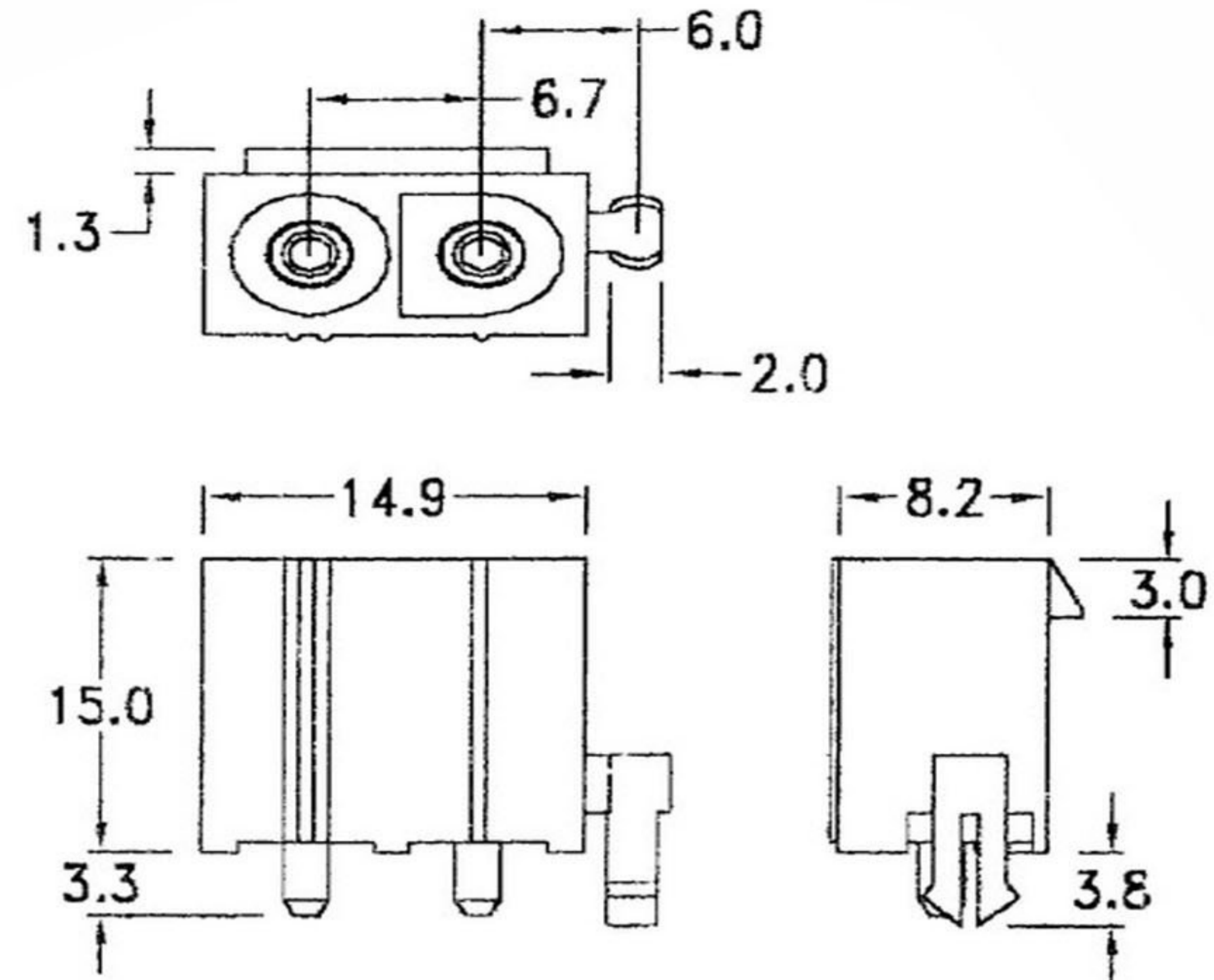


## Features:

Insulation material: UL94V-2 Nylon 66  
 Contact material: Tin-plated Brass  
 Standard color: Nature

## Specifications:

Current rating: 12A AC, DC  
 Voltage rating: 600V AC, DC  
 Dielectric withstanding voltage: 5000V AC rms  
 Ambient temperature range: -40°C ~ 105°C  
 (Including temperature rise)



## P.C. board hole dimensions

RoHS Compliant		<b>HSM</b> 玄茂科技股份有限公司 HSUAN MAO TECHNOLOGY CO., LTD.	
APPD. 核准	SCALE 比例 参考	TOLERANCE 容許公差	PART NAME 品名
DWG. 製圖 Helen		.0 ± 0.25 .00 ± 0.15 ANG. ±	6.7mm WAFER STRAIGHT 1X2P WITH POLARIZING FEATURE MATERIAL:V-2 WHITE COLOR TIN PLATING ROHS
DATE 制表日	UNIT 單位 M M	SIZE 紙張尺寸 A 4	PART NO.
2012/4/13	PAGE 張數 1 OF 1	REV. 版本 A	料號 W6670-02PSYTWOR