

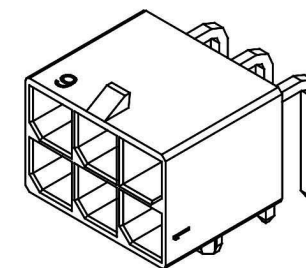
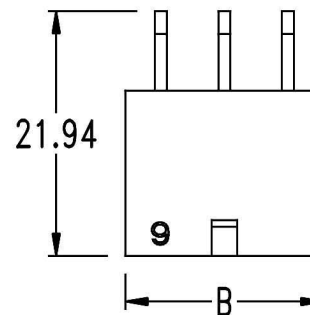
### Features:

- 2 ~ 12 circuits available
- Material: LCP, Black color
- Contact: High conductivity copper
- .043"(1.08mm) square pin
- Mates with H5700 housing

### Dimensional Information ( mm )

Circuits	2	4	N
Dim. A	N/A	2.85xN-5.7	
Dim. B	8.35	2.85xN+0.65	
Dim. C	N/A	2.85xN-5.7	

&& N = 6 ~ 12



### Specification:

- Current rating: With tinned AWG copper wire

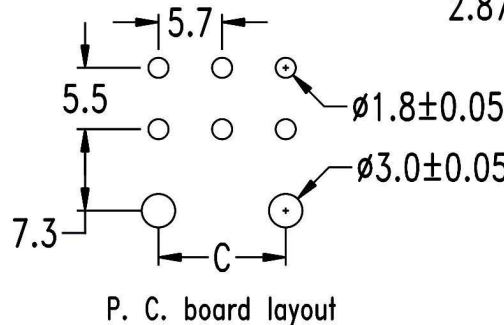
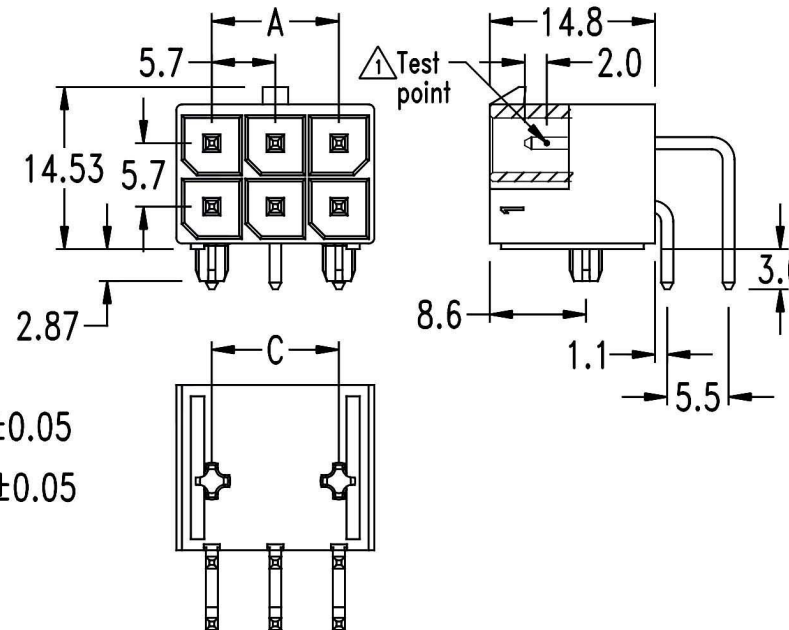
Wire size		N			
AWG	Max. Ins. Dia.	2	4	6	8~12
#12, 4.0mm <sup>2</sup>	.162"(4.11mm)	23A	20A	18A	16A
#14, 2.5mm <sup>2</sup>	.148"(3.75mm)	21A	17A	15A	13A
#16, 1.5mm <sup>2</sup>	.125"(3.18mm)	17A	15A	13A	12A

- Voltage rating: 600V AC (RMS) or 600V DC Max.
- Contact resistance: 10mΩ Max.
- Insulation resistance: 1000MΩ Min.
- Dielectric withstanding voltage: 2200V AC/minute
- Ambient temperature range: -40°C ~ 105°C

### Information

Finished
Tin-plated 100u" over nickel 30u"

&& xx = 02 ~ 12



RoHS Compliant	<b>玄茂科技股份有限公司</b> <b>HSUAN MAO TECHNOLOGY CO., LTD.</b>		
APPD. 核准	SCALE 比例 参考	UNLESS OTHERWISE SPECIFIED TOLERANCE .000 ± 0.08 ( mm ) .00 ± 0.25 ( mm ) .0 ± 0.4 ( mm )	PART NAME 品名 5.7mm WAFER DUAL ROW RIGHT ANGLE TYPE 2XXXPIN TIN PLATING WITH LOCATING PEG BLACK INSULATOR ROHS
DWG. 製圖 Betty	UNIT 單位 M M	SIZE. 紙張尺寸 A 4	PART NO. 料號 W5700-XXPDRTYBR
DATE 制表日 2016/09/07	PAGE 張數 1 OF 1	REV. 版次 A	