

Features:

- 4~ 24 circuits available
- .045"(1.14mm) square pin
- Tin-plated brass pin

Specification:

- Voltage rating: 600V AC, DC ( R.M.S. )
- Current rating and wire size:

Maximum current rating ( Amperes )				
Ckt Size Ampere Wire	4, 6	8, 10	12~24	
	AWG #16	8	7	6
AWG #18	6	5	4	
AWG #20	5	4	4	
AWG #22	4	4	4	
AWG #24	3	3	3	
AWG #26	1	1	1	
AWG #28	1	1	1	

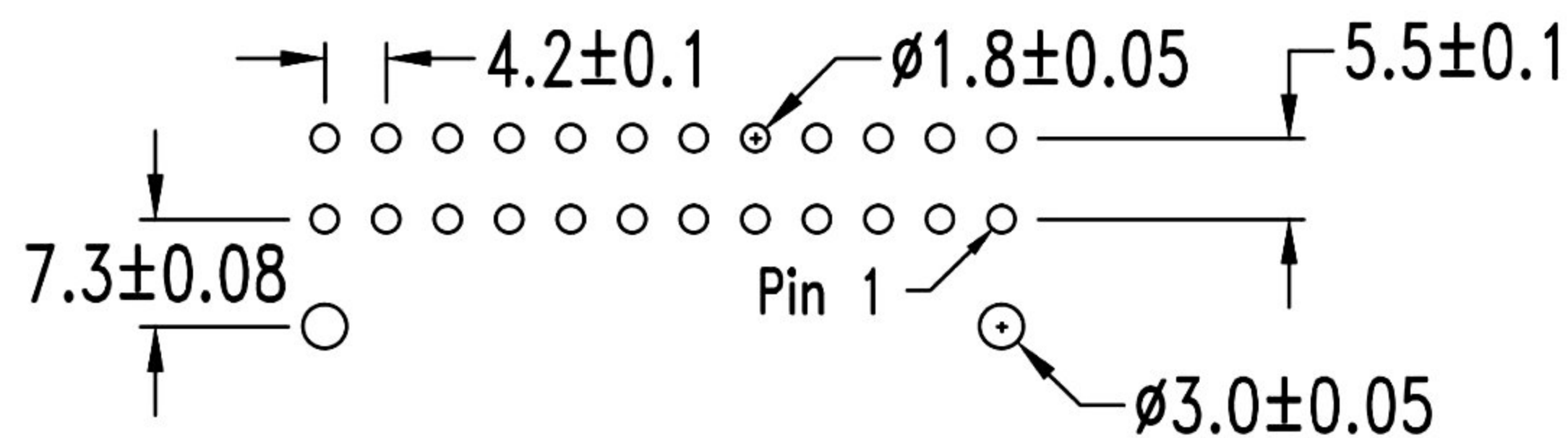
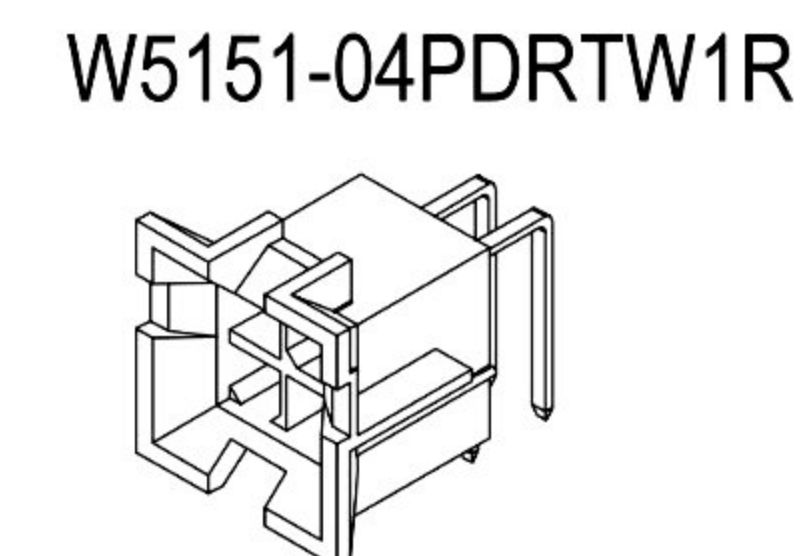
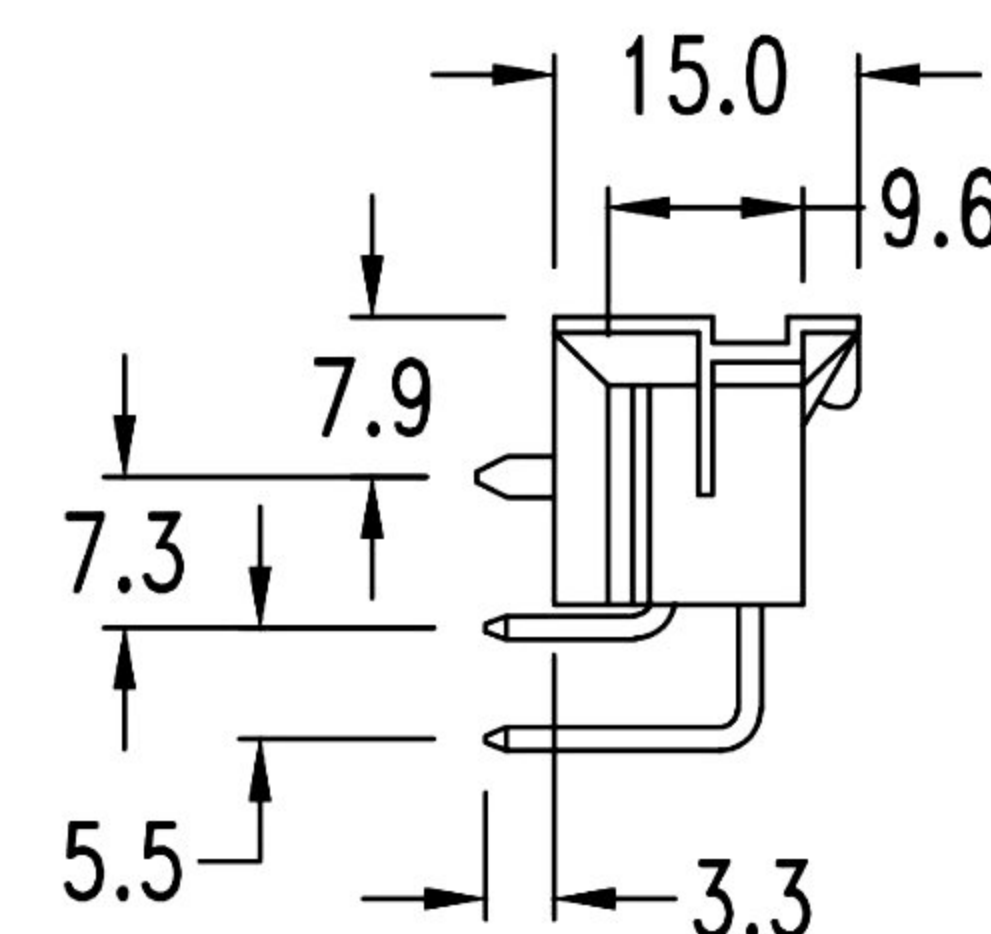
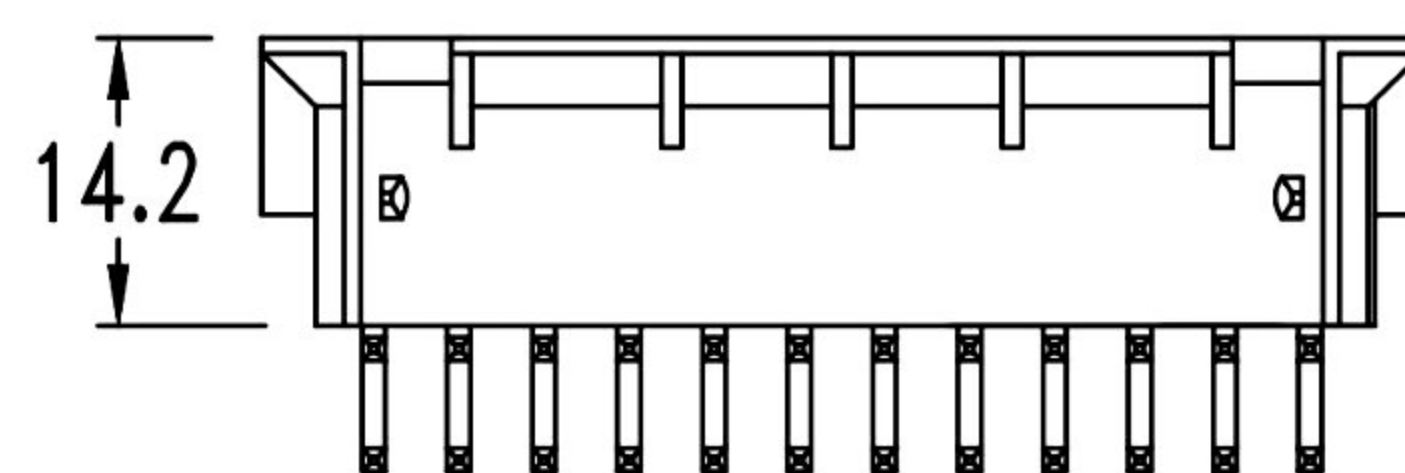
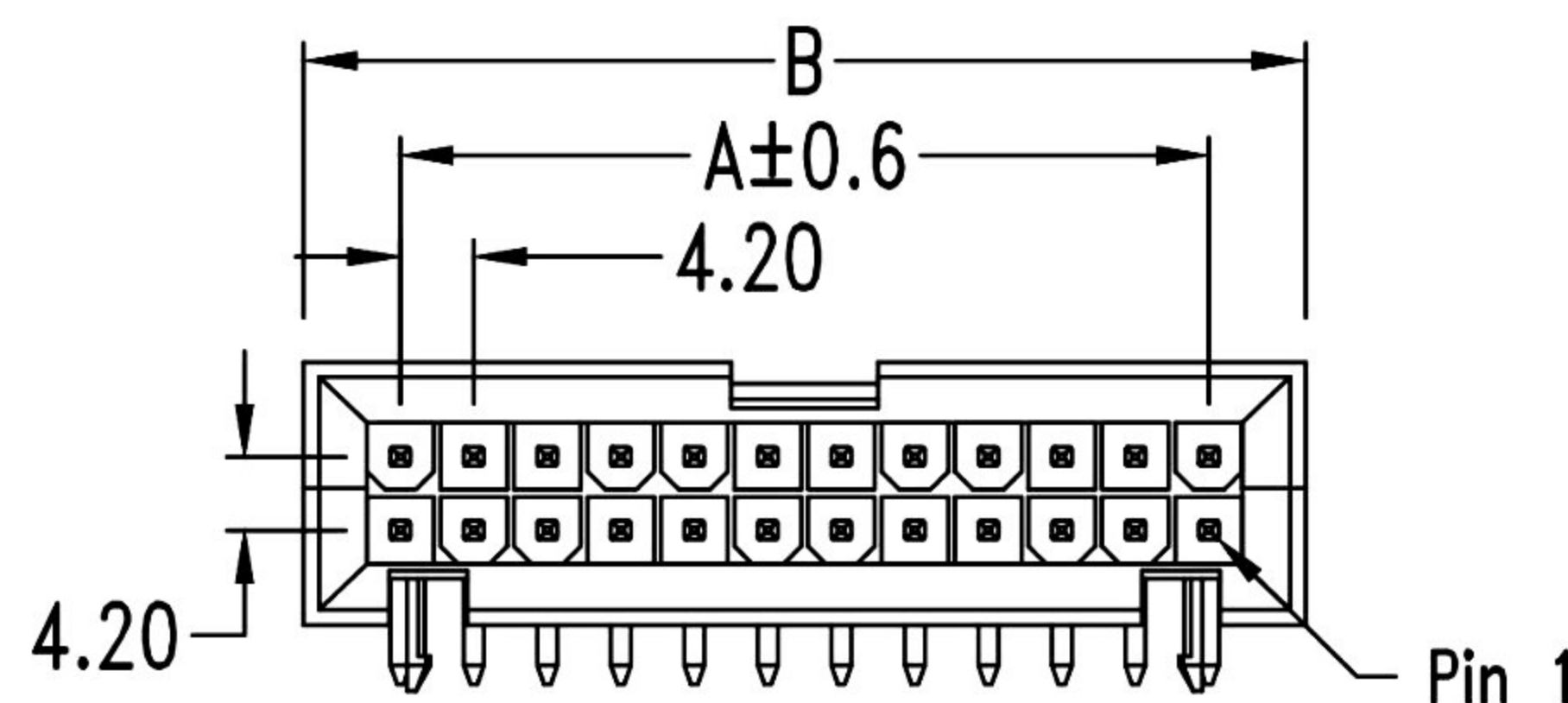
- Insulation resistance: DC 500V 1000MΩ Min.
- Dielectric withstanding voltage: 1500V AC/minute
- Ambient temperature range: -40°C ~ 105°C  
( including temperatute rise )

Dimensional Information ( mm )

Circuits	Dim. A	Dim. B	Circuits	Dim. A	Dim. B	Circuits	Dim. A	Dim. B
			10	16.8	28.2	18	33.6	45.2
4	4.2	15.5	12	21.0	32.4	20	37.8	49.5
6	8.4	19.7	14	25.2	36.6	22	42.0	53.7
8	12.6	23.9	16	29.4	41.0	24	46.2	57.9

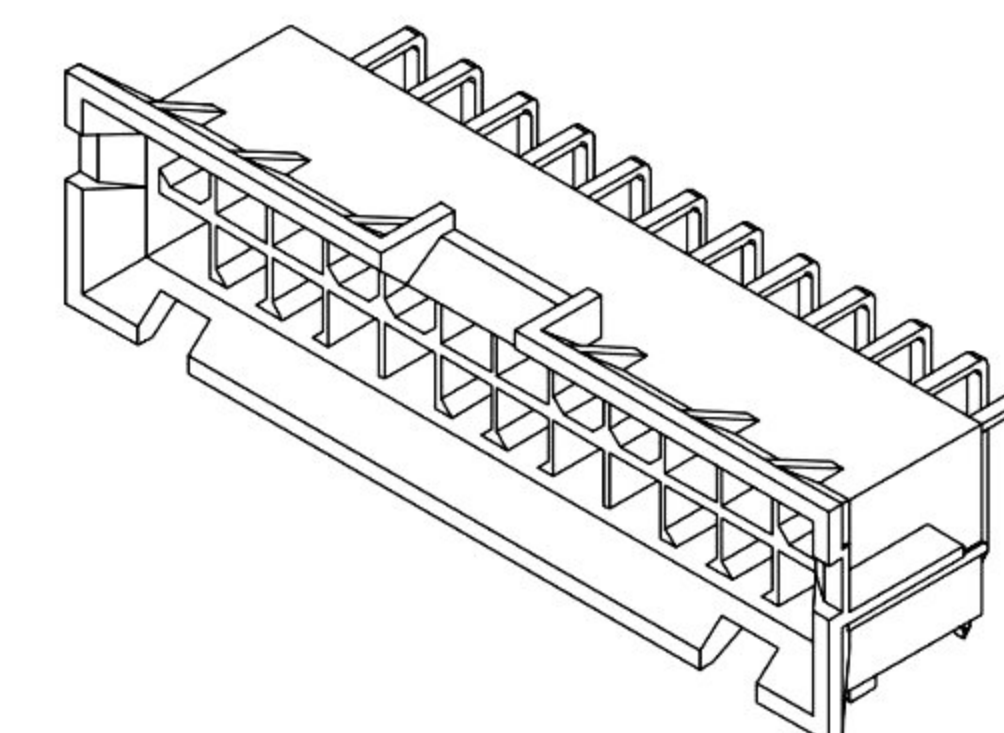
Ordering Information

Part No.	Material
W5151-04PDRTW1R	UL 94V-0



P. C. board hole dimension  
Thick.: .070"(1.78mm) Max.

W5151-24PDRTW1R



RoHS Compliant	<b>HSM 玄茂科技股份有限公司</b> <b>HSUAN MAO TECHNOLOGY CO., LTD.</b>		
	APPD. 核准 HELEN DWG. 製圖 ABBY DATE 制表日 2020/09/11	TOLERANCE 容許公差 .000 ± 0.08 .00 ± 0.25 .0 ± 0.40	PART NAME 品名 MINI FIT BMI(TM) 4.2mm FEMALE WAFER 2XXXP RIGHT ANGLE TYPE W/ LOCATING PEG WHITE COLOR NYLON 66 UL94V-0 ROHS
	SCALE 比例 參考 UNIT 單位 MM PAGE 張數 1 OF 1	SIZE. 紙張尺寸 A 4 REV. 版次 B	PART NO. 料號 W5151-XXPDRTW1R