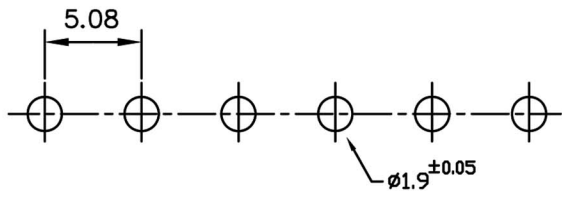
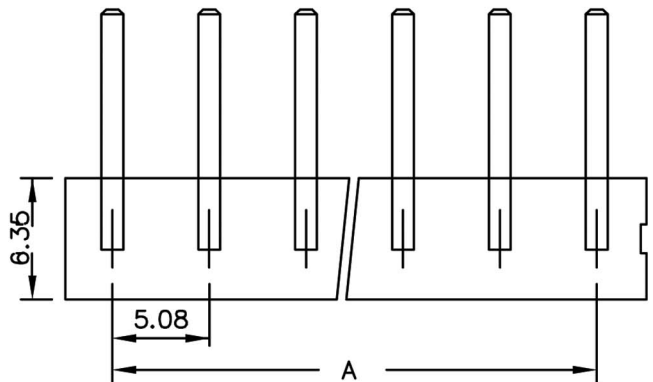


1 2 3 4 5 6 7 8

A
B
C
D
E
F
G
H

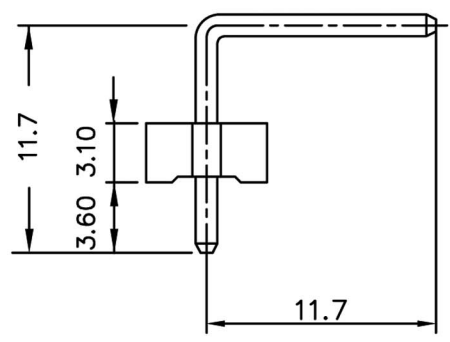
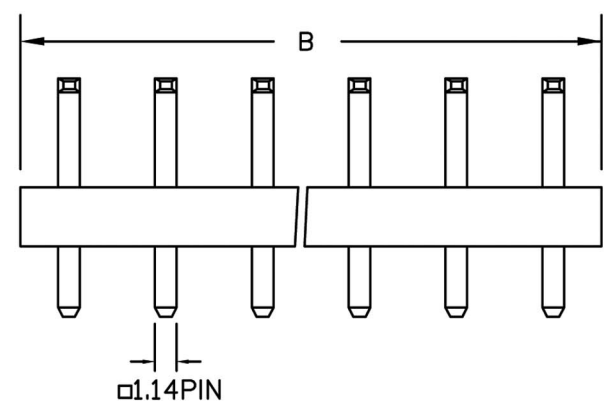


PCB LAYOUT COMPONENT SIDE

SPECIFICATIONS

Electrical
 Current Rating: 7A AC, DC
 Voltage Rating: 250V AC, DC
 Operating Temp.: -25°C ~ +85°C
 Insulation Resistance: 1000MΩ/ min.
 Dielectric Withstanding Voltage: 1500V AC/ min.
 Contact Resistance: 10mΩ/ max.

Material
 Material: Nylon66, UL94V-2



Poles	Dimension mm	
	A	B
2	5.08	10.16
3	10.16	15.24
4	15.24	20.32
5	20.32	25.40
6	25.40	30.48
7	30.48	35.56
8	35.56	40.64
9	40.64	45.72
10	45.72	50.80

APPD. 核准 DWG. 製圖 Hedy DATE 制表日 2010/05/05	SCALE 比例 參考 UNIT 單位 MM PAGE 張數 1 / 1	TOLERANCE 容許公差 XX ± 0.3 XX ± 0.5	PART NAME 品名 2508-8PRT 5.08mm WAFER RIGHT ANGLE TYPE 1XXP W/O LOCKING RIB TIN PLATING WHITE COLOR (V2) ROHS LOW-LEAD
		RoHS Compliant	HSM 玄茂科技股份有限公司 HSUAN MAO TECHNOLOGY CO., LTD.
		SIZE. 紙張尺寸 A 4	PART NO. 料號 W4508-XXPRNTW0R
		REV. 版本 A	

1 2 3 4 5 6 7 8