

## Features:

- 2 ~ 12 circuits available
- Material: LCP
- .0246"(0.625mm) square pin
- Tin-plated brass pin
- Standard color: Black

## Specification:

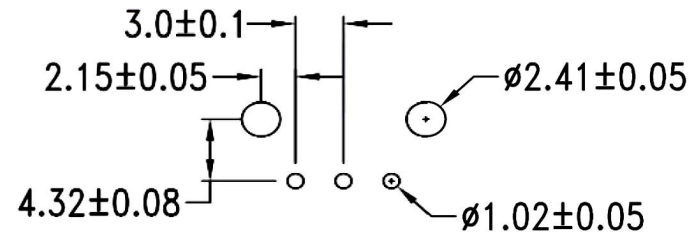
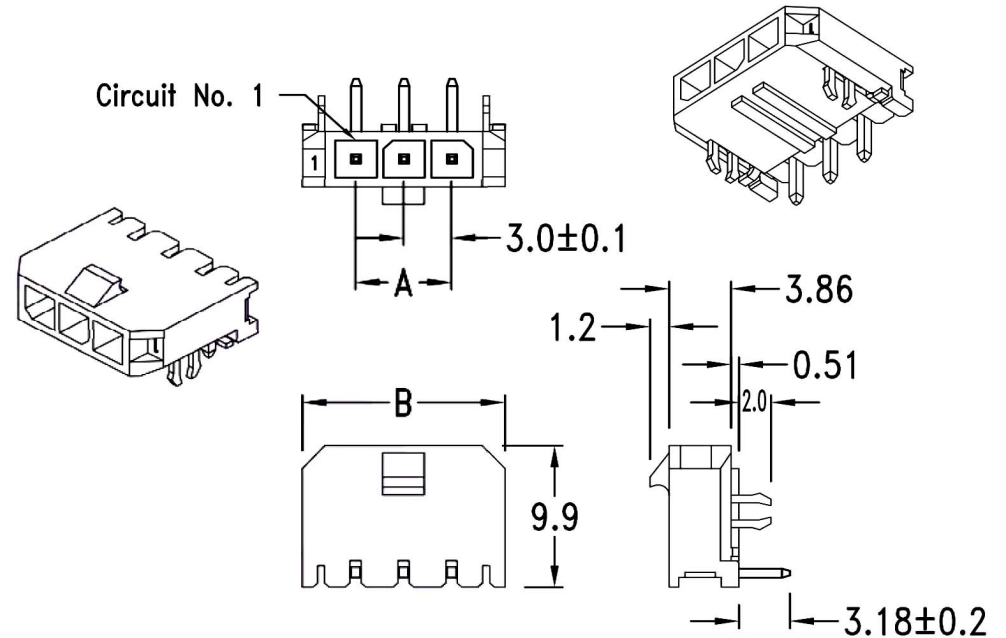
- Current rating:

Wire size	# 20	# 22	# 24	# 26	# 28	# 30
Ampere	5 A	5 A	4 A	3 A	2 A	1 A

- Voltage rating: 250V AC(RMS) or DC
- Contact resistance: 10mΩ Max.
- Dielectric strength: 1500V AC/minute
- Temperature rise: 30°C Max. (carry rated current load)

## Dimensional Information ( mm )

Circuits	Dim. A	Dim. B	Circuits	Dim. A	Dim. B
2	3.0	9.65	8	21.0	27.65
3	6.0	12.65	9	24.0	30.65
4	9.0	15.65	10	27.0	33.65
5	12.0	18.65	11	30.0	36.65
6	15.0	21.65	12	33.0	39.65
7	18.0	24.65			



PCB Layout

RoHS Compliant		<b>玄茂科技股份有限公司</b> <b>HSUAN MAO TECHNOLOGY CO., LTD.</b>	
APPD. 核准	SCALE 比例 参考	UNLESS OTHERWISE SPECIFIED TOLERANCE .000 ± 0.05 ( mm ) .00 ± 0.15 ( mm ) .0 ± 0.25 ( mm )	PART NAME 品名 MICRO-FIT 3.0 SINGLE ROW WAFER 1XXXPIN RIGHT ANGLE TYPE WITH SOLDERABLE RETENTION CLIP CLIP DIP LENGTH:2.0mm TIN PLATING BLACK INSULATOR ROHS
DWG. 製圖 Betty	UNIT 單位 M M	SIZE. 紙張尺寸 A 4	PART NO. 料號 W4230-XXPSGTB0N
DATE 制表日 2019/02/15	PAGE 張數 1 OF 1	REV. 版次 A	