

**Features:**

- Available in 2 thru 24 circuits
- Material: Nylon 94 V0 – HTN or LCP
- .0246”(0.625mm) square pin
- Tin-plated brass pin or Gold Flash
- Standard color: Black

**Specifications:**

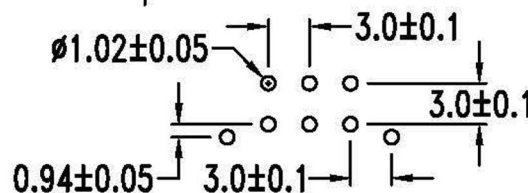
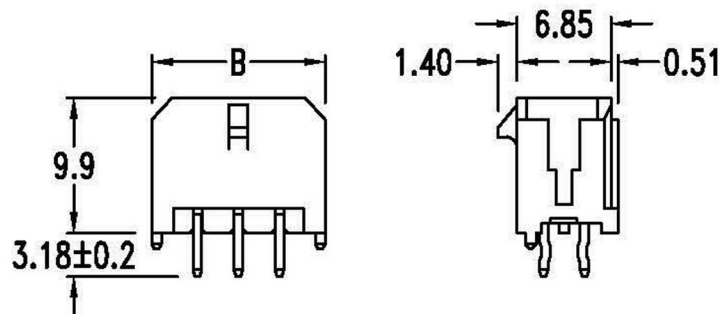
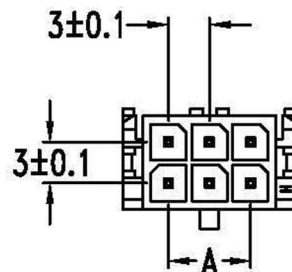
- Current rating:

Wire size	# 20	# 22	# 24	# 26	# 28	# 30
Ampere	5 A	5 A	4 A	3 A	2 A	1 A

- Voltage rating: 250V
- Contact resistance: 10mΩ Max.
- Dielectric strength: 1500V AC/minute
- Temperature rise: 30°C Max.  
(carry rated current load)

**Dimensional Information ( mm )**

Circuits	Dim. A	Dim. B	Circuits	Dim. A	Dim. B	Circuits	Dim. A	Dim. B	Circuits	Dim. A	Dim. B	Circuits	Dim. A	Dim. B	Circuits	Dim. A	Dim. B
2		6.7	6	6.0	12.65	10	12.0	18.65	14	18.0	24.65	18	24.0	30.65	22	30.0	36.65
4	3.0	9.65	8	9.0	15.65	12	15.0	21.65	16	21.0	27.65	20	27.0	33.65	24	33.0	39.65



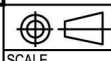
PCB Layout: Component side

Recommended PCB thickness:.062”(1.57mm)

**RoHS  
Compliant**

**HSM 玄茂科技股份有限公司**  
**HSUAN MAO TECHNOLOGY CO., LTD.**

APPD.  
核准



TOLERANCE  
.000 ± 0.05  
.00 ± 0.15  
.0 ± 0.25

PART NAME 品名

MICRO-FIT 3.0 DOUBLE ROW  
WAFER 2X11P STRAIGHT BLACK INSULATOR  
MATERIAL:LCP ROHS

DWG.  
製圖

Hedy

SCALE  
比例 參考

UNIT  
單位 MM

SIZE.  
紙張尺寸 A 4

DATE 制表日

2018/10/08

PAGE  
張數 1 / 1

REV.  
版次 A

PART NO.

料號 W4230-XXPDSXB0N