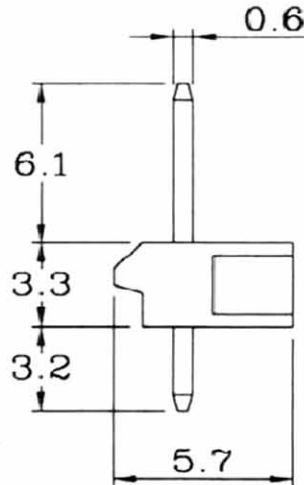
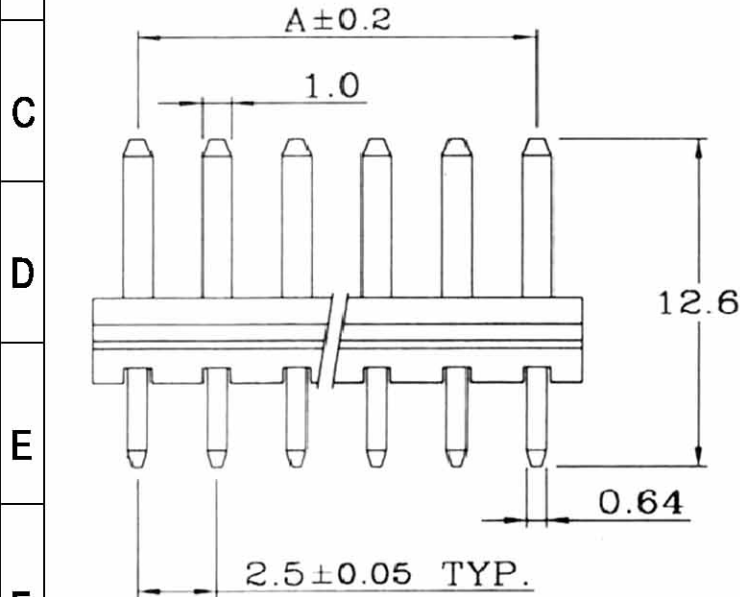


P.C.B. LAYOUT

SPECIFICATION:
 PITCH BETWEEN POLES : 2.5mm
 CURRENT RATING : 3A
 VOLTAGE RATING : 250V
 CONTACT RESISTANCE : INITIAL VALUE/10MΩ MAX
 AFTER ENVIRONMENTAL TESTING/20MΩ MAX
 INSULATION RESISTANCE : 500MΩ(min.)
 WITHSTAND VOLTAGE : 1000V AC/MINUTE
 TEMPERATURE RANGE : -25°C TO +85°C

FEATURES:
 AVAILABLE NUMBER OF CIRCUITS 2 TO 20
 MATERIAL : NYLON 66 UL94V-0
 CONTACT:0.64mm(.25") SQUARE PIN, BRASS,
 TIN PLATED



Dimensional and Order information

Poles	DIM:(mm).		Poles	DIM:(mm)	
	A			A	
2	2.50		12	27.50	
3	5.00		13	30.00	
4	7.50		14	32.50	
5	10.00		15	35.00	
6	12.50		16	37.50	
7	15.00		17	40.00	
8	17.50		18	42.50	
9	20.00		19	45.00	
10	22.50		20	47.50	
11	25.00				

ORDER INFORMATION

W2670 - [XX] [P] [S] [X] [W] [O] [O] [R]
 1 2 3 4 5 6 7 8

- | | | |
|---|--------------------------------------|--------------------|
| 1.CONTACT NO:
02 ~ 20 | 4.CONTACT PLATING:
T : TIN | 6.FILL IT WITH "O" |
| 2.CONTACT TYPE:
P : NON DISTRIBUTION | S : SELECTIVE GOLD
G : GOLD FLASH | 7.FILL IT WITH "O" |
| 3.FUNCTION:
S : STRAIGHT | 5.INSULATOR COLOR:
W : WHITE | 8.ROHS LOW-LEAD |

RoHS
Compliant

HSM 玄茂科技股份有限公司
HSUAN MAO TECHNOLOGY CO., LTD.

APPD. 核准 Betty	TOLERANCE 容許公差 .000 ±0.08 .00 ±0.13 0 : ±0.25	PART NAME 品名 JST NH 2.5mm WAFER XXP 180° WHITE INSULATOR ROHS LOW-LEAD
DWG. 製圖 Jolin		
DATE 制表日 2006/09/19	SCALE 比例 參考	PART NO. 料號 W2670-XXPSXWOOR
	UNIT 單位 MM	
	PAGE 張數 1 OF 1	
	REV. 版本 A	