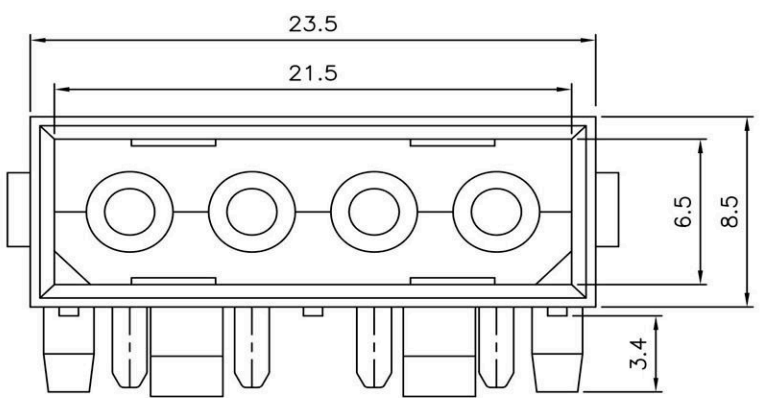


1 2 3 4 5 6 7 8

A

A



**WAFER** **RoHS COMPLIANT**

Poles: 4  
 Material: Post: Brass, Tin/Plated  
 Base: Nylon 66, UL94V-2

**SPECIFICATIONS**

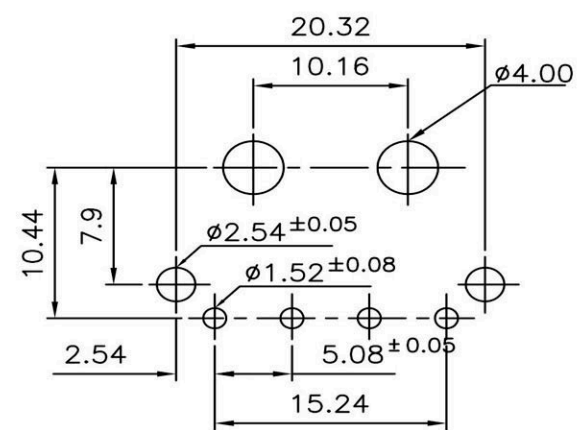
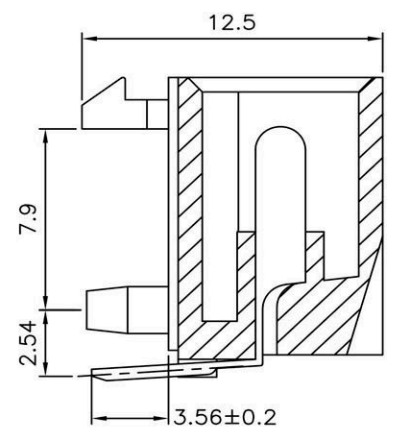
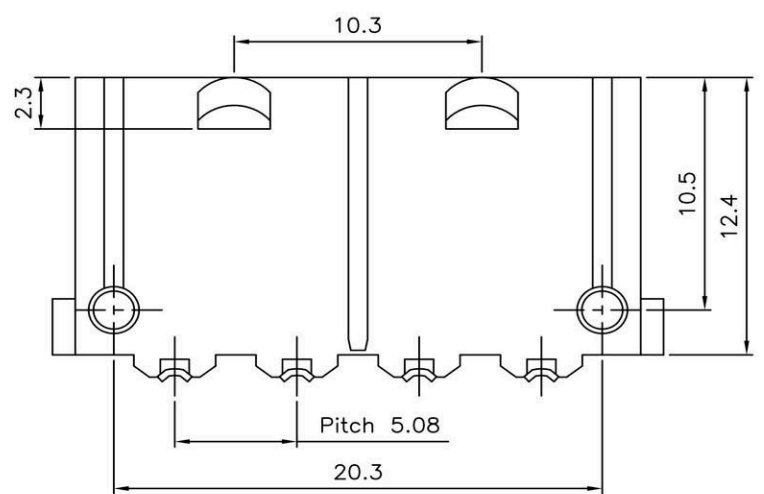
Accepts cantilever crimp terminal  
 Housing Nylon 66 (UL94V-2)  
 Mates with 0.084" (2.13mm) crimp terminal housing  
 Terminal Retention to housing—8lbs (3.63kg) min.  
 Voltage: rating: AC, DC, 250V  
 Current rating: 7A, AC, DC  
 Withstand voltage: 1500V AC/minute  
 Insulation resistance: 1000MΩ min  
 Temperature range: -25°C ~ +90°C  
 Contact resistance: Initial Valueable/10mΩ max.  
 After environmental testing/20mΩ max.

B

B

C

C



P C B H O L E L A Y O U T

D

D

E

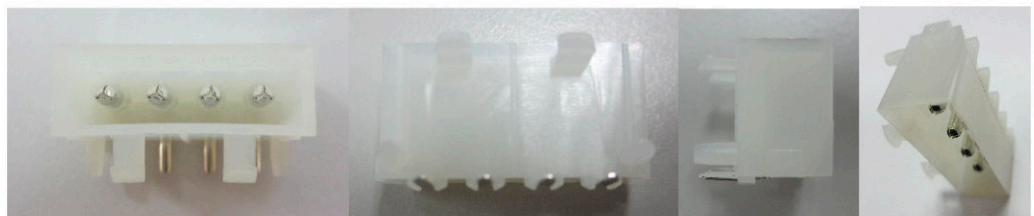
E

F

F

G

G



RoHS Compliant		<b>HSM</b> 玄茂科技股份有限公司 HSUAN MAO TECHNOLOGY CO., LTD.	
APPD. 核准 Helen		TOLERANCE 容許公差 0 ± 0.25 .00 ± 0.15 ANG. ± 3°	PART NAME 品名 5.08mm POWER PLUG 4P RIGHT ANGLE TYPE TIN PLATED WHITE COLOR ROHS
DWG. 製圖 ABBY	SCALE 比例 參考	UNIT 單位 MM	PART NO. 料號 W2470-04PRTW00R
DATE 制表日 2014/10/01	PAGE 張數 1 OF 1	REV. 版本 B	

H

H

1 2 3 4 5 6 7 8