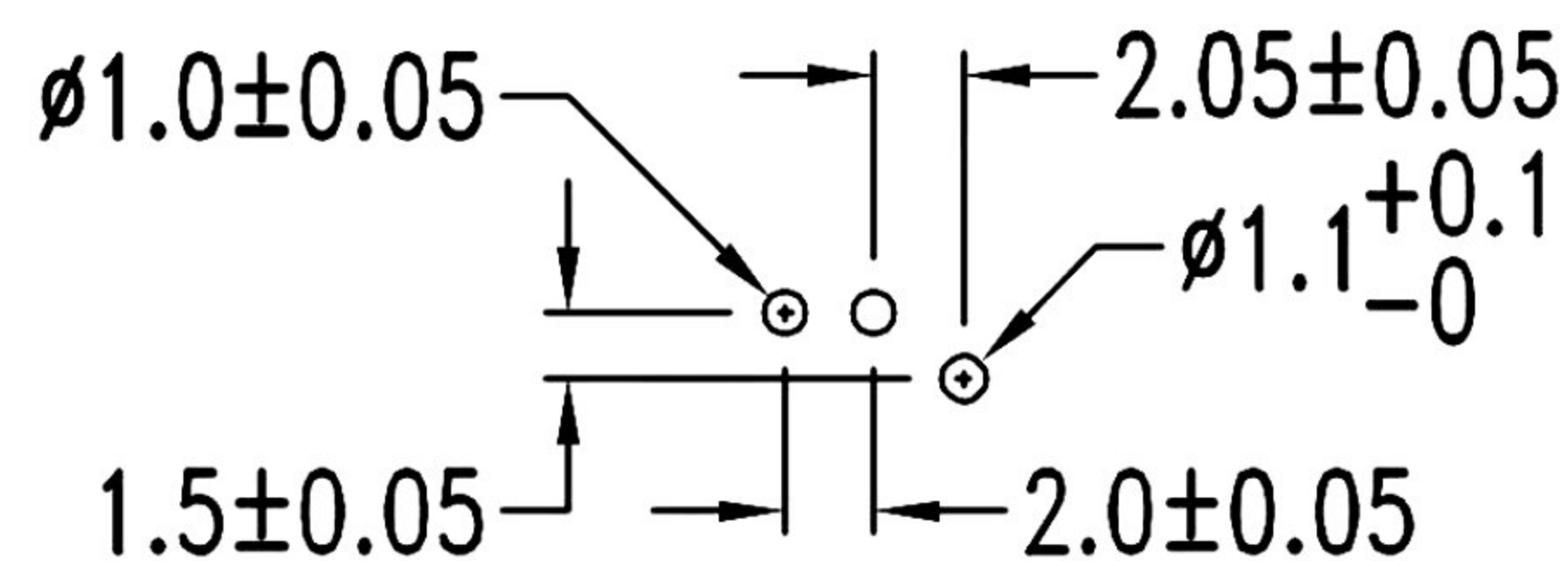
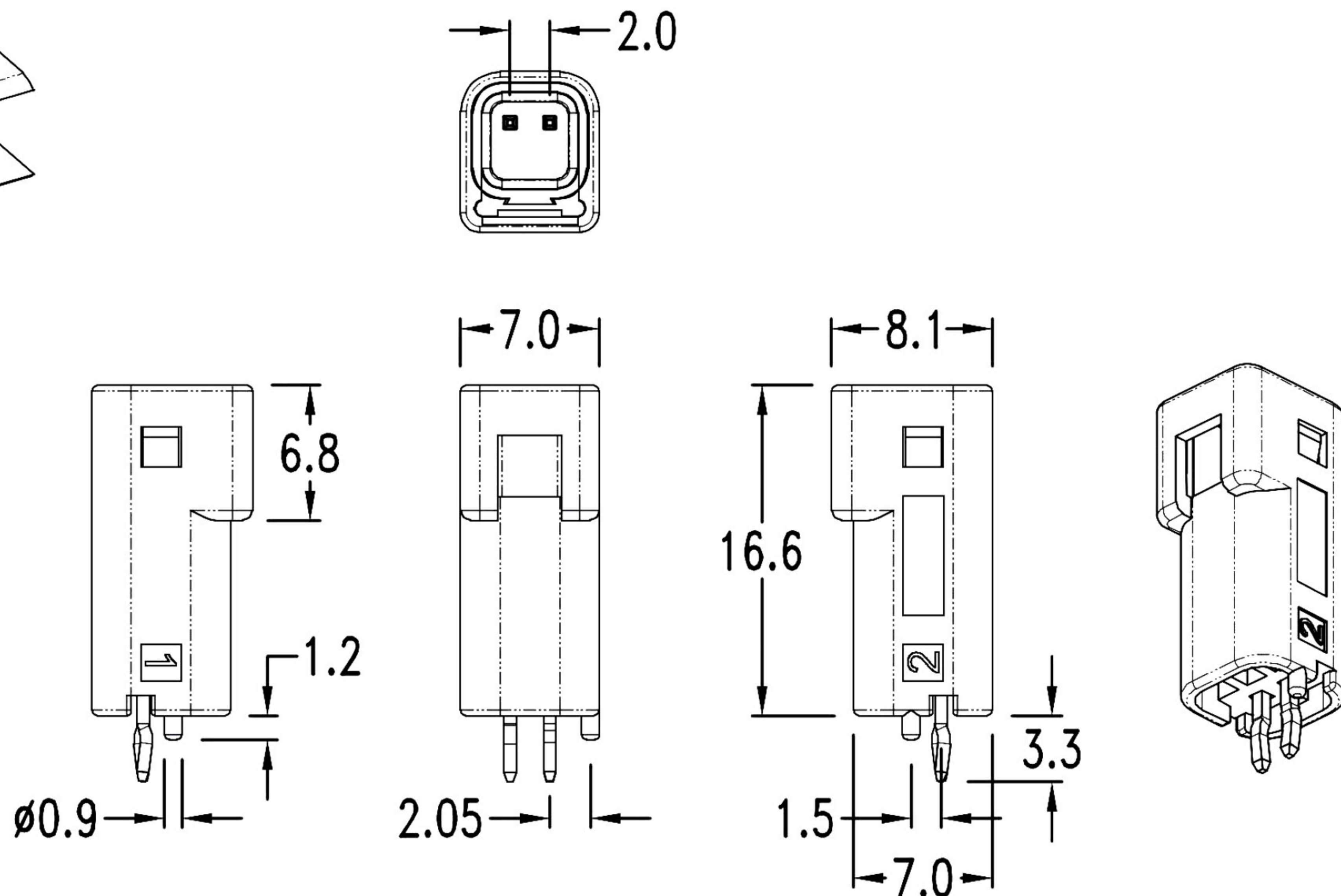


Features:

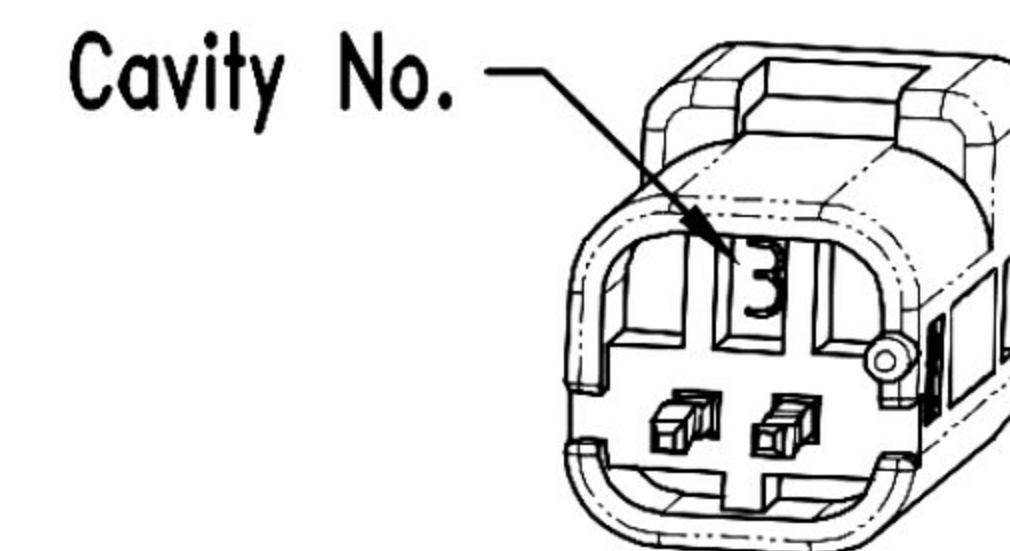
- Body: PBT + 15%GF, White
- Cover: PBT + 15%GF, Orange
- Waterproof ring: Oil silicone, Blue
- Contact: Brass
- Finished: Tin-plated 100u" over nickel 30u"
- .0246"(0.625mm) square pin
- Inner-housing lock construction
- Disconnectable crimp style

Specification:

- Current rating: 3A AC, DC (#22 AWG)
- Voltage rating: 250V AC, DC
- Insulation resistance: 1000MΩ Min.
- Dielectric withstanding voltage: 1500V AC/minute
- Ambient temperature range: -40°C ~ 105°C
(Including temperature rise)



Recommended P. C. board layout



RoHS Compliant		HSM 玄茂科技股份有限公司 HSUAN MAO TECHNOLOGY CO., LTD.	
APPD. 核准 HELEN	SCALE 比例 參考	TOLERANCE 容許公差 .000 ± 0.1 .00 ± 0.25 .0 ± 0.4	PART NAME 品名 2.0MM WATERPROOF WAFER 2PIN STRAIGHT TYPE(KINK FOOT) TIN PLATING BODY MATERIAL:PBT BODY COLOR:WHITE COLOR BAG PACKING ROHS
DWG. 製圖 ABBY		UNIT 單位 MM	SIZE. 紙張尺寸 A 4
DATE 制表日 2023/01/16	PAGE 張數 1 OF 1	REV. 版次 A	PART NO. 料號 W2016-02PKTPWGR