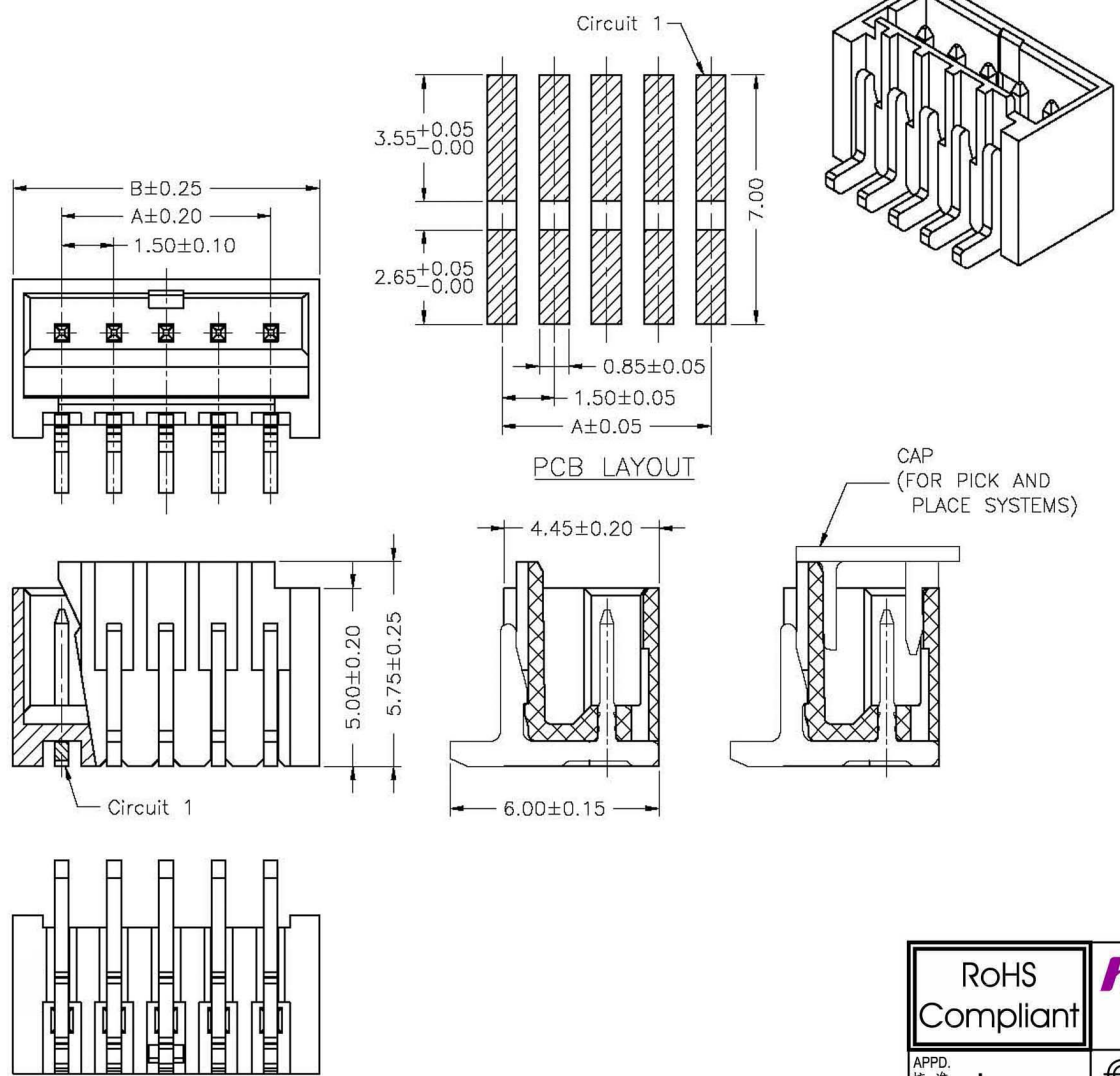


1 2 3 4 5 6 7 8

A
B
C
D
E
F
G
H



SPECIFICATIONS
 Current Rating: 3A AC,DC
 Voltage Rating: 350V AC,DC
 Temperature Range: -25°C ~ +85°C
 Contact Resistance: 20mΩ Max.
 Insulation Resistance: 1000MΩ Min.
 Withstanding Voltage: 500V AC/minute
 Pin Material: Brass/Tin-plated
 Material: Nylon 6T,UL94V-0
 Color: Ivory

Dimensions

| CONTACT NO. | Dimensions | |
|-------------|------------|-------|
| | A | B |
| 2 PIN | 1.50 | 4.30 |
| 3 PIN | 3.00 | 5.80 |
| 4 PIN | 4.50 | 7.30 |
| 5 PIN | 6.00 | 8.80 |
| 6 PIN | 7.50 | 10.30 |
| 7 PIN | 9.00 | 11.80 |
| 8 PIN | 10.50 | 13.30 |
| 9 PIN | 12.00 | 14.80 |
| 10 PIN | 13.50 | 16.30 |
| 11 PIN | 15.00 | 17.80 |
| 12 PIN | 16.50 | 19.30 |
| 13 PIN | 18.00 | 20.80 |
| 14 PIN | 19.50 | 22.30 |
| 15 PIN | 21.00 | 23.80 |

| | | | |
|-------------------------------|-------------------|--|---|
| RoHS Compliant | | HSM 玄茂科技股份有限公司 HSUAN MAO TECHNOLOGY CO., LTD. | |
| APPD. 核准 Ivy | SCALE 比例 参考 | TOLERANCE 容許公差 .0 ± 0.25 .00 ± 0.15 ANG. ± | PART NAME 品名 1.50mm WAFER 1X2P SMT TYPE 180°TIN PLATING IVORY COLOR PACKING ROHS LOW-LEAD |
| DWG. 製圖 Yumi | UNIT 單位 M M | SIZE. 紙張尺寸 A 4 | PART NO. 料號 W1601-XXPATX10R |
| DATE 制表日 2008/01/15 | PAGE 張數 1 OF 1 | REV. 版次 B | |

1 2 3 4 5 6 7 8