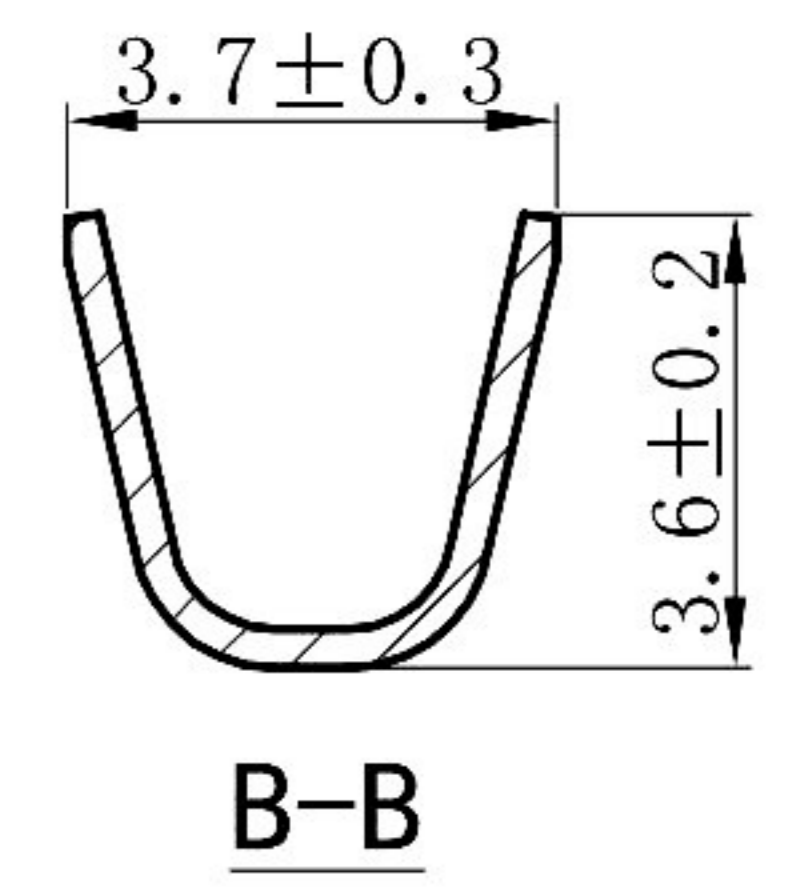
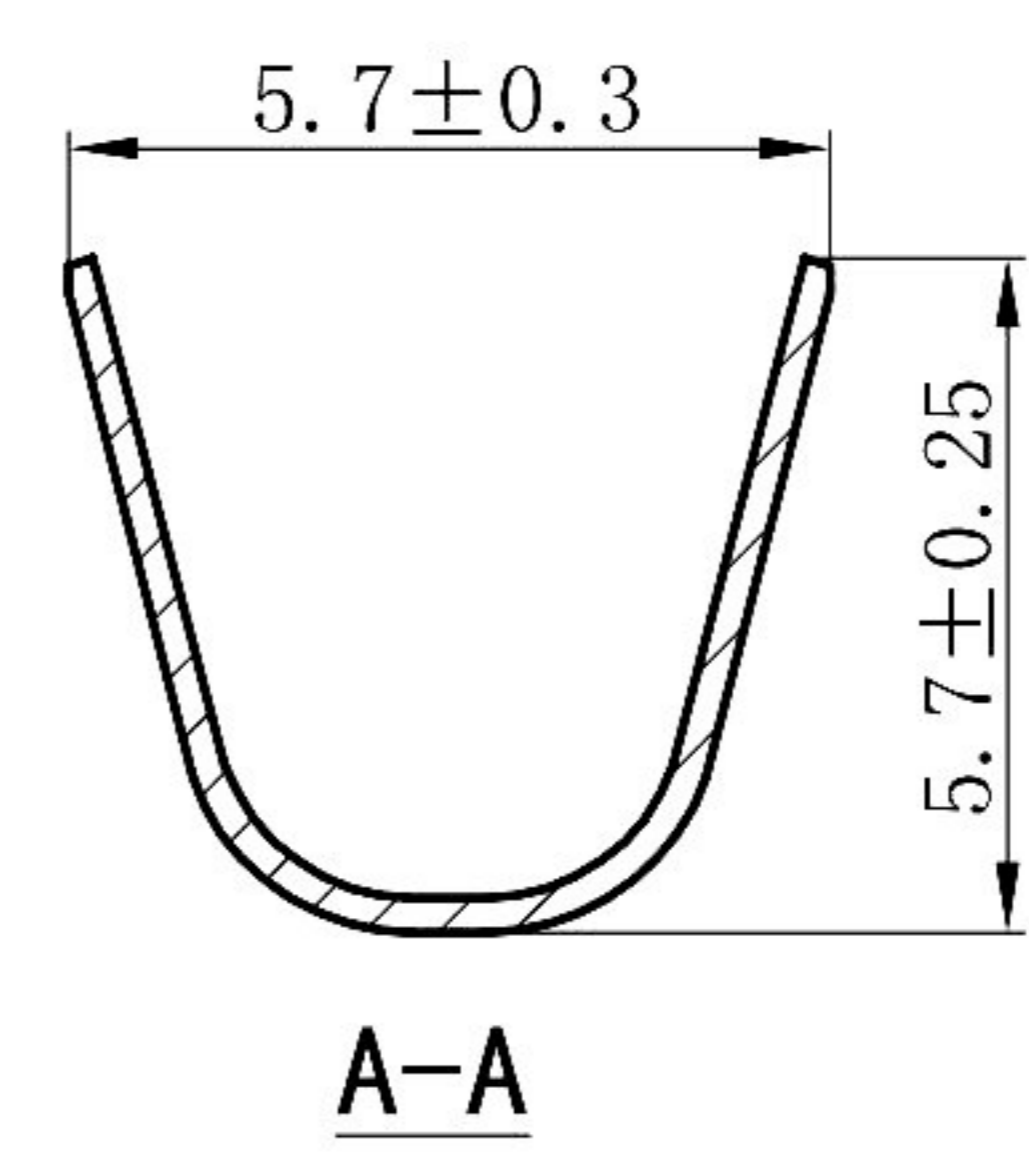
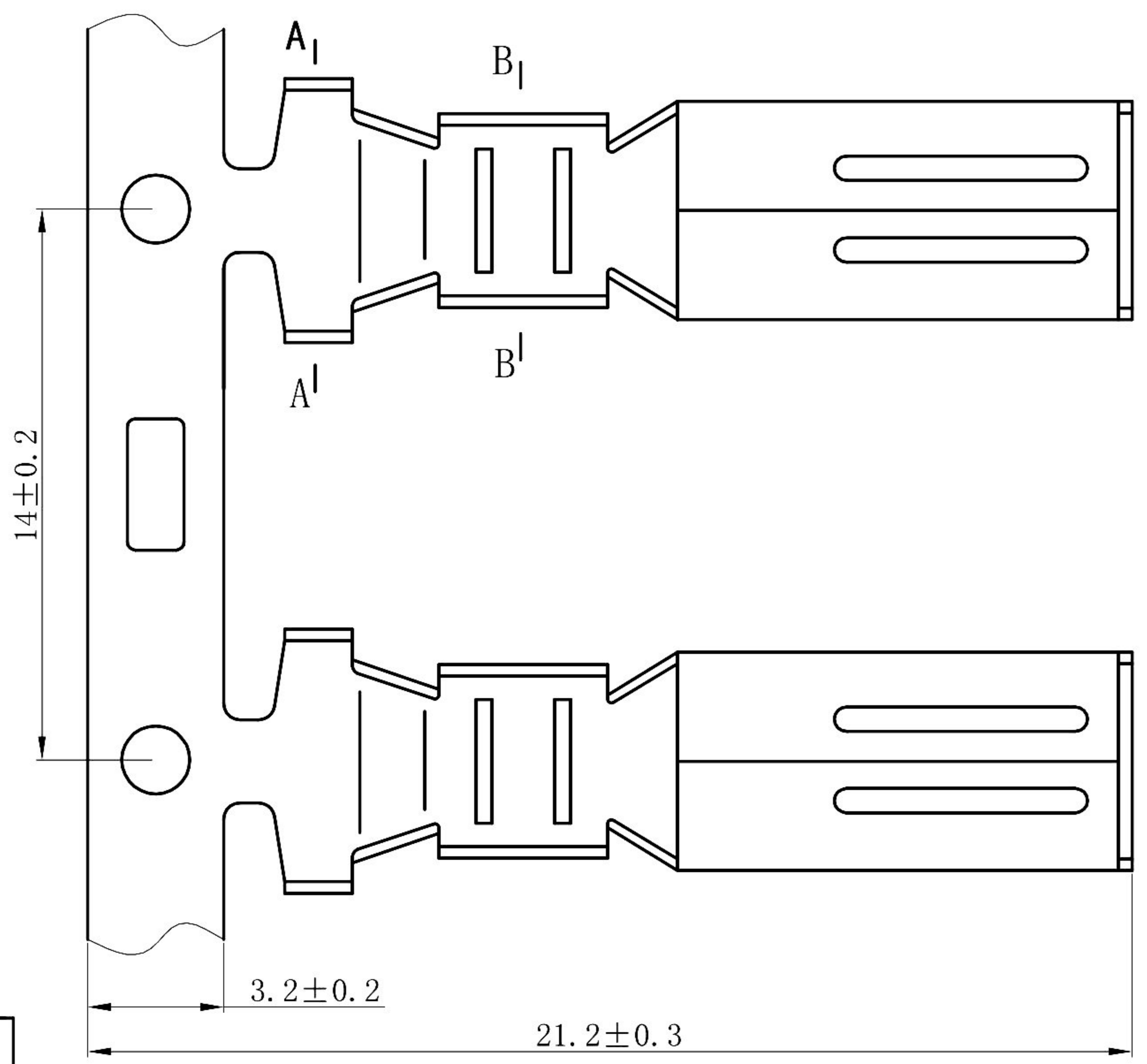
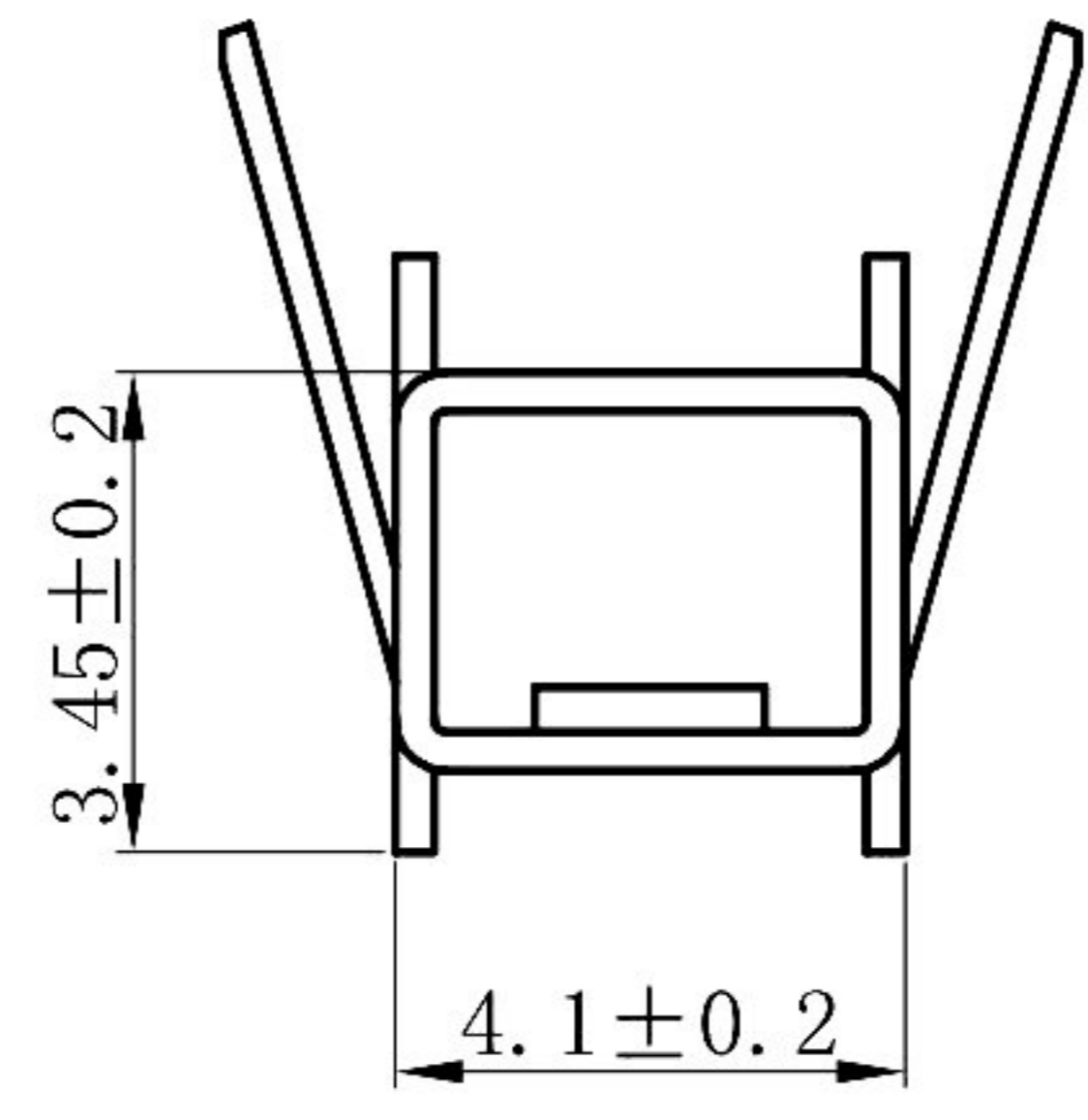
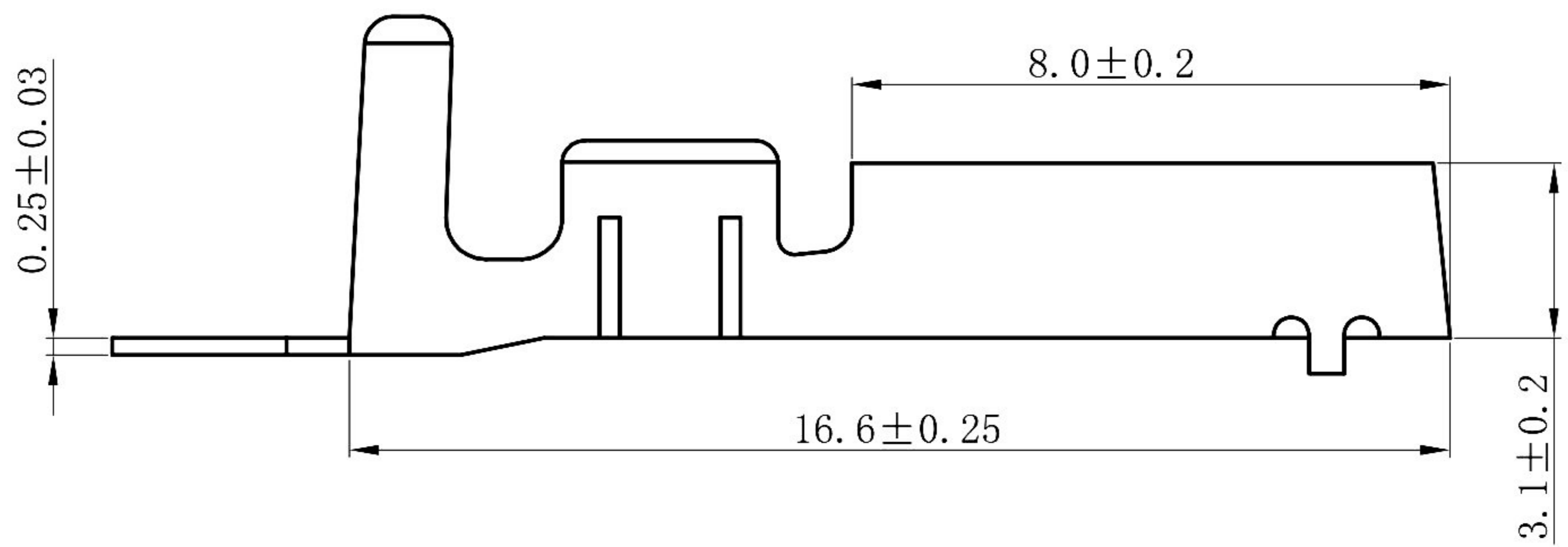


1 2 3 4 5 6 7 8

A
B
C
D
E
F
G
H

A
B
C
D
E
F
G
H



Specification:

- 1、Material: Phosphor Bronze (QSn6.5-0.1/C5191)
- 2、Environmental Protection: RoHS2.0 REACH
- 3、Surface Plating: NiSn
- 4、Contact resistance: $\leq 10m\Omega$
- 5、Applicable wires: 18AWG#~14AWG# / $0.75mm^2 \sim 2.0mm^2$

UNTOLERANCE TABLE	
≤ 3	± 0.1
≤ 10	± 0.2
≤ 20	± 0.3
≤ 35	± 0.4
≤ 50	± 0.5
≤ 75	± 0.6
≤ 100	± 0.8
ANGLE	$\pm 5^\circ$

Rated Voltage	300V AC/DC	
Rated Voltage	Applicable wires	Current AC
	18AWG#	7A
	16AWG#	10A
	14AWG#	15A

RoHS Compliant

HSM 玄茂科技股份有限公司
HSUAN MAO TECHNOLOGY CO., LTD.

APPD. 核准 HELEN
DWG. 製圖 ABBY
DATE 制表日 2022/02/14

TOLERANCE 容許公差
SCALE 比例 參考
UNIT 單位 MM
PAGE 張數 1 OF 1
REV. 版次 B

PART NAME 品名
6.2MM FEMALE TERMINAL
MATERIAL: PHOSPHOR BRONZE
TIN PLATING 14~18AWGROHS
PART NO. 料號 T6211-TPA00000R

1 2 3 4 5 6 7 8