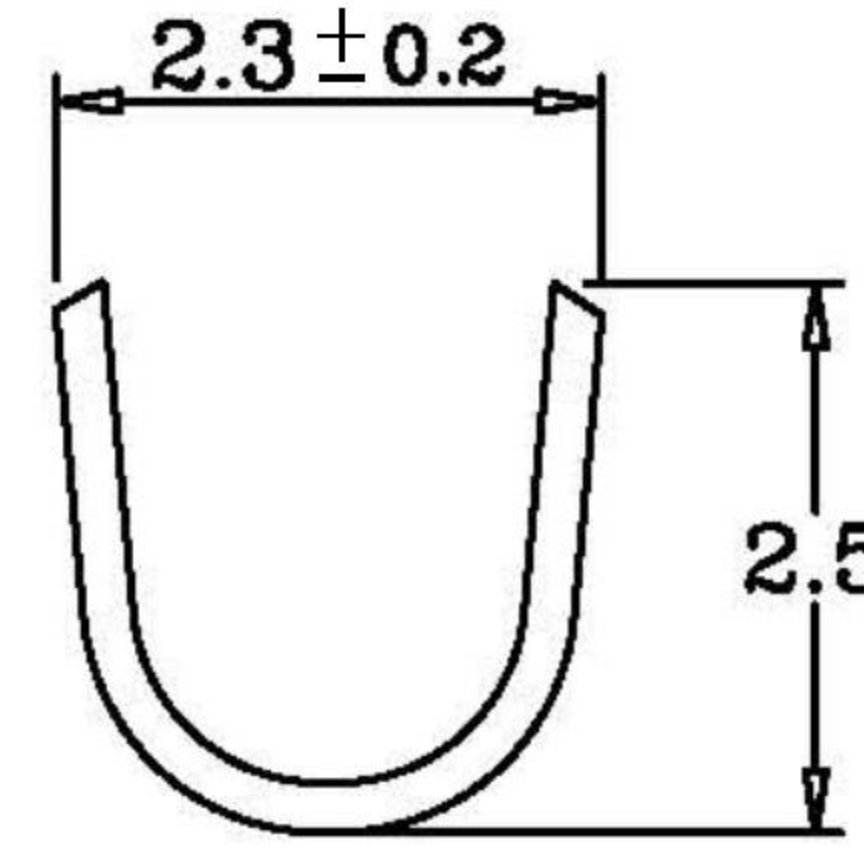
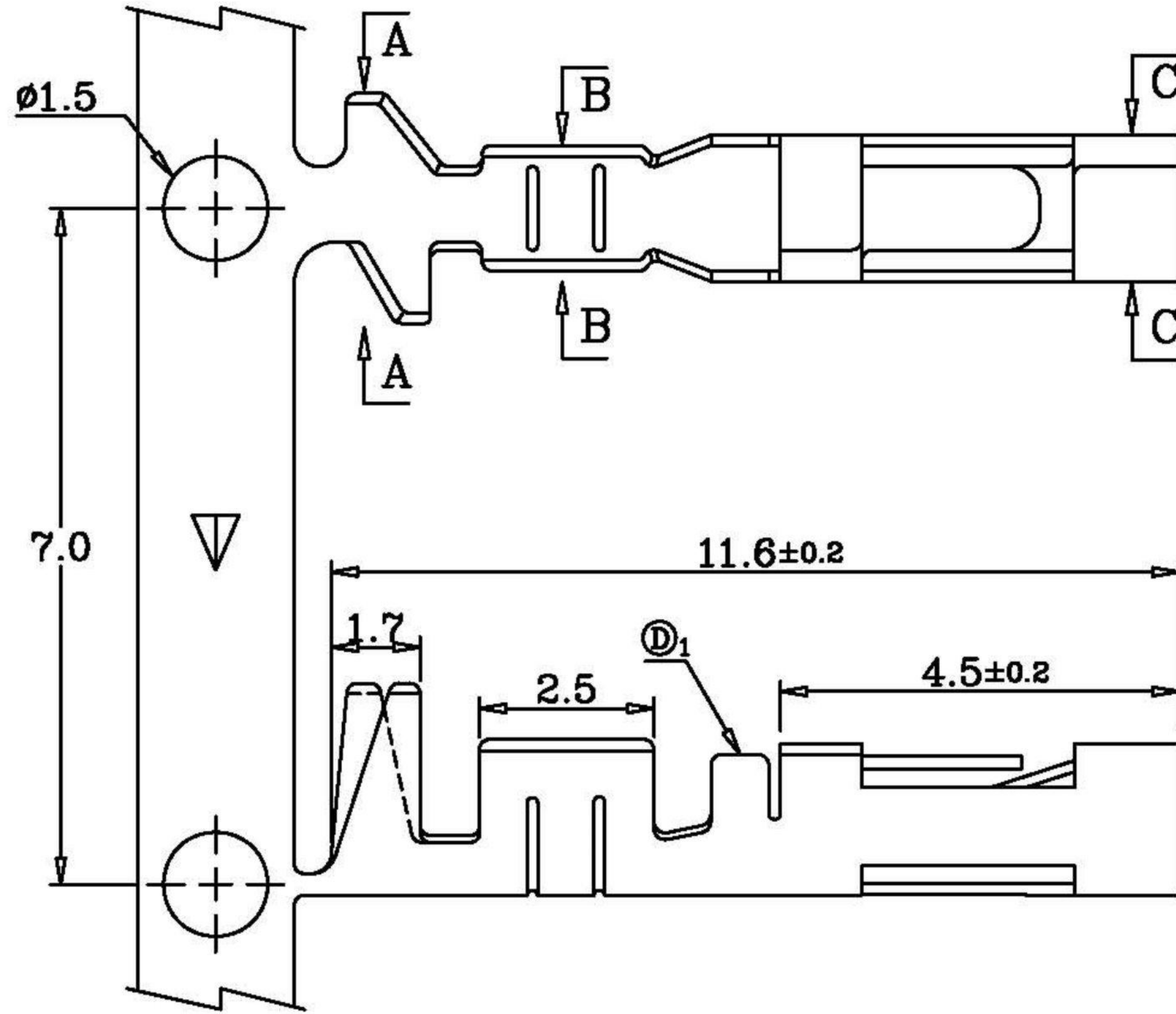
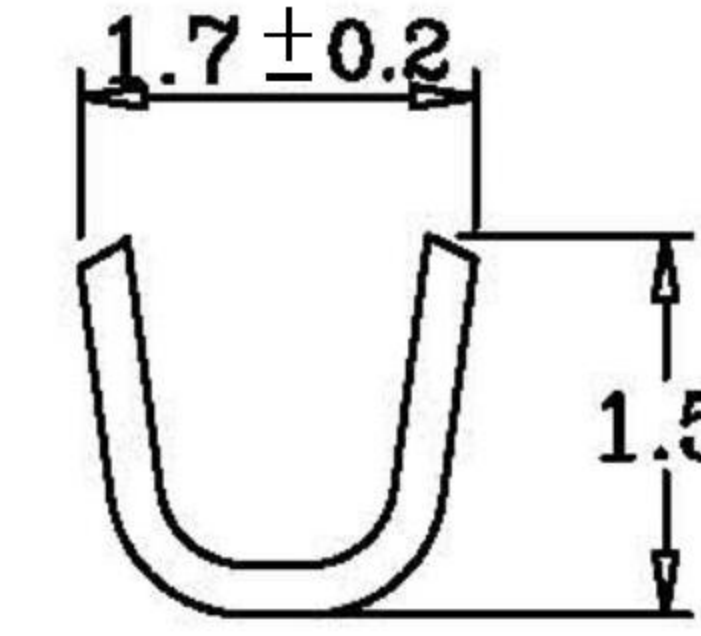


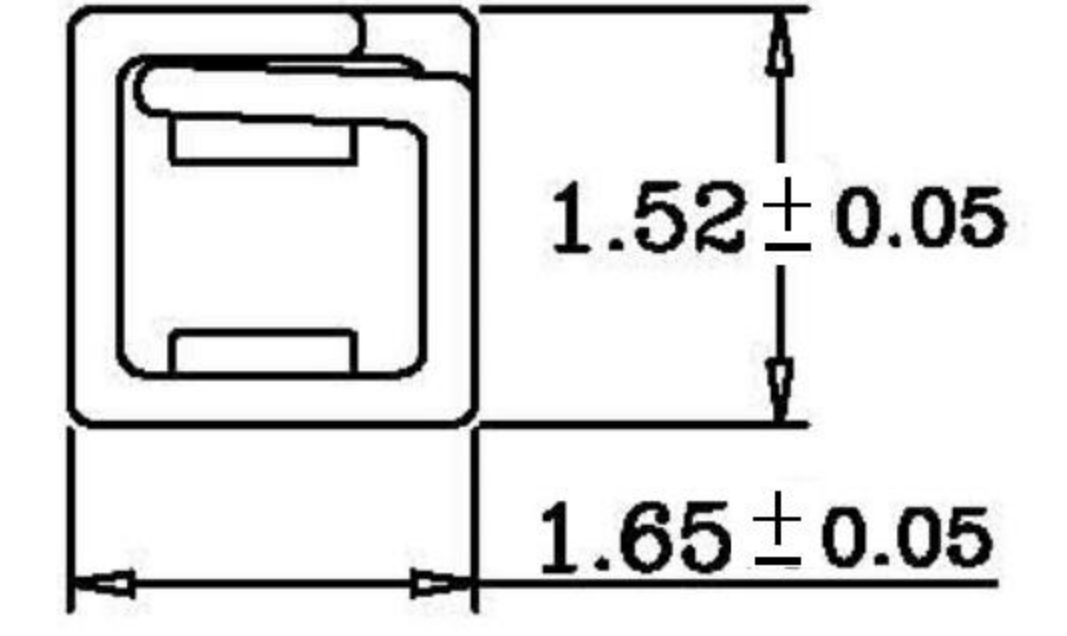
2.54mm (.100") Pitch Crimp Terminal



Section A-A



Section B-B



Section C-C

T 4000 - S F B A J 0 0 0 R

- | | | |
|---|---|---|
| 1. PRODUCTS:
T:Terminal | 5. MATERIAL:
B:Brass | 7. WIRE OPTION:
I:Suitable For
22-26 Awg
J:Suitable For
22-28 Awg |
| 2. SERIES NO.:
4000 | 6. TERMINAL OPTION:
A:Female Terminal for
1x1P-1x14P/2x1P-2x7P
B:Female Terminal for
1x15P-1x30P/2x8P-2x29P | 8. FILL IT WITH "0" |
| 3. CONTACT PLATING:
T: Tin
S: Selective Gold
G: Gold Flash | 4. CONTACT TYPE:
F: Female | 9. FILL IT WITH "0" |
| | | 10. FILL IT WITH "0" |
| | | 11. R: ROHS |

Specifications & Ordering Information:

Thickness	Material	Wire Range	Insulation O.D.	Finish	Qty/reel
0.2	Brass	AWG #22~28	1.6-1.2 mm	Gold Flash	10,000PCS
0.2	Brass	AWG #22~28	1.6-1.2 mm	Pre. Tin-Plated	10,000PCS

RoHS Compliant **HSM** 玄茂科技股份有限公司
HSUAN MAO TECHNOLOGY CO., LTD.

APPD. 核准 HELEN	TOLERANCE 容許公差 .000 : ±0.08 .00 : ±0.13 .0 : ±0.25	PART NAME 品名 2.54mm TERMINAL BRASS MATERIAL SUITABLE AWG22~28 1R=10K PCS (1X15P~1X30P/2X8P~2X29P USE THIS TYPE) ROHS
DWG. 製圖 ABBY	SCALE 比例 參考	PART NO. 料號 T4000-XFBBJ000R
UNIT 單位 MM	SIZE 紙張尺寸 A 4	
DATE 制表日 2011/12/21	PAGE 張數 1 OF 1	REV. 版次 A