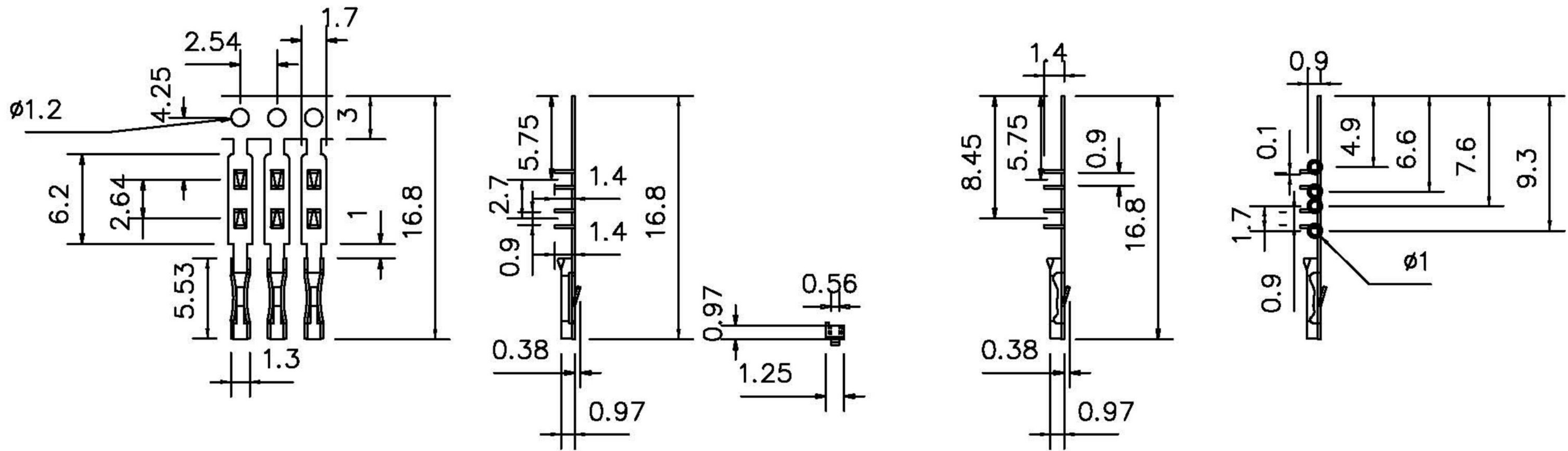


- Accepts 2.54mm pitch Flexible Flat Cable.
- Material : Brass[C-2680]
- Thickness : 0.2mm
- Finish : Tin Plated
- Qty/Reel : 50,000pcs/Reel



RoHS Compliant		<b>HSM</b> 玄茂科技股份有限公司 HSUAN MAO TECHNOLOGY CO., LTD.	
APPD. 核准 HELEN	SCALE 比例 參考	TOLERANCE 容許公差 .0 ±0.20 .00 ±0.10 ANG. ±	PART NAME 品名 2.54mm CRIMP CONTACTS 6 CLIP FEMALE TERMINAL BRASS TIN PLATED SUITABLE FOR 28-30AWG 50K/ROLL ROHS
DWG. 製圖 ABBY		UNIT 單位 MM	SIZE. 紙張尺寸 A4
DATE 制表日 2012/10/17	PAGE 張數 1 OF 1	REV. 版次 A	PART NO. 料號 T2547-TFBS0000R