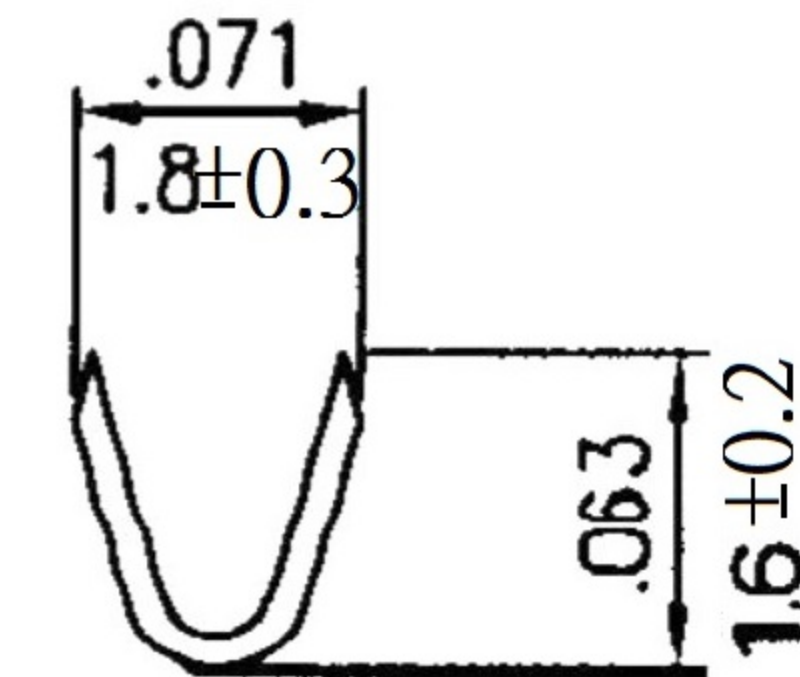
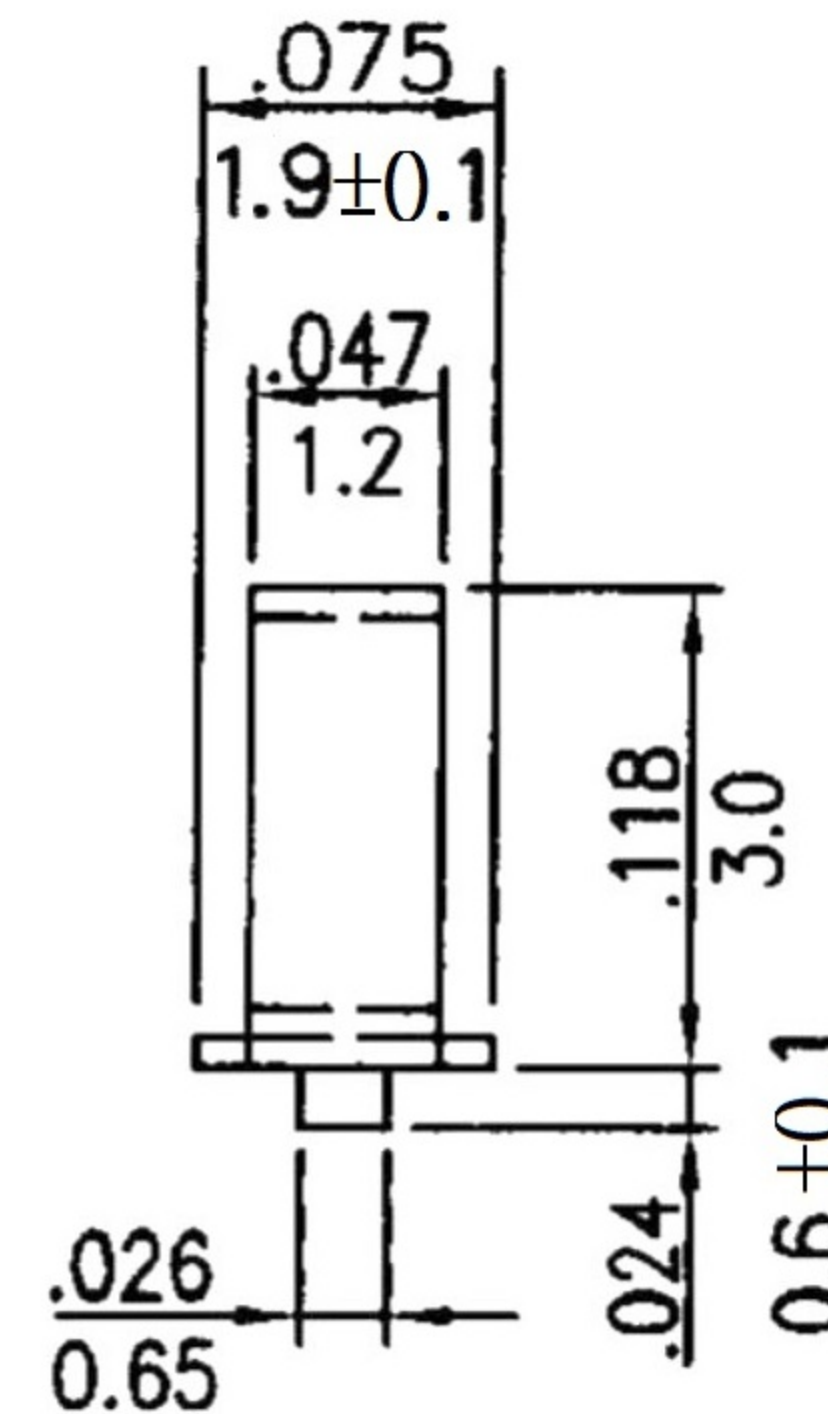


A-A SECTION



B-B SECTION



- \* Material: Brass
- \* Finished: Tin-plated
- \* Wire range: AWG#22~#28
- \* Insulation O.D: 1.50mm(max)
- \* Thickness: 0.2mm
- \* Q'TY: 10,000pcs/reel

RoHS Compliant		<b>HSM</b> 玄茂科技股份有限公司 HSUAN MAO TECHNOLOGY CO., LTD.	
APPD. 核准 HELEN		TOLERANCE 容許公差 .0 ± .00 ± ANG ±	PART NAME 品名 2.54mm TERMINAL BRASS MATERIAL TIN PLATING AWG22~28 1ROLL=10000PCS ROHS
DWG. 製圖 ABBY	SCALE 比例 參考	SIZE. 紙張尺寸 A4	PART NO. 料號 T2415-TBEJ0000R
DATE 制表日 2013/12/25	UNIT 單位 MM PAGE 張數 1 OF 1	REV. 版次 A	