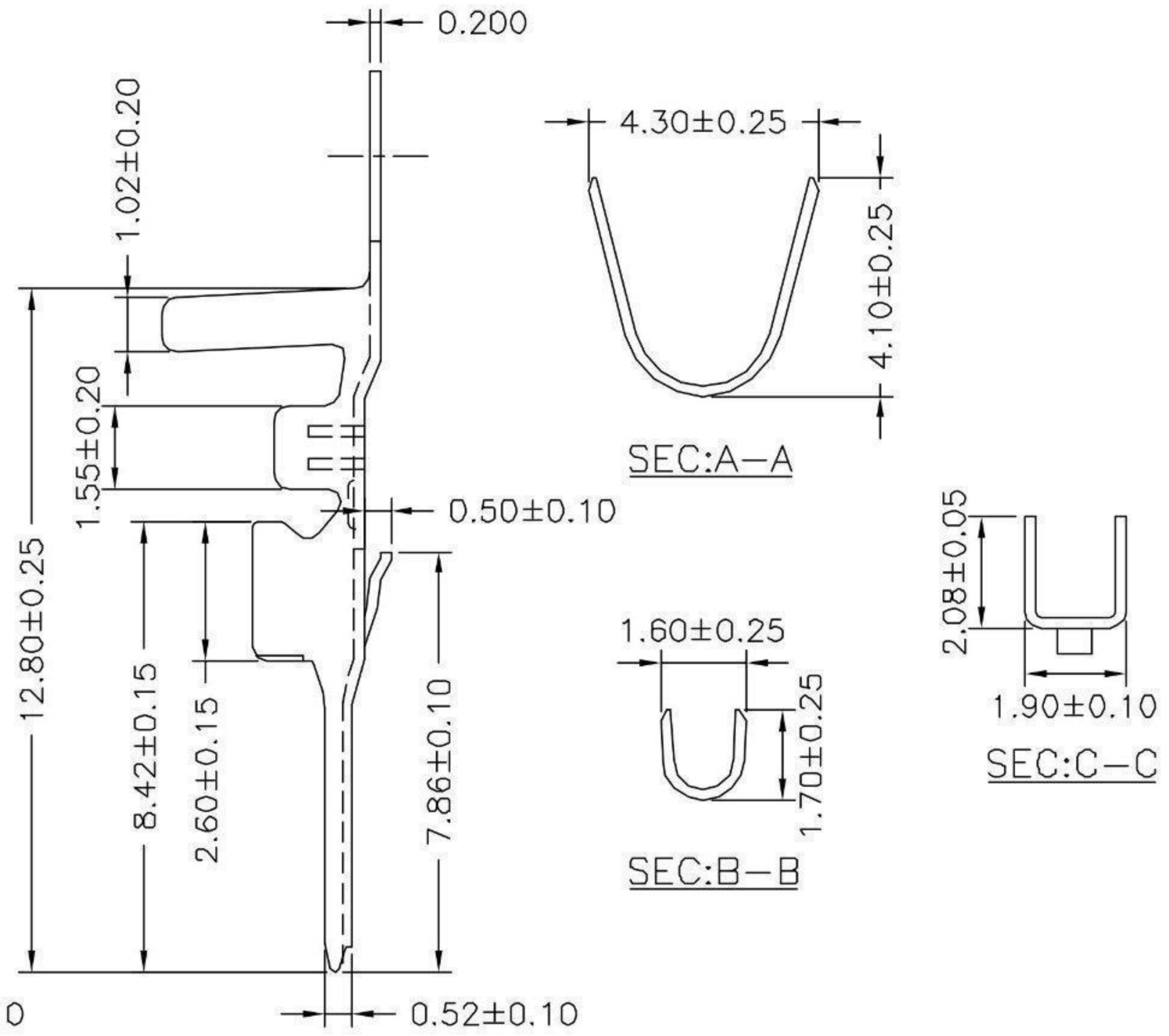
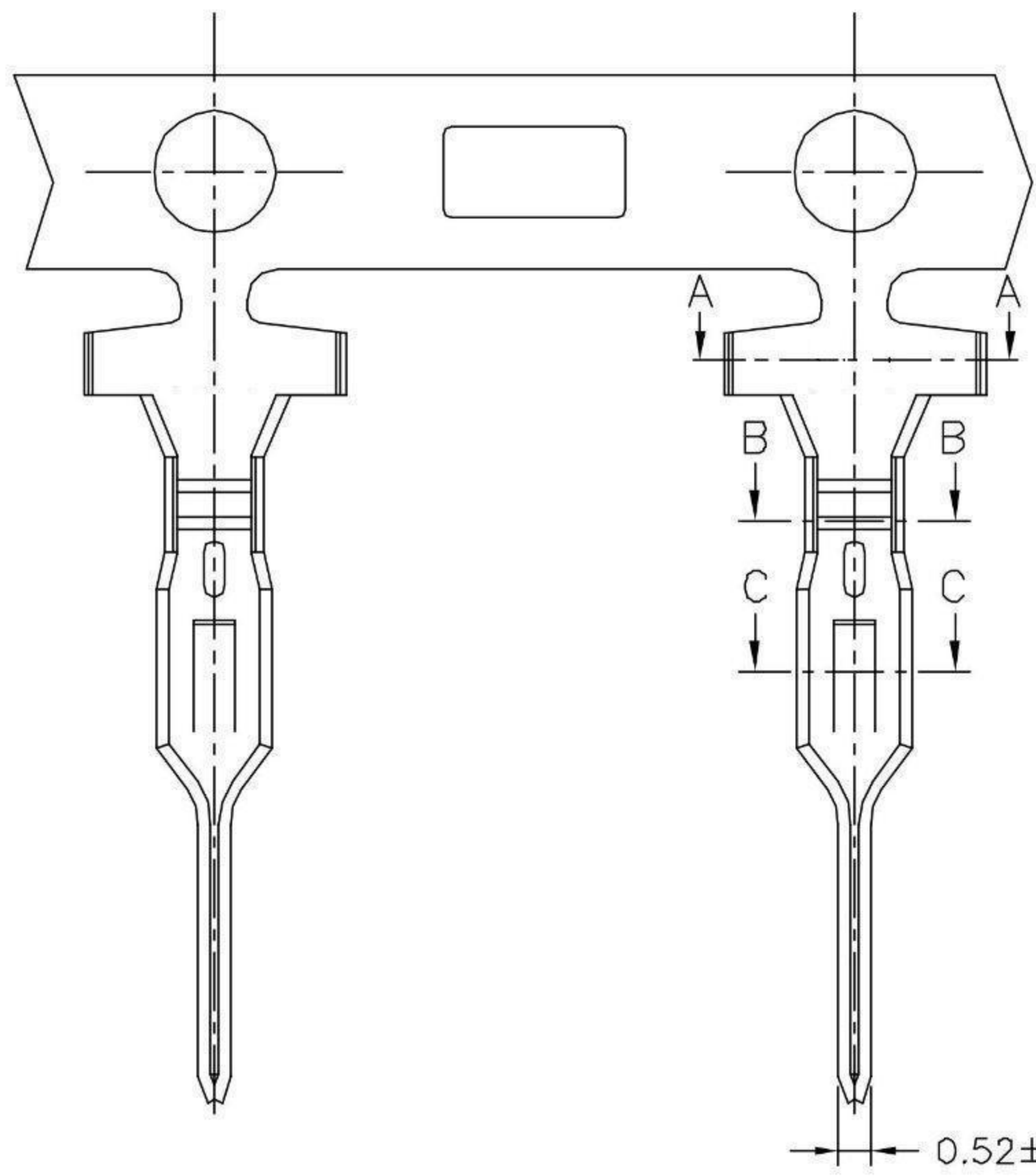


1 2 3 4 5 6 7 8

A
B
C
D
E
F
G
H



Ordering Information & Specifications

Wire Range	Insulation O.D.	Material	Finish	Qty/reel
AWG#22-#28	2.40mm(max)	Phosphor Bronze	Tin-plated	5,000pcs

Note:E-Stamping before Tin-plated

RoHS Compliant		HSM 玄茂科技股份有限公司 HSUAN MAO TECHNOLOGY CO., LTD.	
APPD. 核准 DWG. 製圖 HELEN DATE 制表日 2010/2/11	SCALE 比例 參考 UNIT 單位 MM PAGE 張數 1 OF 1	TOLERANCE X.X±0.25 X.XX±0.15 X.XXX±0.05 SIZE 紙張尺寸 A4 REV. 版次 A	PART NAME 品名 JST BH 4.0mm MALE TERMINAL PHOSPHOR BRONZE MATERIAL SUITABLE FOR 22~28AWG TIN PLATING 1ROLL=5KPCS ROHS PART NO. 料號 T2018-TPJ00000R

1 2 3 4 5 6 7 8