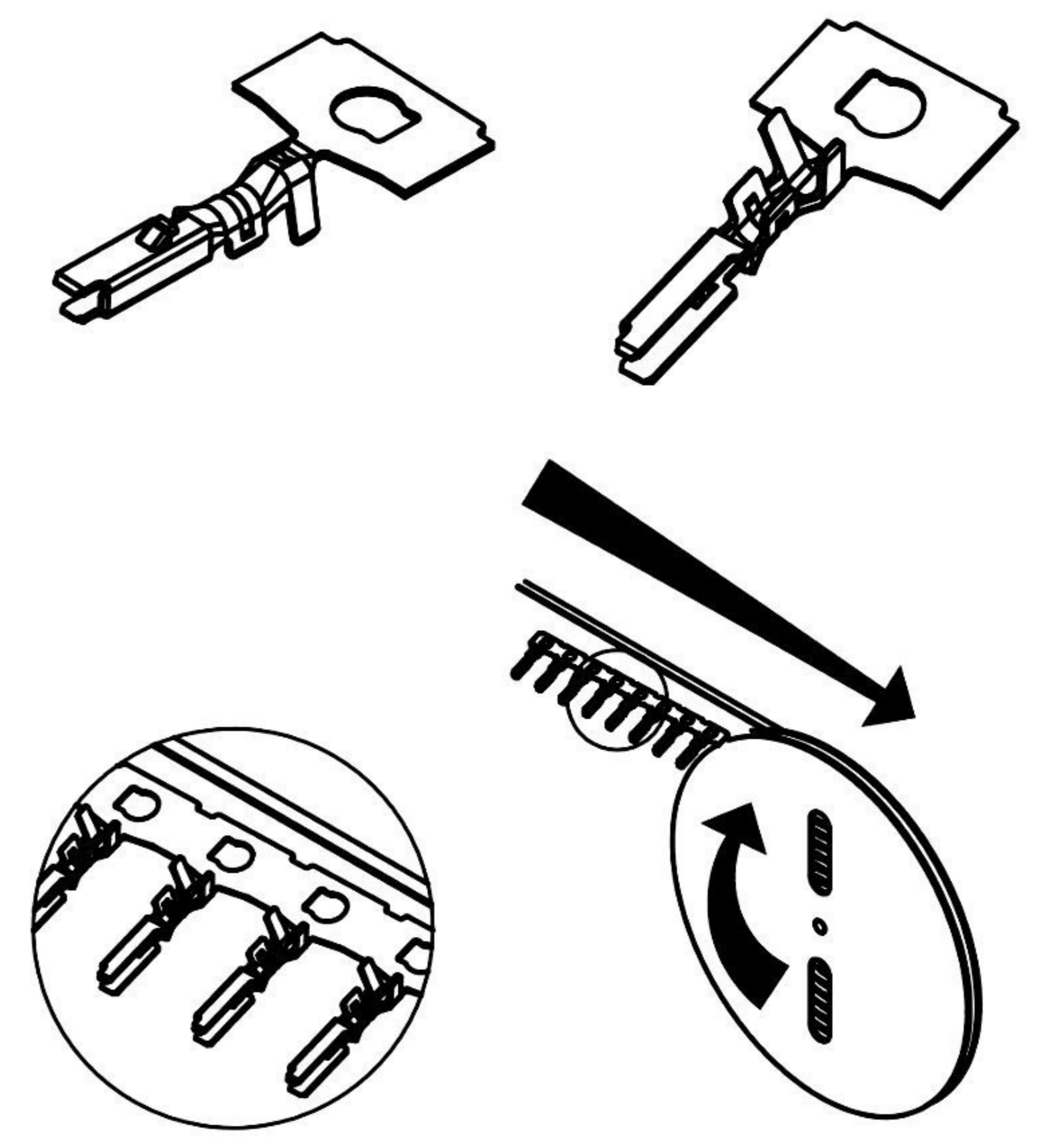
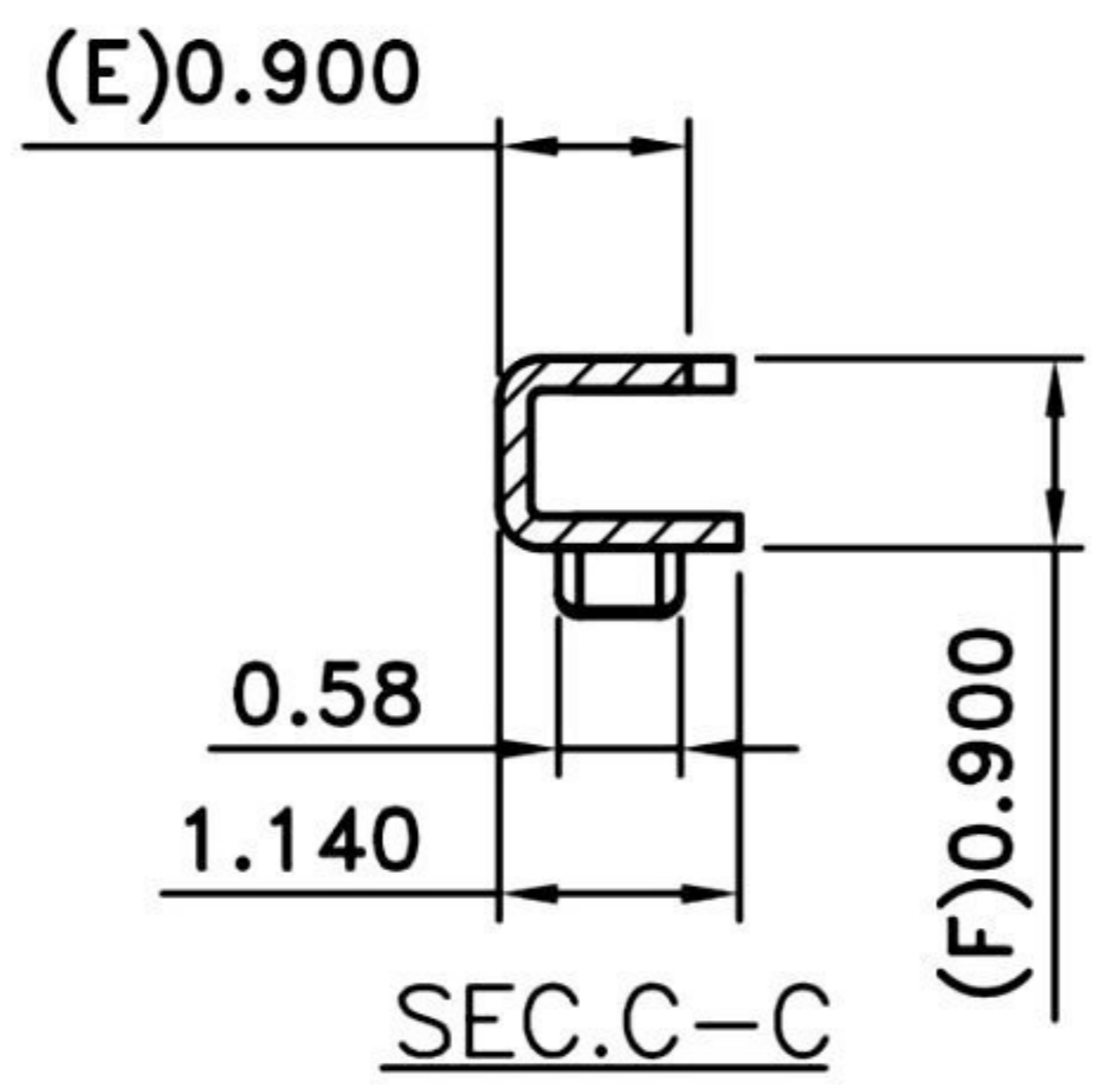
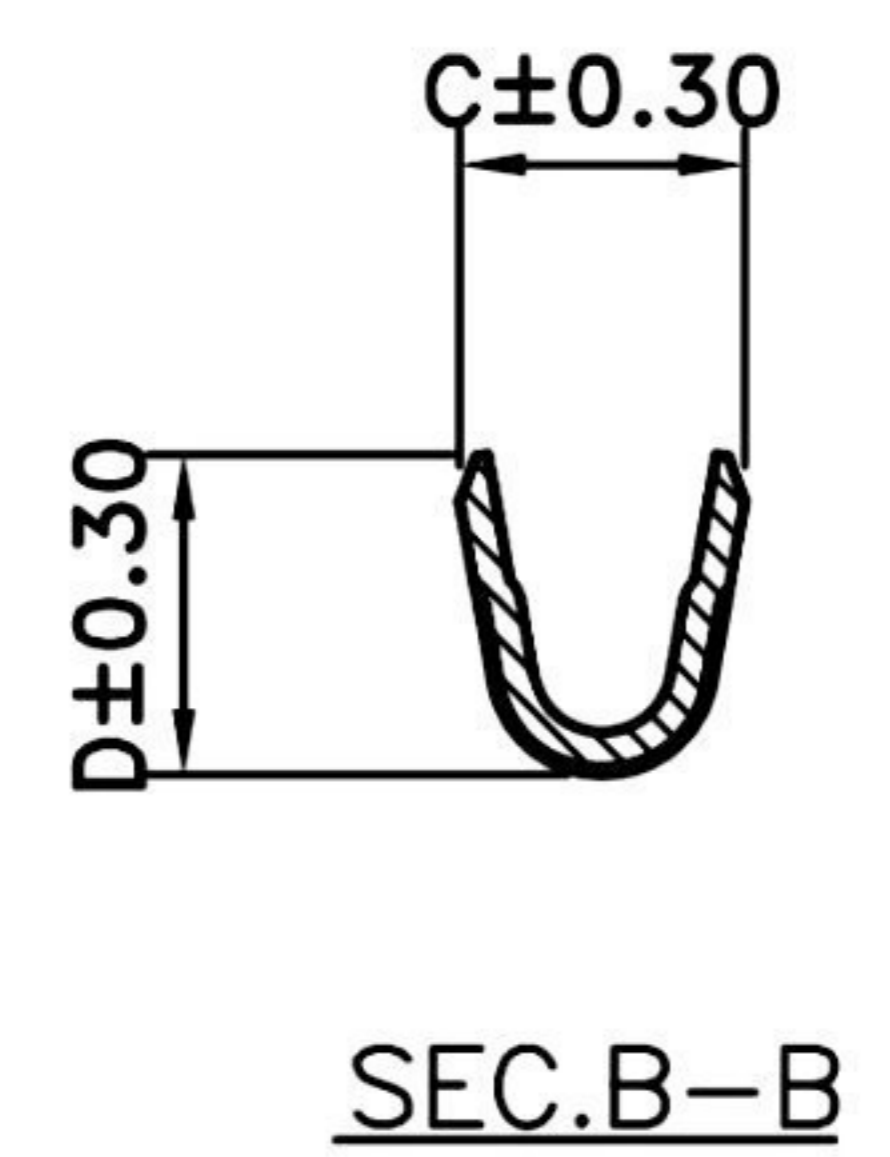
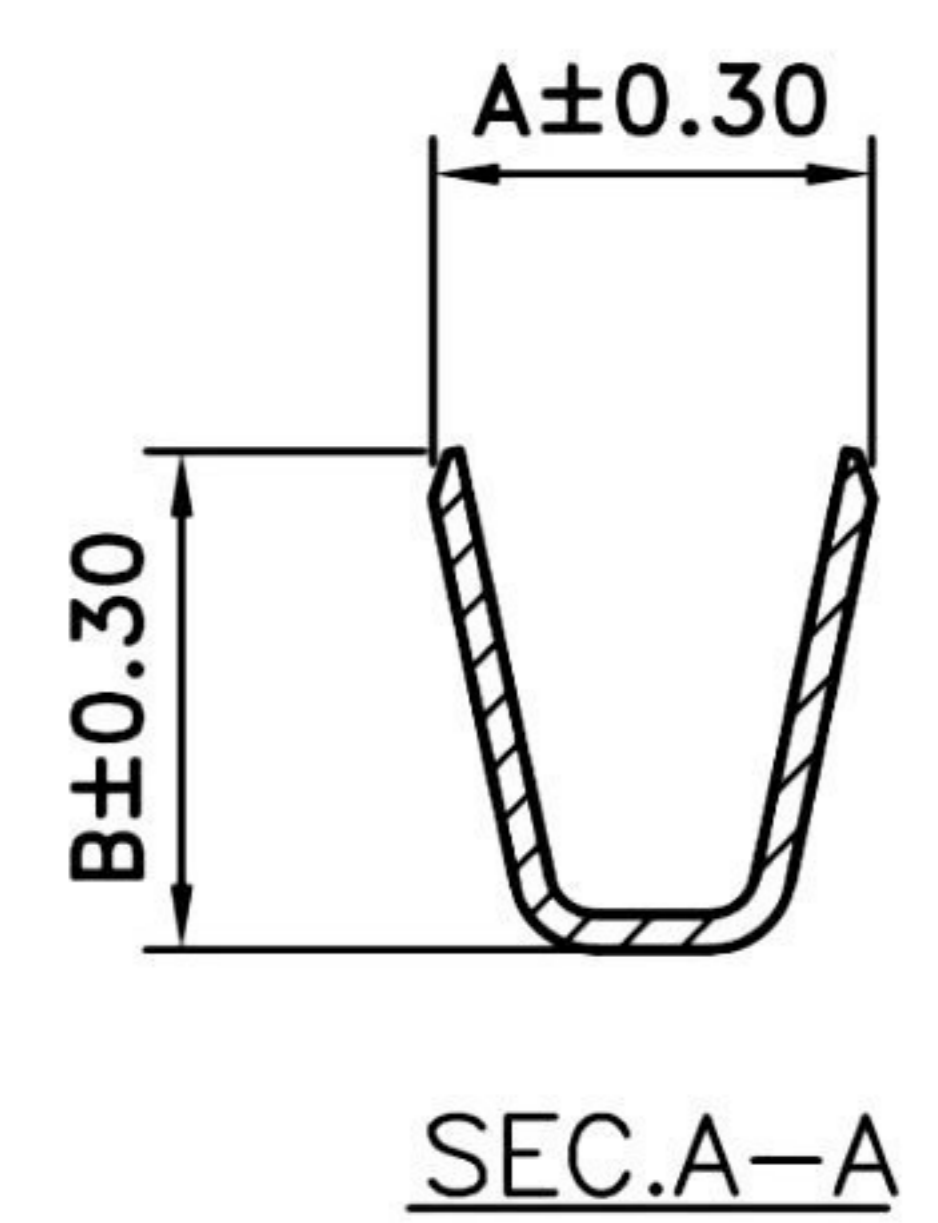


- SPECIFICATIONS
- Material: Phosphor Bronze
 - Wire Range: AWG #26~#30
Insulation O.D.: 0.7mm~1.02mm
AWG #24~#28
Insulation O.D.: 0.78mm~1.28mm
 - Plated: Tin (Pre-Plated)
 - Q'ty: 15,000 Pcs/Reel



P/N		A	B	C	D
T1504-TPN00000R	AWG #26~#30	1.75	1.80	1.20	1.20
T1504-TPL00000R	AWG #24~#28	1.85	2.10	1.20	1.35



<p>RoHS Compliant</p>		<p>HSM 玄茂科技股份有限公司 HSUAN MAO TECHNOLOGY CO., LTD.</p>	
<p>APPD. 核准 HELEN</p>	<p>SCALE 比例 參考</p>	<p>TOLERANCE 容許公差 .0 ±0.30 .00 ±0.20 .000 ±0.10 0 ±1*</p>	<p>PART NAME 品名 1.5mm TERMINAL MATERIAL: PHOSPHOR BRONZE TIN PLATED ROHS</p>
<p>DWG. 製圖 ABBY</p>	<p>UNIT 單位 MM</p>	<p>SIZE. 紙張尺寸 A4</p>	<p>PART NO. 料號 T1504-TPX00000R</p>
<p>DATE 制表日 2022/12/21</p>	<p>PAGE 張數 1 OF 1</p>	<p>REV. 版次 A</p>	