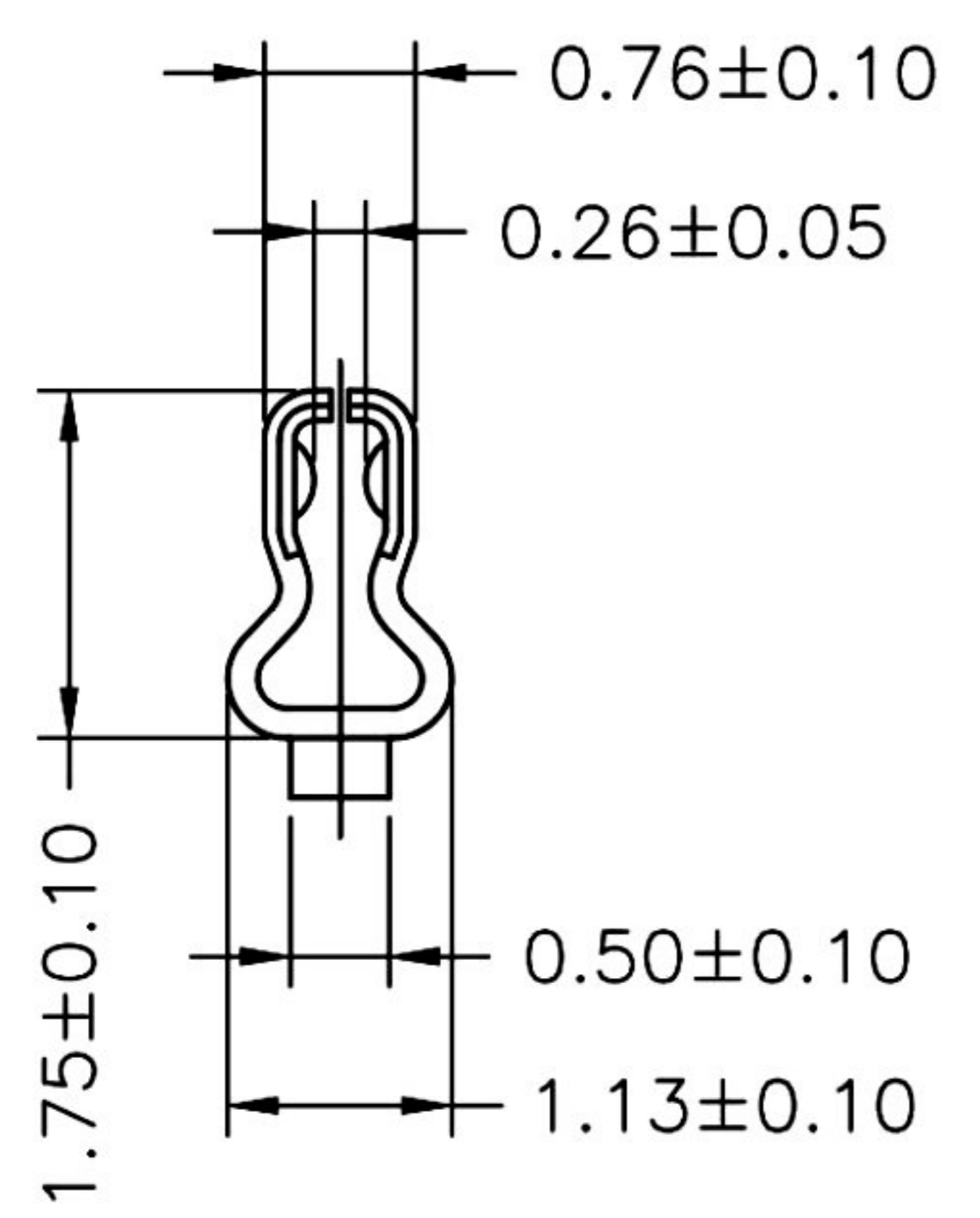
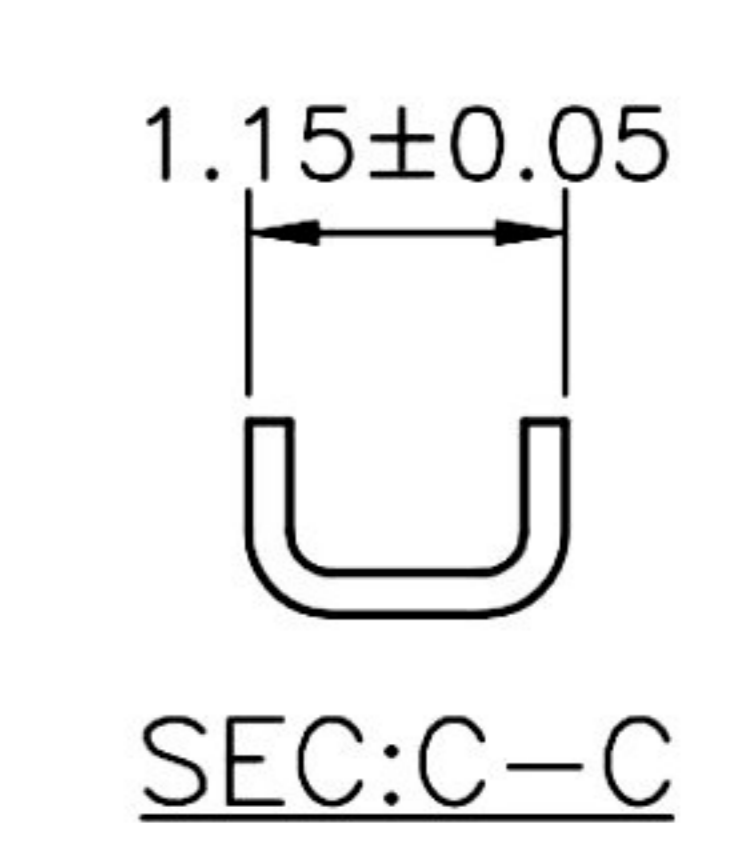
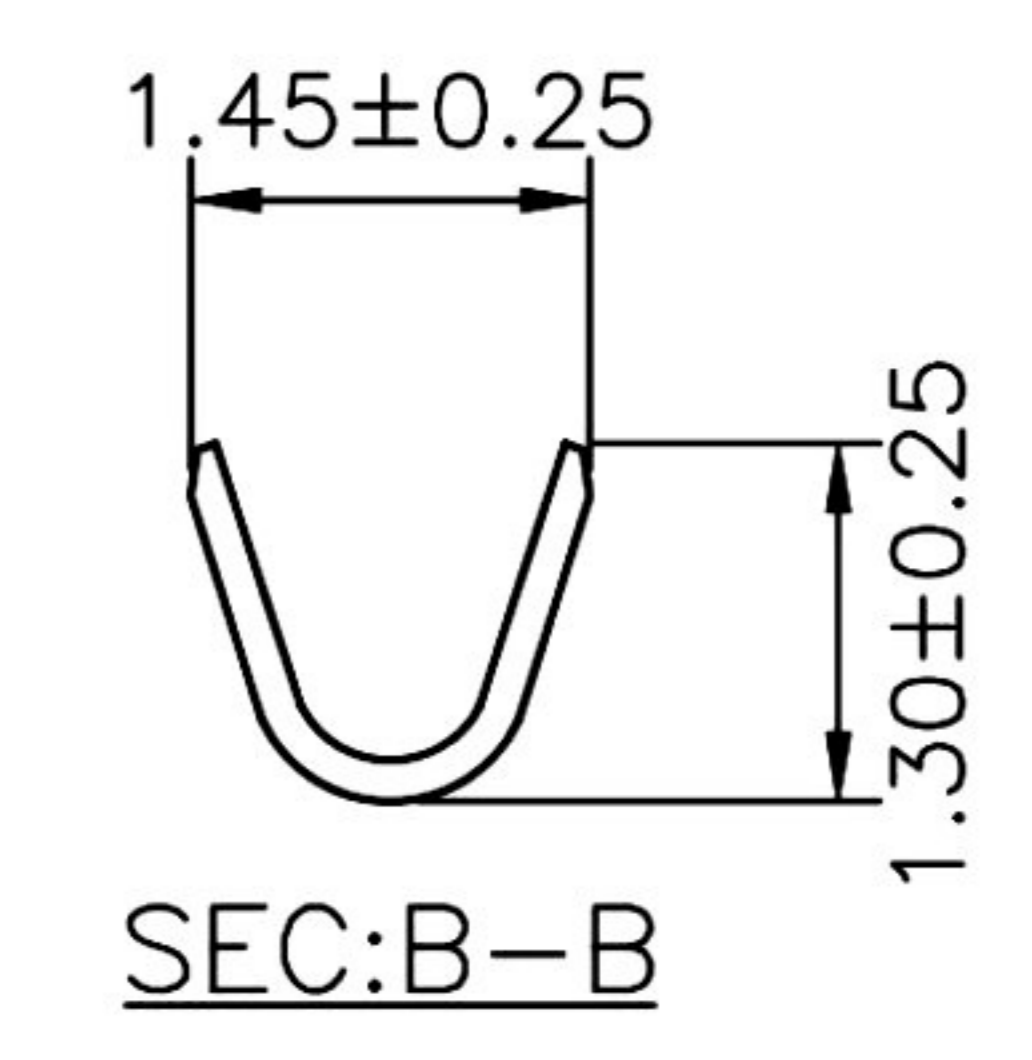
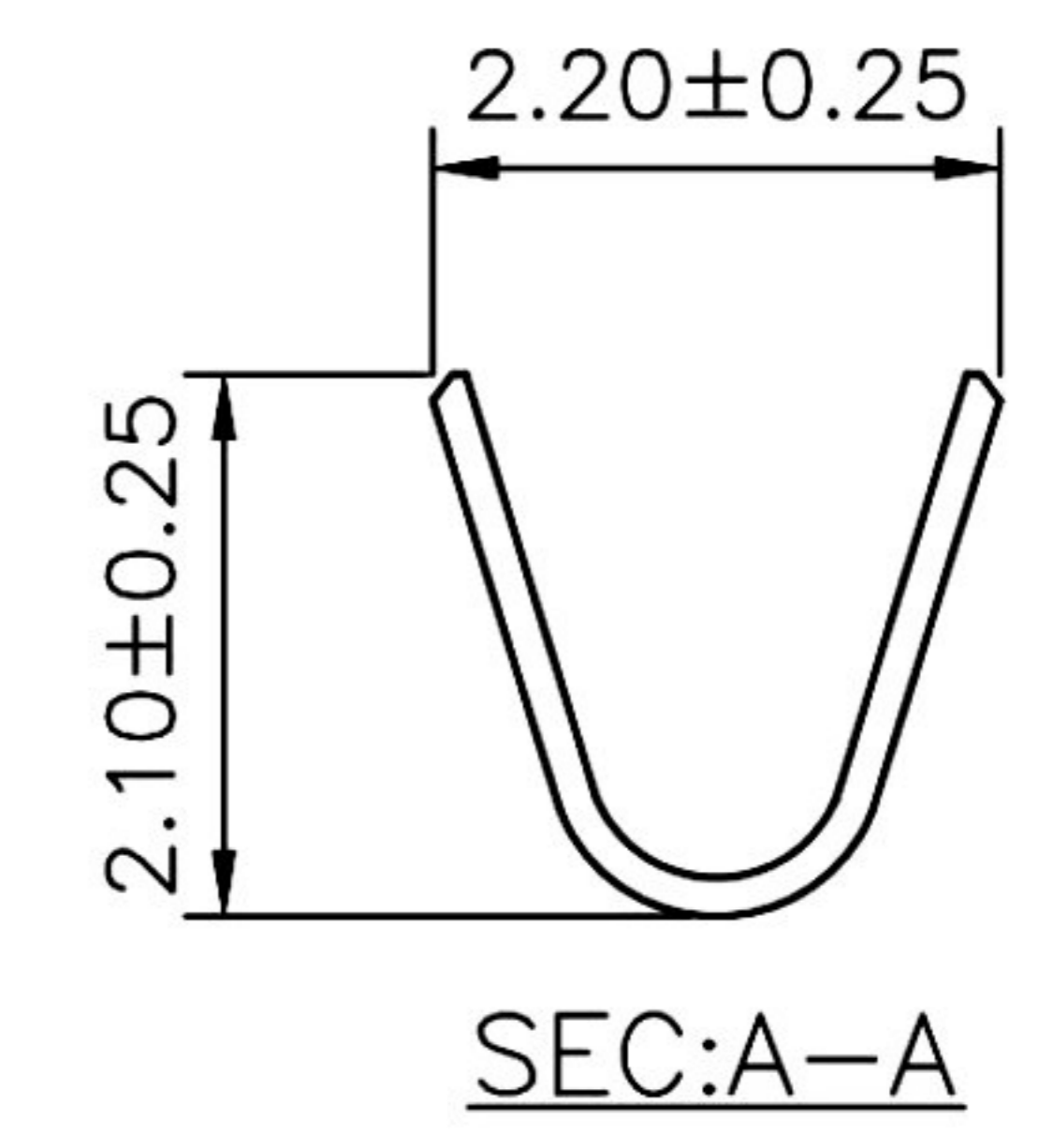
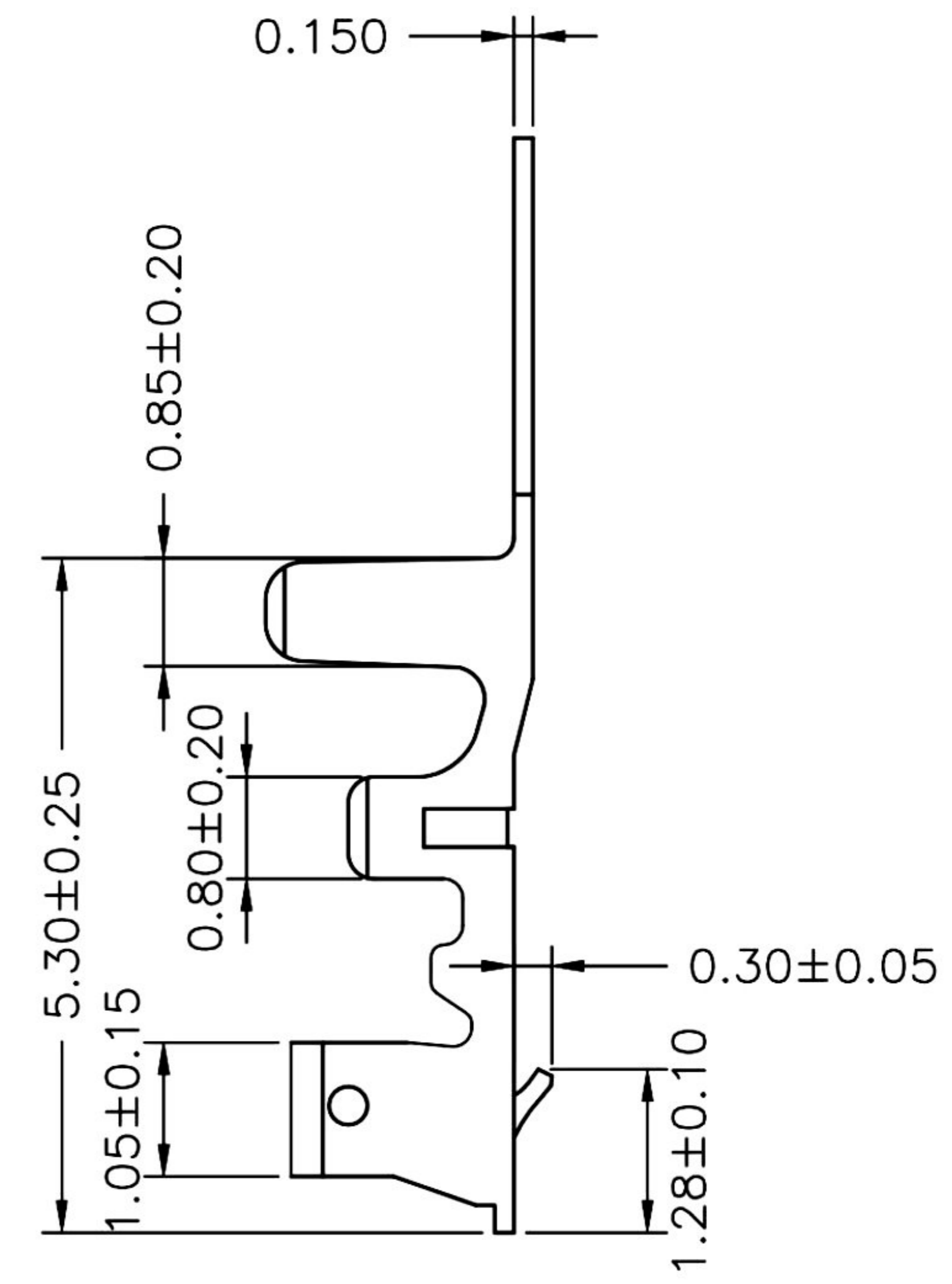
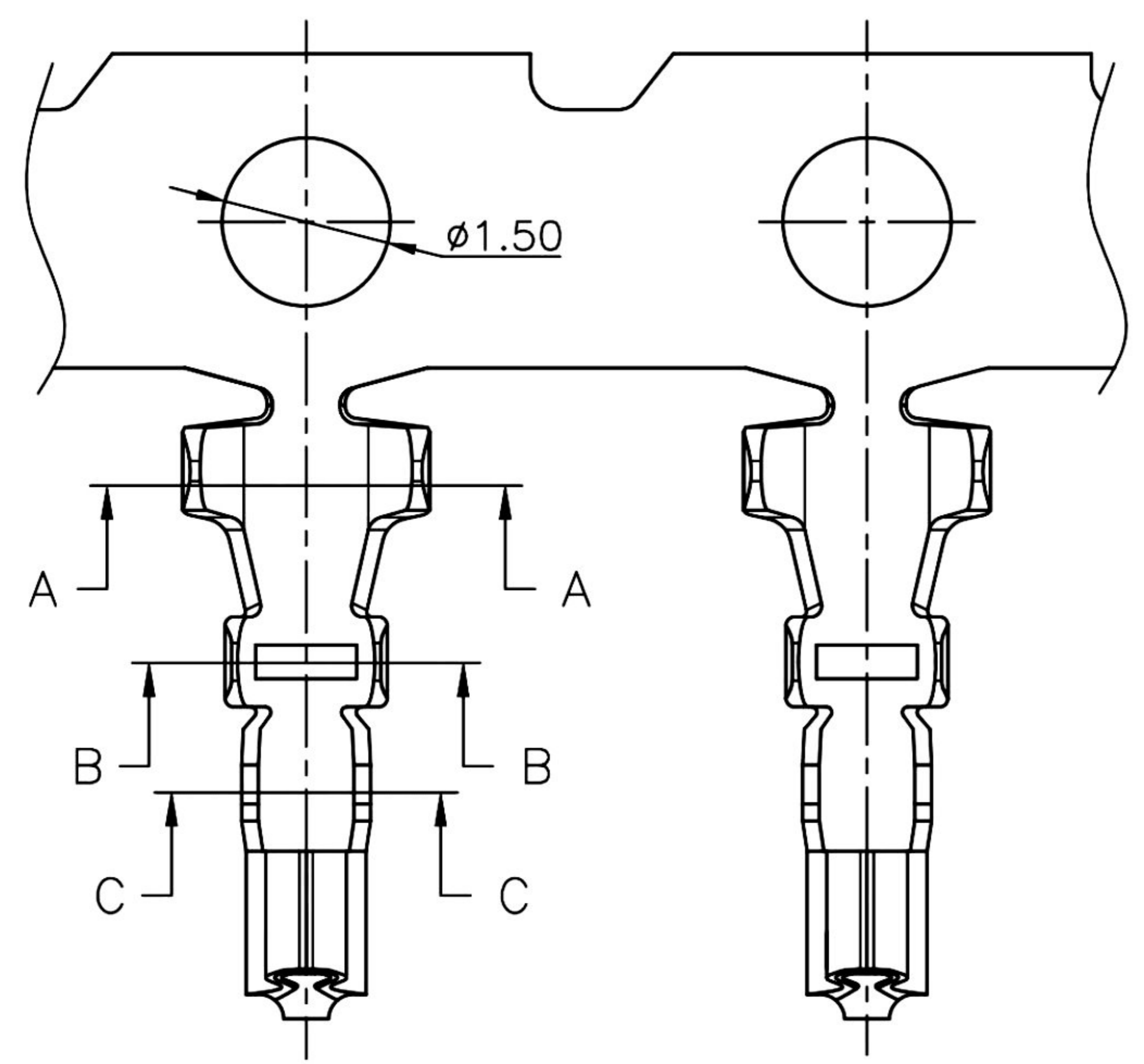


1 2 3 4 5 6 7 8

A
B
C
D
E
F
G
H

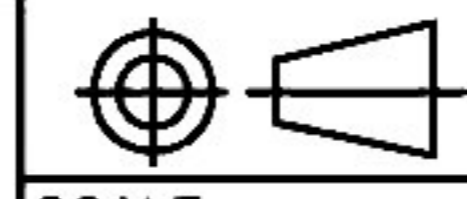
A
B
C
D
E
F
G
H



Ordering Information & Specifications

Wire Range	Insulation O.D.	Material	Finish	Q'ty/Reel
AWG#24-#28	1.10mm(max)	Phosphor Bronze	Tin-plated	10,000pcs
AWG#24-#28	1.10mm(max)	Phosphor Bronze	Gold-plated	10,000pcs

Note: Stamping before Tin-plated or Gold-plated

RoHS Compliant		HSM 玄茂科技股份有限公司 HSUAN MAO TECHNOLOGY CO., LTD.	
APPD. 核准 HELEN	 TOLERANCE 容許公差 X.X±0.25 X.XX±0.15 X.XXX±0.05	PART NAME 品名 FOR P=1.5mm(H1501) TERMINAL PHOSPHOR BRONZE TIN PLATED SUITABLE FOR 24-28AWG 10K/ROLL ROHS	
DWG. 製圖 ABBY	SCALE 比例 參考 UNIT 單位 MM	SIZE 紙張尺寸 A4	
DATE 制表日 2017/12/29	PAGE 張數 1 OF 1	REV. 版次 B	
		PART NO. 料號 T1501-TPL00000R	

1 2 3 4 5 6 7 8