

1 2 3 4 5 6 7 8

A

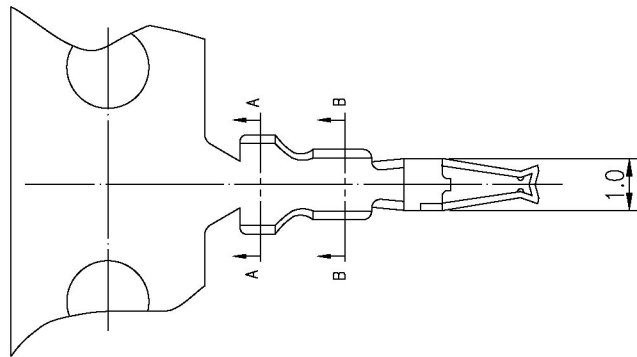
A

B

B

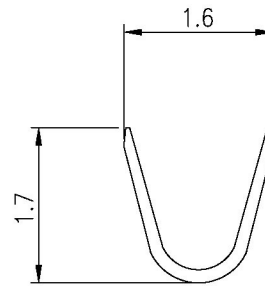
C

C



■ **TERMINAL**

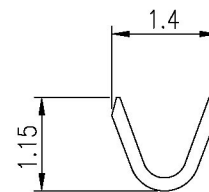
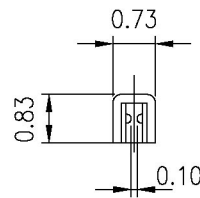
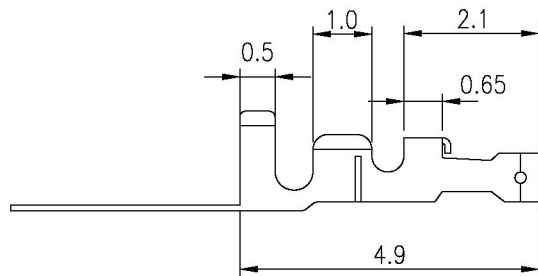
- Material: Phos. bronze
- Thickness: 0.15mm
- Plating: Tin plated 60u"
- Wire Range: Suitable for AWG#28~32
- Insulation O.D: 1.0mm(max)
- Q'TY: 10,000 pcs/reel
- Accepts housing : H1253



A-A SECTION

D

D



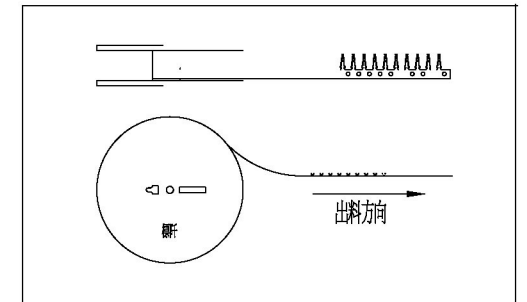
B-B SECTION

E

E

F

F



G

G

H

H

<b>RoHS Compliant</b>		<b>HSM 玄茂科技股份有限公司</b>	
		<b>HSUAN MAO TECHNOLOGY CO., LTD.</b>	
APPD. 核准	 SCALE 比例 參考	TOLERANCE 容許公差	PART NAME 品名
DWG. 製圖 Hedy		UNIT 單位 MM	
DATE 制表日 2010/10/05	PAGE 張數 1 / 1	REV. 版次 A	1.25mm TERMINAL PHOSPHOR BRONZE MATERIAL TIN PLATING AWG28~32 1ROLL=10000 PCS ROHS LOW-LEAD
			PART NO. 料號 T1253-TPP00000R

1 2 3 4 5 6 7 8