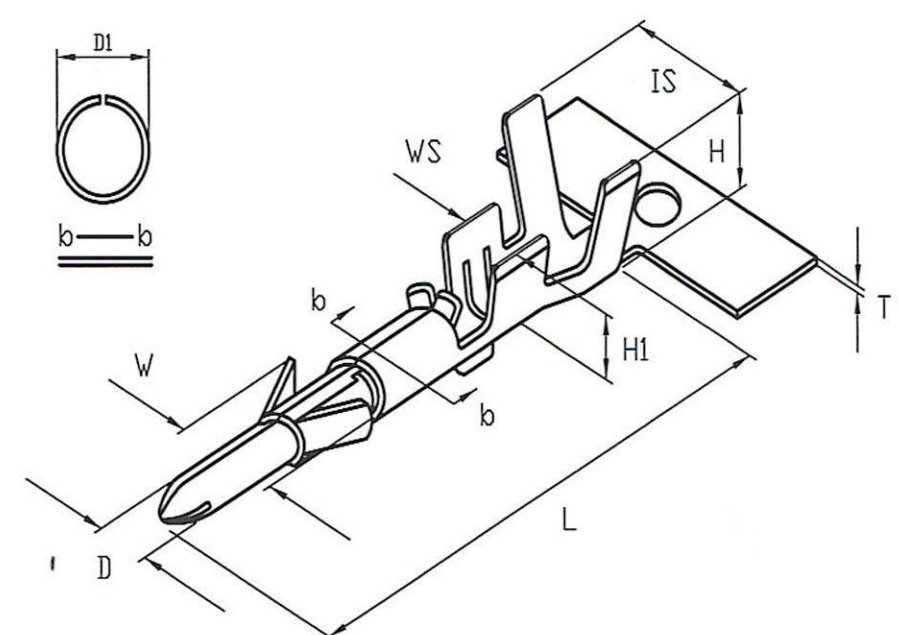


1 2 3 4 5 6 7 8

A
B
C
D
E
F
G
H



MATERIAL:BRASS
 THICKNESS:0.2
 HARDNESS:SH
 PLATING:TIN 40u' MIN
 WIRE RANGE:(AWG)18-24
 INSULATION O.D.:2.5 MAX
 VOLTAGE RATING:AC,DC,250V
 CURRENT RATING:AC,DC,8A
 TEMPERATURE RANGE : -25°C TO +85°C

DIMENSION:(MM)
 T:0.2 ± 0.03
 L:16.8 ± 0.3
 IS:4.0 ± 0.3
 WS:2.1 ± 0.2
 W:3.2 ± 0.2
 H:3.3 ± 0.2
 H1:2.2 ± 0.2
 D:1.56 ± 0.03
 D1:2.1 ± 0.15

T 1058 — T B E 0 0 0 0 0 R

- | | | |
|--|---|---------------------|
| 1. PRODUCTS: T:Terminal | 4. MATERIAL: B:Brass | 7. FILL IT WITH"0" |
| 2. SERIES NO.: 1058(Male Terminal) | 5. WIRE OPTION: E:Suitable For 18-24 Awg G:Suitable For 20-24 Awg | 8. FILL IT WITH"0" |
| 3. CONTACT PLATING: T:Tin S:Selective Gold G:Gold Flash | 6. FILL IT WITH"0" | 9. FILL IT WITH"0" |
| | | 10. FILL IT WITH"0" |
| | | 11. R:ROHS |

| | | | |
|-----------------------|-------------------|---|---|
| RoHS Compliant | | HSM 玄茂科技股份有限公司 HSUAN MAO TECHNOLOGY CO., LTD. | |
| APPD. 核准 | | TOLERANCE 零件公差 0 ± .00 ± ANG ± | PART NAME 品名 1.58mm MALE TERMINAL BRASS MATERIAL TIN PLATING AWG18-24 ROHS LOW-LEAD |
| DWG. 製圖 HELEN | SCALE 比例 參考 | UNIT 單位 MM | PART NO. 料號 T1058-TBE00000R |
| DATE 制表日 2009/6/16 | PAGE 張數 1 OF 1 | SIZE 紙張尺寸 A4 REV. 版本 A | |

1 2 3 4 5 6 7 8