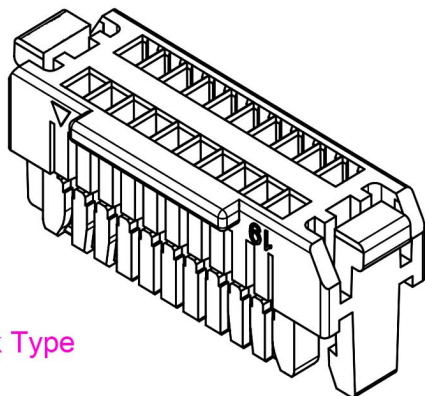
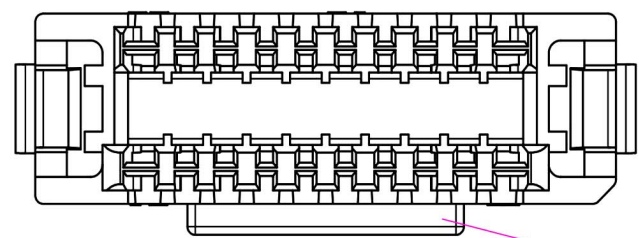


1 2 3 4 5 6 7 8

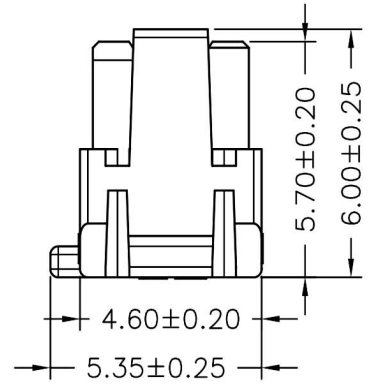
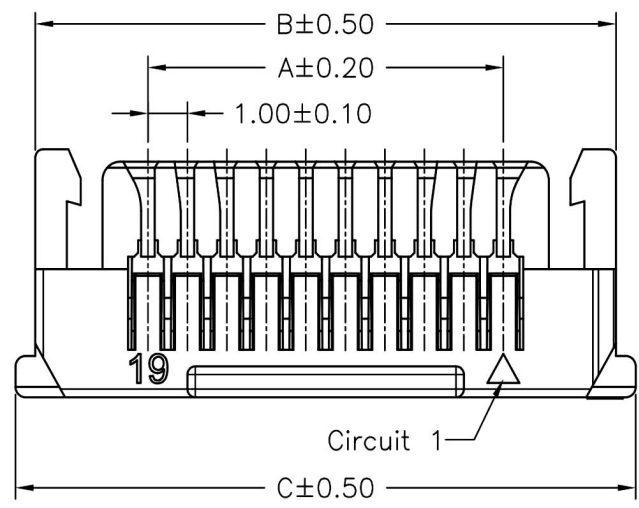
A
B
C
D
E
F
G
H

A
B
C
D
E
F
G
H

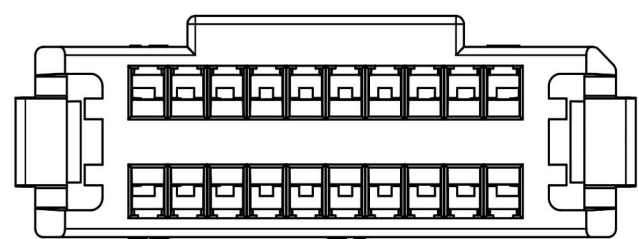


Secure Lock Type

SPECIFICATIONS
 Current Rating: 1A AC,DC
 Voltage Rating: 50V AC,DC
 Temperature Range: -25°C ~ +85°C
 Contact Resistance: 20mΩ Max.
 Insulation Resistance: 100MΩ Min.
 Withstanding Voltage: 500V AC/minute
 Material: Nylon 66,UL94V-0
 Color: White



Circuit No.	Dimensions		
	A	B	C
2X10P	9.00	14.70	15.70
2X15P	14.00	19.70	20.70
2X20P	19.00	24.70	25.70
2X25P	24.00	29.70	30.70



RoHS Compliant		玄茂科技股份有限公司 HSUAN MAO TECHNOLOGY CO., LTD.	
APPD. 核准	SCALE 比例 参考	TOLERANCE 容許公差 X. XX±0.25 X. XX±0.15 X. XXX±0.05	PART NAME 品名 SHLD 1.0mm HOUSING 2XXXPIN WITH SECURE LOCK TYPE MATERIAL:NYLON66 UL94V-0 WHITE COLOR ROHS
DWG. 製圖 Betty	UNIT 單位 MM	SIZE. 紙張尺寸 A4	PART NO.
DATE 制表日 2020/01/02	PAGE 張數 1 OF 1	REV. 版次 A	料號 H9018-XXPYW1000R

1 2 3 4 5 6 7 8