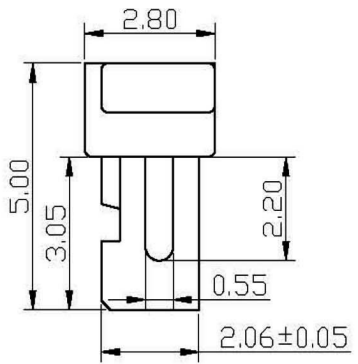
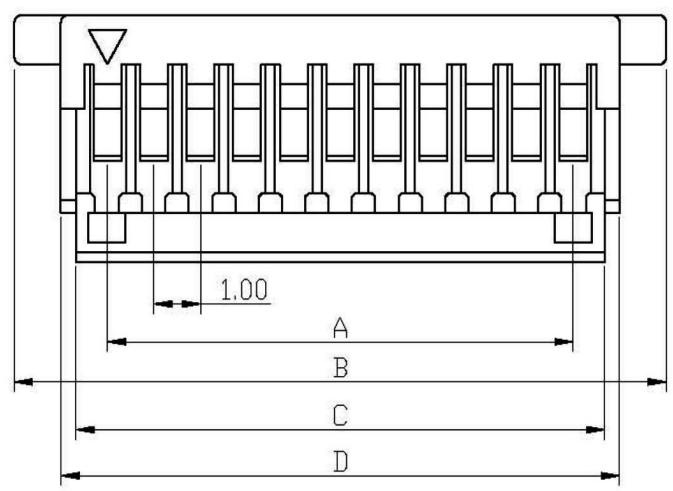
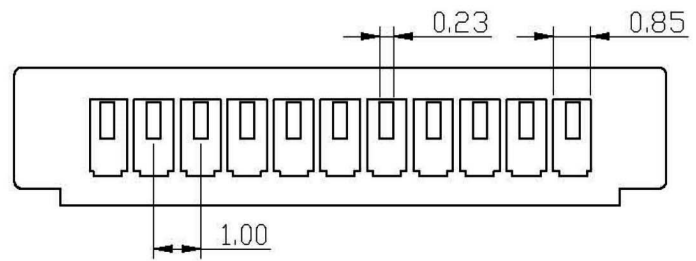


1 2 3 4 5 6 7 8

A
B
C
D
E
F
G
H



SPECIFICATIONS

Electrical

Current Rating: 1A AC, DC
 Voltage Rating: 50V AC/ max.
 Operating Temp.: -25°C ~ +85°C
 Insulation Resistance: 100MΩ/ min.
 Dielectric Withstanding Voltage: 500V AC/ min.
 Contact Resistance: 20MΩ/ max.

Material

Material: PBT, UL94V-0

Poles	Dimension mm (in.)				Note.
	A	B	C	D	
2	1.0	5.0	2.37	3.00	
3	2.0	6.0	3.37	4.00	
4	3.0	7.0	4.37	5.00	
5	4.0	8.0	5.37	6.00	
6	5.0	9.0	6.37	7.00	
7	6.0	10.0	7.37	8.00	
8	7.0	11.0	8.37	9.00	
9	8.0	12.0	9.37	10.00	
10	9.0	13.0	10.37	11.00	
11	10.0	14.0	11.37	12.00	
12	11.0	15.0	12.37	13.00	
13	12.0	16.0	13.37	14.00	
14	13.0	17.0	14.37	15.00	
15	14.0	18.0	15.37	16.00	
16	15.0	19.0	16.37	17.00	
20	19.0	23.0	20.37	21.00	

B尺寸公差如下:
 2P~10P±0.10mm
 11P~20P±0.20mm

RoHS Compliant		HSM 玄茂科技股份有限公司 HSUAN MAO TECHNOLOGY CO., LTD.	
APPD. 核准 Betty	SCALE 比例 參考	TOLERANCE 容許公差 X.XX ± 0.1 X.X ± 0.25 ANG. ±	PART NAME 品名
DWG. 製圖 Betty			SH 1.0mm HOUSING 1XXXP WHITE SINGLE ROW W/ PROTUSIONS ROHS LOW-LEAD
DATE 制表日 2011/07/13	UNIT 單位 M M	SIZE. 紙張尺寸 A 4	PART NO. 料號 H9010-XXPWSY00R
	PAGE 張數 1 OF 1	REV. 版次 B	

1 2 3 4 5 6 7 8