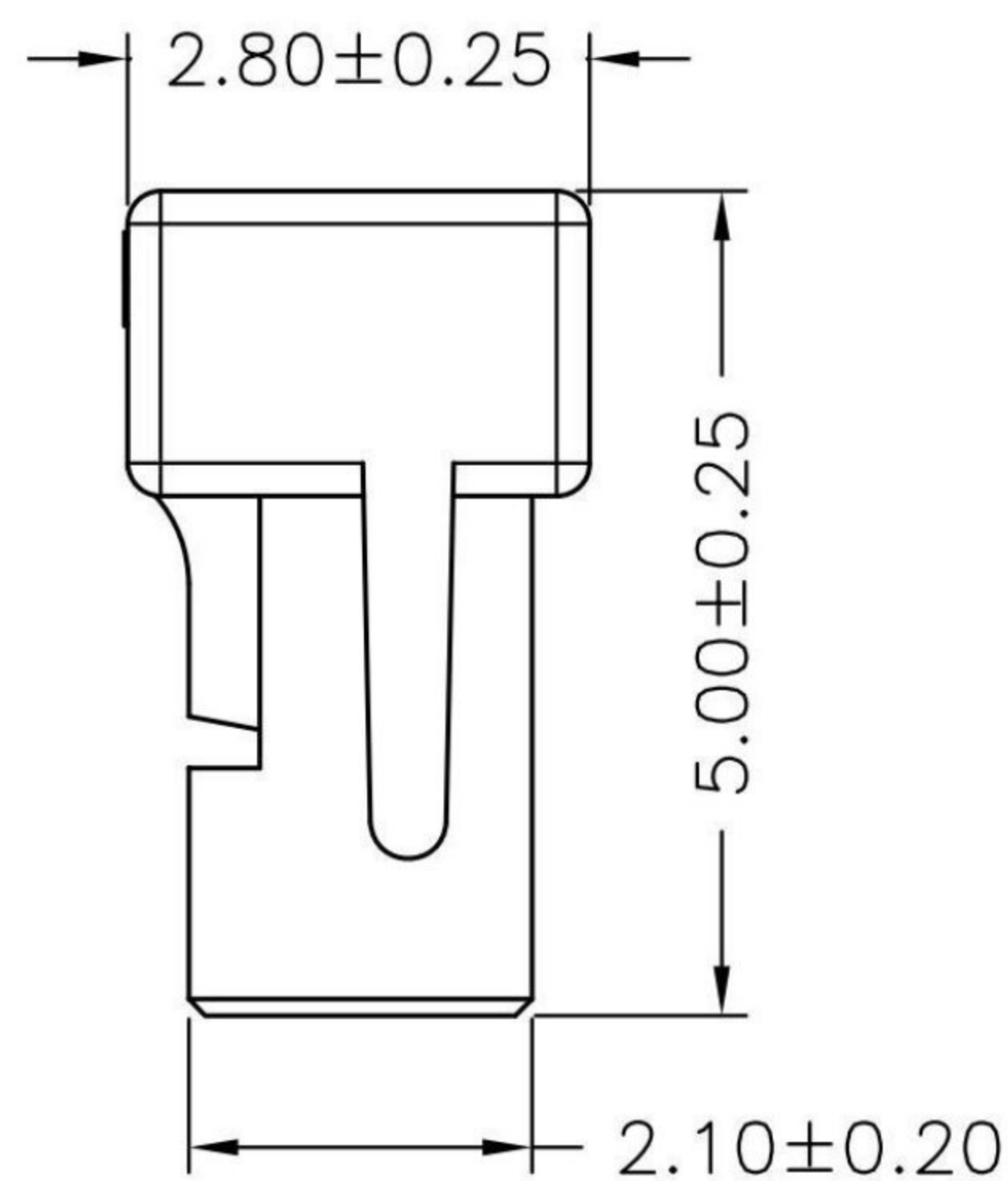
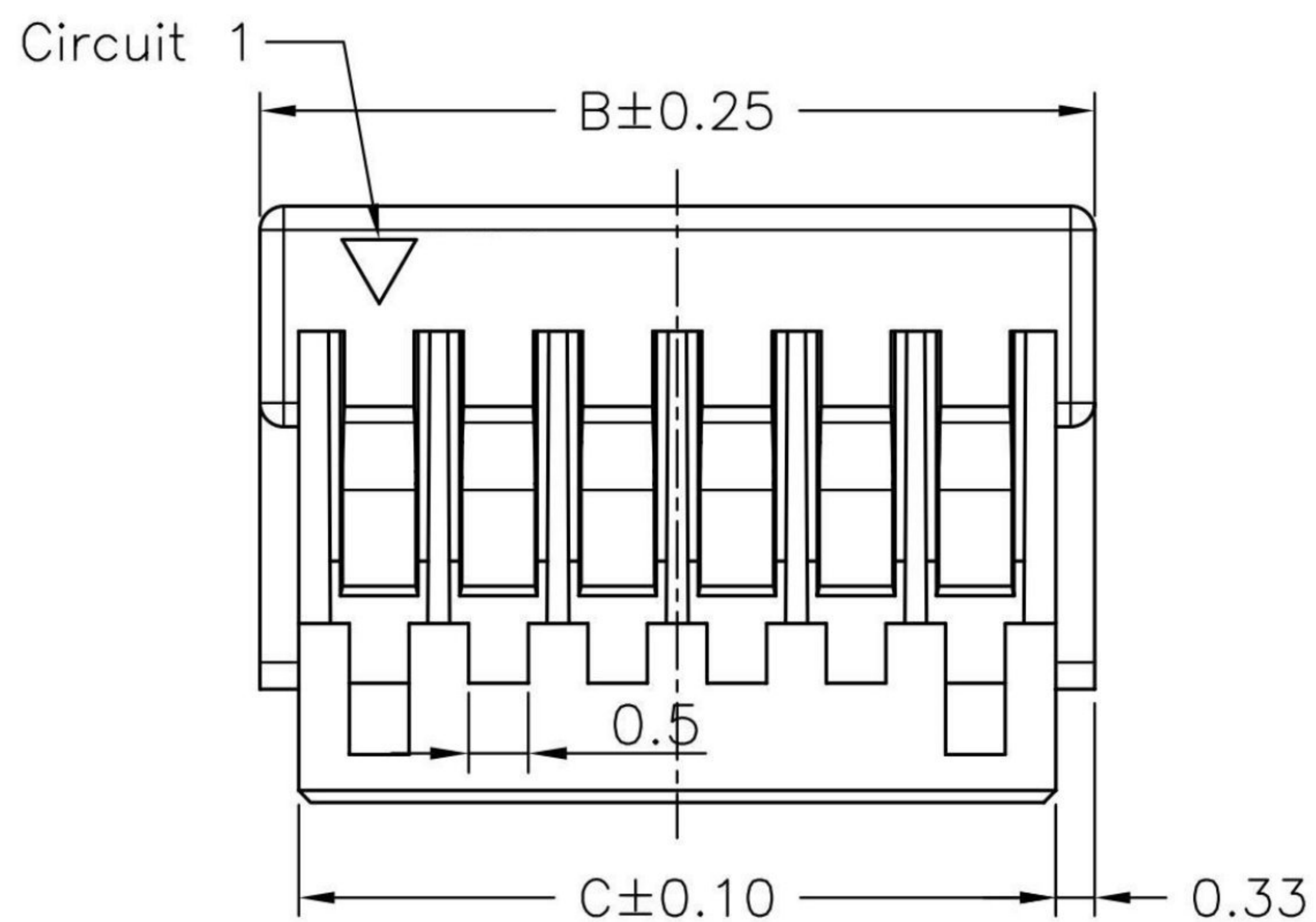


**SPECIFICATIONS**  
 Current Rating: 1A AC,DC  
 Voltage Rating: 50V AC,DC  
 Temperature Range: -25°C ~ +85°C  
 Contact Resistance: 20mΩ Max.  
 Insulation Resistance: 100MΩ Min.  
 Withstanding Voltage: 500V AC/minute  
 Material: Nylon 66-V0 Halogen Free  
 Color: White



Circuit No.	Dimensions			Circuit No.	Dimensions		
	A	B	C		A	B	C
02P	1.00	3.00	2.35	12P	11.00	13.00	12.35
03P	2.00	4.00	3.35	13P	12.00	14.00	13.35
04P	3.00	5.00	4.35	14P	13.00	15.00	14.35
05P	4.00	6.00	5.35	15P	14.00	16.00	15.35
06P	5.00	7.00	6.35	16P	15.00	17.00	16.35
07P	6.00	8.00	7.35	17P	16.00	18.00	17.35
08P	7.00	9.00	8.35	18P	17.00	19.00	18.35
09P	8.00	10.00	9.35	19P	18.00	20.00	19.35
10P	9.00	11.00	10.35	20P	19.00	21.00	20.35
11P	10.00	12.00	11.35	24P	23.00	25.00	24.35

RoHS Compliant		<b>HSM</b> 玄茂科技股份有限公司 HSUAN MAO TECHNOLOGY CO., LTD.	
APPD. 核准 HELEN	SCALE 比例 參考 UNIT 單位 MM	TOLERANCE 容許公差 X. X±0.25 X. XX±0.15 X. XXX±0.05	PART NAME 品名 SH 1.0mm HOUSING 1XXXP WHITE SINGLE ROW W/O PROTUSIONS MATERIAL: NYLON 66-V0 ROHS
DWG. 製圖 ABBY			
DATE 制表日 2016/06/08	PAGE 張數 1 OF 1	REV. 版次 A	PART NO. 料號 H9010-XXPWSN00A