

FEATURES:

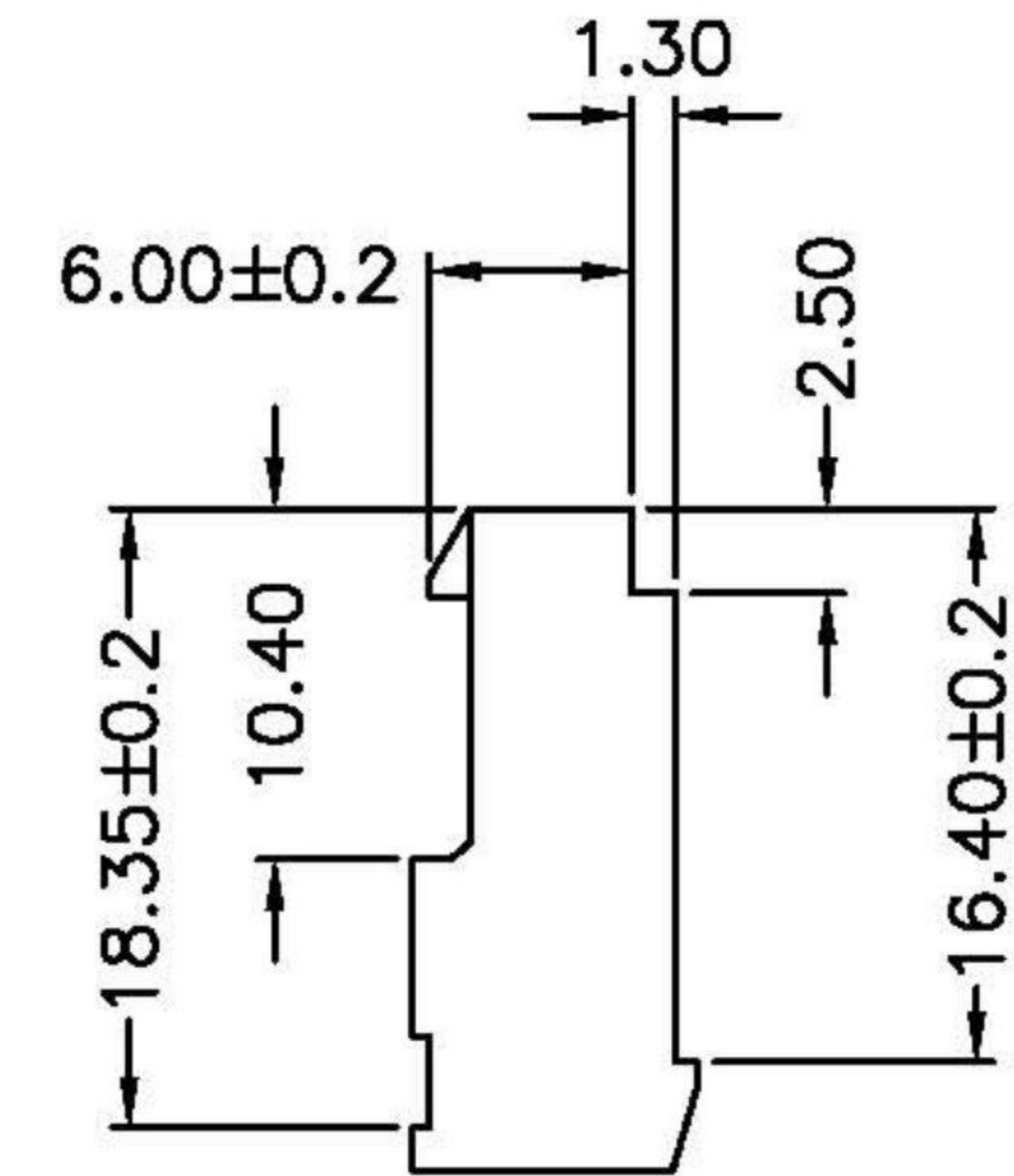
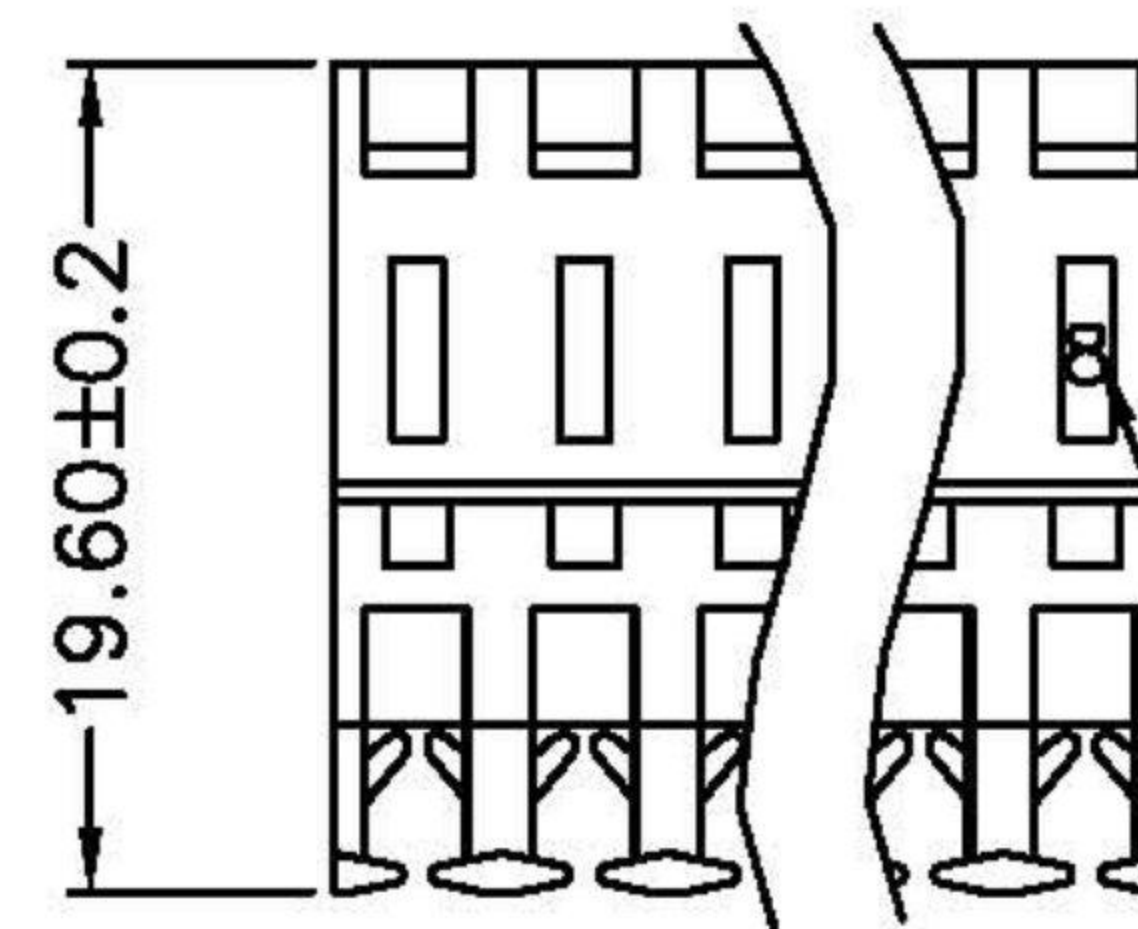
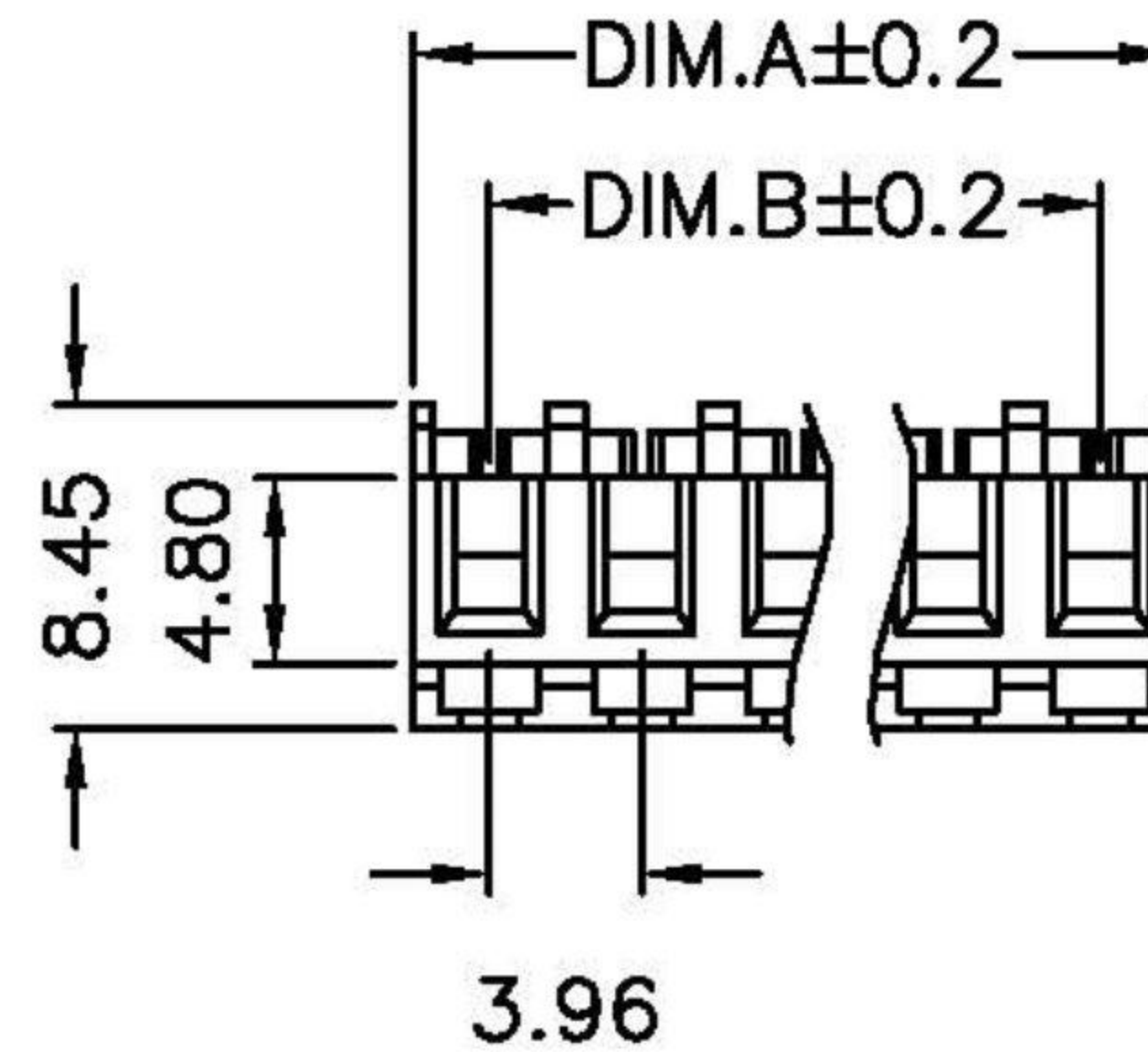
- . 2-25 Circuits
- . With locking ramp and Polarizing Rib
- . Nylon 66
- . Mates with .045" [1.14mm] pins
- . CLOSE END TYPE
- . Terminal Retention to Housing 8lbs [3.63kg] minimum

SPECIFICATIONS:

- . Current rating: 7A AC. DC
- . Voltage rating: 250V AC. Maximum
- . Temperature range: -40°C ~ +105°C .
- . Contact resistance: Initial Value/10m Ω max.
After environmental testing /20m Ω max.
- . Insulation resistance: 1000 M Ω min
- . Withstand Voltage: 1500V AC/minute
- . Applicable wire: AWG #18 ~ #26

Circuits	DIM.A	DIM.B	Circuits	DIM.A	DIM.B
02	7.92	3.96	14	55.44	51.48
03	11.88	7.92	15	59.40	55.44
04	15.84	11.88	16	63.36	59.40
05	19.80	15.84	17	67.32	63.36
06	23.76	19.80	18	71.28	67.32
07	27.72	23.76	19	75.24	71.28
08	31.68	27.72	20	79.20	75.24
09	35.64	31.68	21	83.16	79.20
10	39.60	35.64	22	87.12	83.16
11	43.56	39.60	23	91.08	87.12
12	47.52	43.56	24	95.04	91.08
13	51.48	47.52	25	99.00	95.04

DIMENSIONAL TOLERANCE			
<30	: ±0.25	X	: ±0.20
>30~100	: ±0.35	X.X	: ±0.15
>100~300	: ±0.5	X.XX	: ±0.10
ABOVE 300	: ±0.6	X.XXX	: ±0.005



- Wire Gauge 8 ⇒ # 18AWG (B)
 0 # 20AWG (C)
 2 # 22AWG (D)
 4 # 24AWG (E)
 6 # 26AWG (F)

RoHS Compliant		HSM 玄茂科技股份有限公司 HSUAN MAO TECHNOLOGY CO., LTD.	
APPD. 核准 HELEN	SCALE 比例 參考	TOLERANCE 容許公差 .0 ± .00 ± ANG. ±	PART NAME 品名 3.96mm HOUSING XXP TIN PLATED WHITE COLOR(UL94V2) CLOSE END TYPE ROHS
DWG. 製圖 ABBY	UNIT 單位 MM	SIZE. 紙張尺寸 A4	PART NO. 料號 H8396-XXPXTW00R
DATE 制表日 2013/01/28	PAGE 張數 1 OF 1	REV. 版次 A	