

1 2 3 4 5 6 7 8

A

B

C

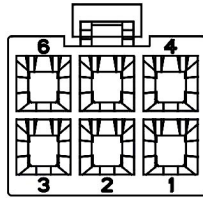
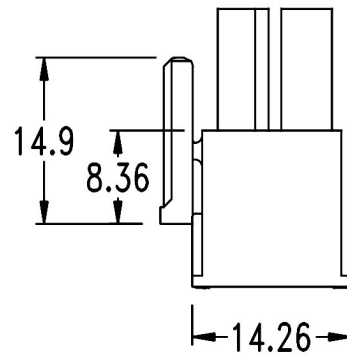
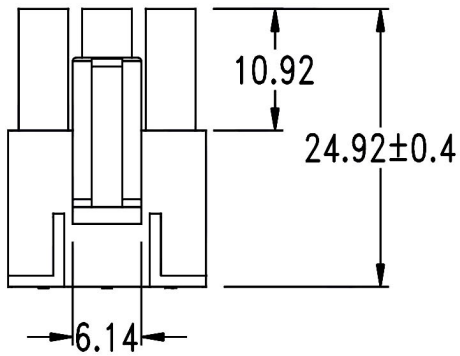
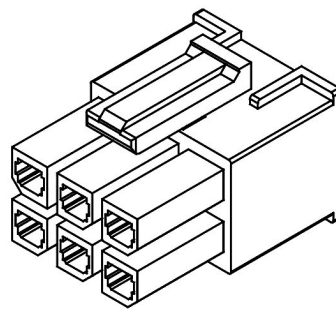
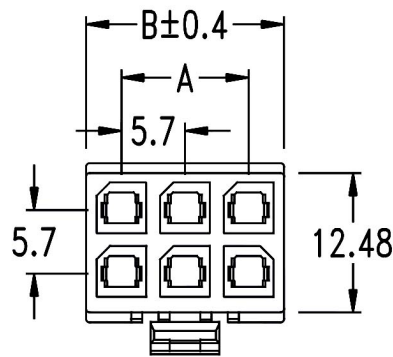
D

E

F

G

H



**Features:**

- 2 ~ 12 circuits available
- Material: UL 94V-2 nylon 66
- Accepts T5700 terminal
- Mates with W5700-XXPDR & W5700-XXPDS headers
- Color: Black

**Specification:**

- Current rating: With finned AWG copper wire

Wire size		N			
AWG	Max. Ins. Dia.	2	4	6	8~12
#12, 4.0mm <sup>2</sup>	.162"(4.11mm)	23A	20A	18A	16A
#14, 2.5mm <sup>2</sup>	.148"(3.75mm)	21A	17A	15A	13A
#16, 1.5mm <sup>2</sup>	.125"(3.18mm)	17A	15A	13A	12A

- Voltage rating: 600V AC (RMS) or 600V DC Max.
- Insulation resistance: 1000MΩ Min.
- Dielectric withstanding voltage: 2200V AC/minute
- Ambient temperature range: -40°C ~ 105°C

**Dimensional Information ( mm )**

Circuits	Dim. A	Dim. B
2	N / A	8.35
N	2.85 x N - 5.7	2.85 x N + 0.65

&& N = 4 ~ 12

RoHS Compliant	<b>HSM 玄茂科技股份有限公司</b> <b>HSUAN MAO TECHNOLOGY CO., LTD.</b>		
	APPD. 核准	UNLESS OTHERWISE SPECIFIED TOLERANCE .000 ± 0.08 ( mm ) .00 ± 0.25 ( mm ) .0 ± 0.4 ( mm )	PART NAME 品名 5.7mm MALE HOUSING 2XXXPIN BLACK INSULATOR NYLON66 UL94-V2 ROHS
DWG. 製圖 Betty	SCALE 比例 參考	SIZE. 紙張尺寸 A 4	PART NO. 料號 H5700-XXMDB000R
DATE 制表日 2017/07/24	UNIT 單位 M M PAGE 張數 1 OF 1	REV. 版次 A	

1 2 3 4 5 6 7 8