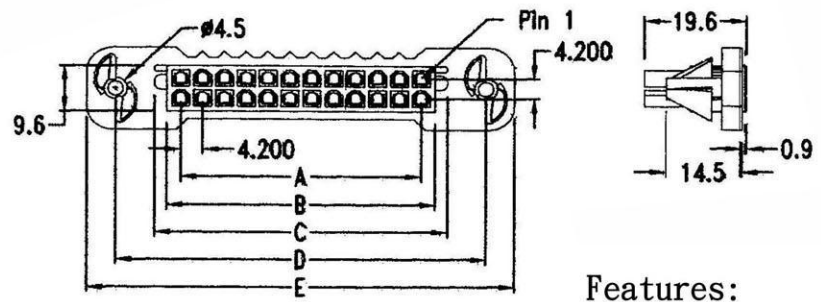


1 2 3 4 5 6 7 8

A
B
C
D
E
F
G
H

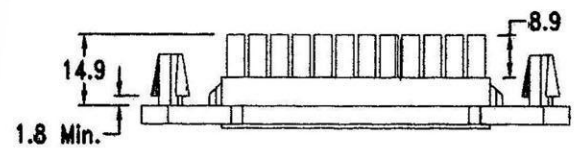


Features:
● 2~24 Circuits available.

Part No.	Material
H5151-XXPDW001R	Nylon 66 UL 94V-0

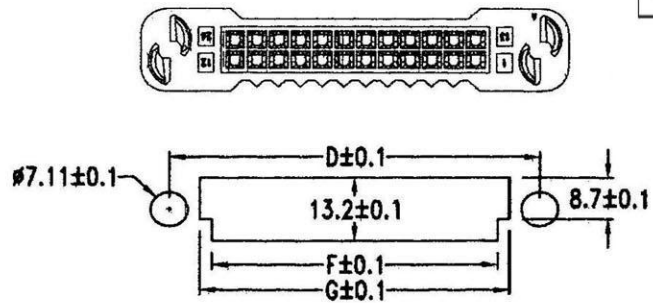
Dimensional information (mm)

Circuits	Dim. A	Dim. B	Dim. C	Dim. D	Dim. E	Dim. F	Dim. G
2		5.4	10.1	25.0	36.0	8.7	13.4
4	4.2	9.6	14.3	29.2	40.2	12.9	17.6
6	8.4	13.8	18.5	33.4	44.4	17.1	21.8
8	12.6	18.0	22.7	37.6	48.6	21.3	26.0
10	16.8	22.2	26.9	41.8	52.8	25.5	30.2
12	21.0	26.4	31.1	46.0	57.0	29.7	34.4
14	25.2	30.6	35.3	50.2	61.2	33.9	38.6
16	29.4	34.8	39.5	54.4	65.4	38.1	42.8
18	33.6	39.0	43.7	58.6	69.6	42.3	47.0
20	37.8	43.2	47.9	62.8	73.8	46.5	51.2
22	42.0	47.4	52.1	67.0	78.0	50.7	55.4
24	46.2	51.6	56.3	71.2	82.2	54.9	59.6



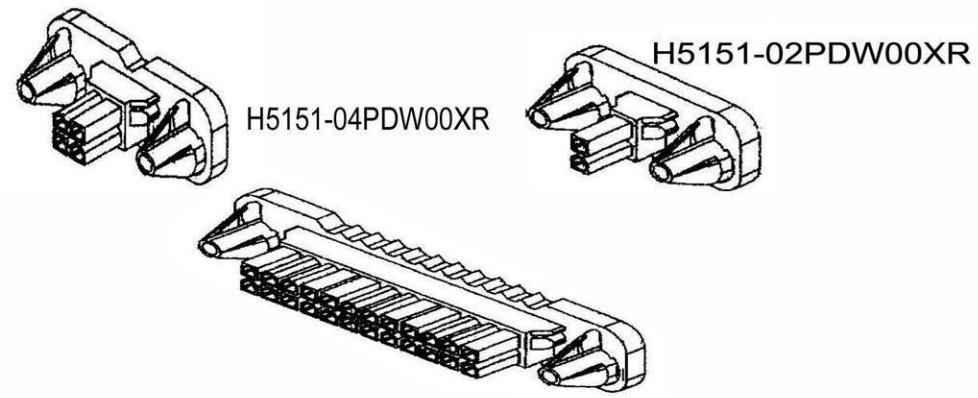
Specifiaction:
Voltage rating:600V AC, DC(R. M. S)
Current rating and wire size:

		Maximum current rating (Amperes)			
Ampere	Ckt Size				
		2	4, 6	8, 10	12~24
Wire	AWG #16	9	8	7	6
	AWG #18	7	6	5	4
	AWG #20	6	5	4	4
	AWG #22	5	4	4	4
	AWG #24	4	3	3	3
	AWG #26	2	1	1	1
	AWG #28	1	1	1	1



Recommended Panel Cut-out for 1.27±0.3mm thickness panel

Insulation resistan:DC 500V 1000M Min.
Dielectric Withstanding voltage:1500V AC/minute
Ambient temperature range:-40°~105°
(including temperatute rise)



RoHS Compliant	HSM 玄茂科技股份有限公司		PART NAME 品名 MINI FIT BMI(TM) 4.2mm MALE HOUSING 2XXXP WHITE COLOR ROHS
	HSUAN MAO TECHNOLOGY CO., LTD.		
APPD. 核准	SCALE 比例	TOLERANCE 零件公差 0 ± 0.4 .00 ± 0.25 ANG ±	PART NO. 料號 H5151-XXPDW001R
DWG. 製圖	UNIT 單位	SIZE. 紙張尺寸	
DATE 制表日	PAGE 張數	REV. 版本	
Helen	MM	A4	
2012/12/14	1 OF 1	D	

1 2 3 4 5 6 7 8