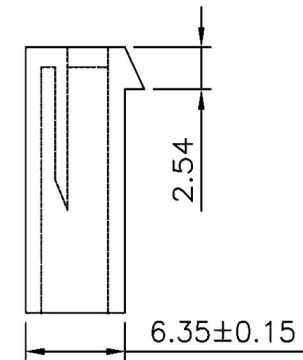
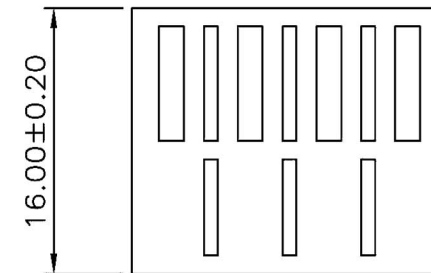
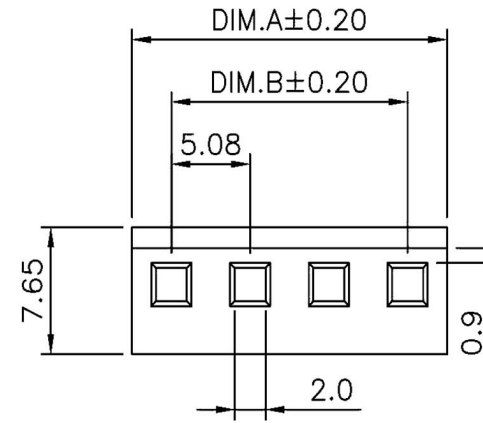


FEATURES:

- . 2-20 Circuits
- . With locking ramp
- . Nylon66 [UL 94V-2]
- . Mates with .045[1.14mm] square or round pins

SPECIFICATIONS:

- . Current rating: 7A AC. DC
- . Voltage rating: 250V AC. Maximum
- . Temperature range: -40°C ~+ 105°C
- . Contact resistance: Initial Value/10mΩ max.
After environmental testing
/20mΩ max.
- . Insulation resistance: 5000 MΩ min
- . Withstand Voltage: 1500V AC/minute
- . Applicable wires: AWG #22~#18



PIN數	DIM.A	DIM.B
02	10.16	5.08
03	15.24	10.16
04	20.32	15.24
05	25.40	20.32
06	30.48	25.40
07	35.56	30.48
08	40.64	35.56
09	45.72	40.64
10	50.80	45.72

PIN數	DIM.A	DIM.B
11	55.88	50.80
12	60.96	55.88
13	66.04	60.96
14	71.12	66.04
15	76.20	71.12
16	81.28	76.20
17	86.36	81.28
18	91.44	86.36
19	96.52	91.44
20	101.6	96.52

<p>RoHS Compliant</p>		<p>HSM 玄茂科技股份有限公司 HSUAN MAO TECHNOLOGY CO., LTD.</p>	
<p>APPD. 核准</p>		<p>TOLERANCE 容許公差 .0 ± 0.30 .00 ± 0.20 ANG. ± 3°</p>	<p>PART NAME 品名 5.08mm HOUSING 1XXXP WITH LOCKING RIBS WHITE COLOR UL94V-2 ROHS</p>
<p>DWG. 製圖 Betty</p>	<p>SCALE 比例 參考</p>	<p>UNIT 單位 MM</p>	<p>PART NO. 料號 H5090-XXPYWA00R</p>
<p>DATE 製表日 2014/06/25</p>	<p>PAGE 張數 1 OF 1</p>	<p>REV. 版次 B</p>	