

**Features:**

- 2 ~ 12 circuits available

**Specification:**

- Current rating and wire size:

Wire Size AWG	Circuits			
	2, 3	4 ~ 6	7 ~ 10	11, 12
# 16	9 A	8 A	7 A	6 A
# 18	9 A	8 A	7 A	6 A
# 20	7 A	6 A	5 A	5 A
# 22	5 A	4 A	4 A	4 A
# 24	4 A	3 A	3 A	3 A
# 26	3 A	2 A	2 A	2 A
# 28	2 A	1 A	1 A	1 A

- Voltage rating: 600V (R.M.S.)
- Insulation resistance: DC 500V 1000MΩ min.
- Dielectric withstanding voltage: 1500V AC/minute
- Ambient temperature range: -40°C ~ 105°C  
(including temperature rise)

**Dimensional Information ( mm )**

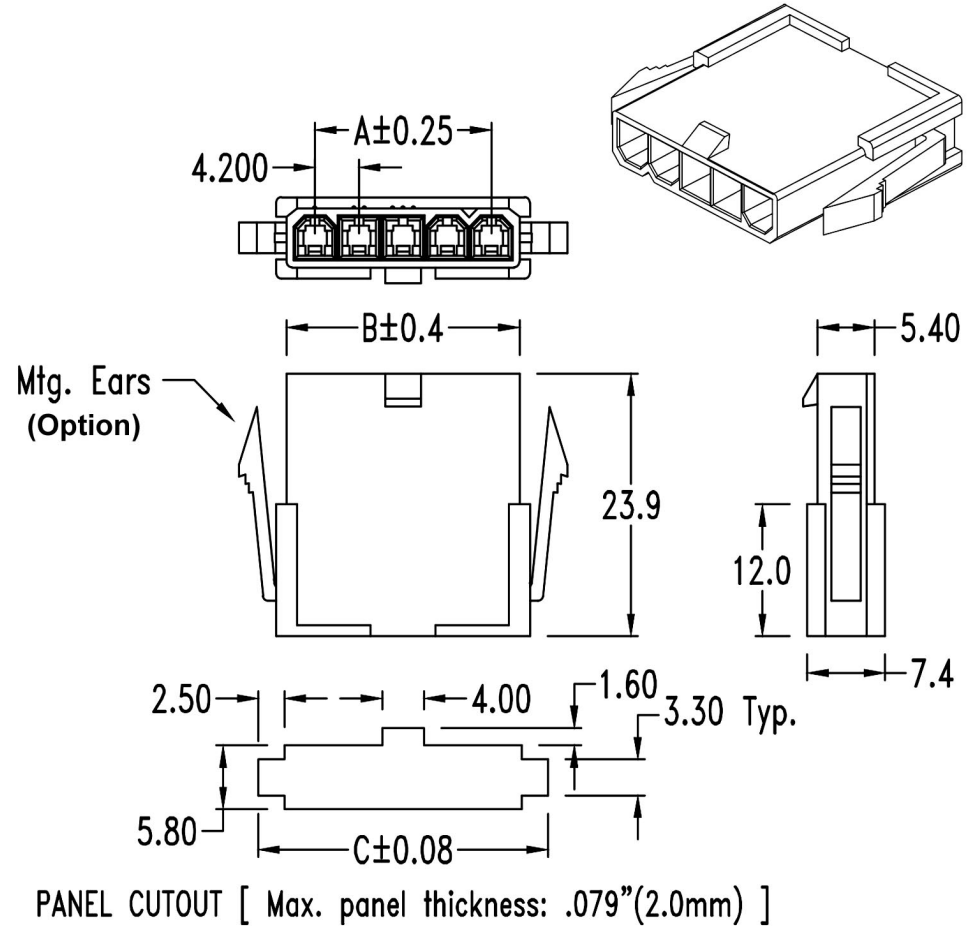
Circuits	Dim. A	Dim. B	Dim. C
N	4.2 x ( N - 1 )	4.2 x N + 1.2	4.2 x N + 6.6

&& N = 2 ~ 12

**Ordering Information**

Part No.	Material	Feature
H5050-XXPSWA00R	UL 94V-2	Without Mtg. Ears
H5050-XXPSW000R		With Mtg. Ears
H5050-XXPSWA01R	UL 94V-0	Without Mtg. Ears
H5050-XXPSW001R		With Mtg. Ears

&& xx = 02 ~ 12



RoHS Compliant		HSM 玄茂科技股份有限公司 HSUAN MAO TECHNOLOGY CO., LTD.	
APPD. 核准	SCALE 比例 参考	TOLERANCE .000 ± 0.08 ( mm ) .00 ± 0.25 ( mm ) .0 ± 0.40 ( mm )	PART NAME 品名 MINI FIT 4.2mm FEMALE HOUSING 1XXXP ROHS
DWG. 製圖 Betty	UNIT 單位 M M	SIZE 紙張尺寸 A 4	PART NO. 料號 H5050-XXPSWX0XR
DATE 製表日 2018/06/01	PAGE 張數 1 OF 1	REV. 版次 B	