

TPA Type

Pin 1

Features:

- 4 ~ 16 circuits available
- Material: PA4T, UL 94V-0, Black

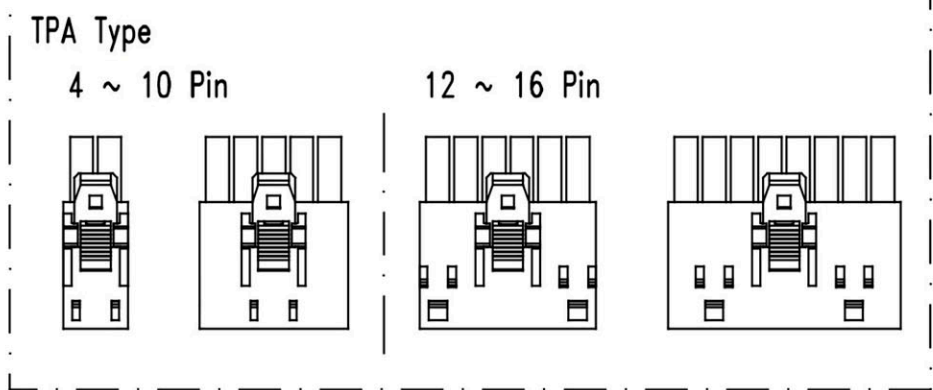
Specification:

- Current rating: 8A at #16 AWG
- Voltage rating: 400V AC (RMS) or 400V DC Max.
- Insulation resistance: 1000MΩ Min.
- Dielectric withstanding voltage: 1800V AC/minute
- Ambient temperature range: -40°C ~ 105°C

Dimensional Information ( mm )

Circuits	Dim. A	Dim. B
N	1.75 x N - 3.5	1.75 x N + 1

&& N = 4 ~ 16



APPD. 核准	SCALE 比例 参考	TOLERANCE 容許公差 0 ± 0.35 .00 ± 0.25 ANG. ± 5°	PART NAME 品名 3.5MM FEMALE HOUSING SINGLE ROW 2X??PIN TPA TYPE KEY A BLACK COLOR MATERIAL:PA4T UL94V-0 ROHS
DWG. 製圖 Helen	DATE 制表日 2024/1/16	PAGE 張數 1 OF 1	REV. 版本 A
RoHS Compliant			<p><b>HSM 玄茂科技股份有限公司</b></p> <p><b>HSUAN MAO TECHNOLOGY CO., LTD.</b></p> <p>PART NO. H4352-XXPDICB0R</p> <p>料號</p>