

**Features:**

- Available in 2 thru 24 circuits
- Material: UL 94V-0 nylon
- Standard color: Black
- Recommended panel thickness: 1.57mm

**Specifications:**

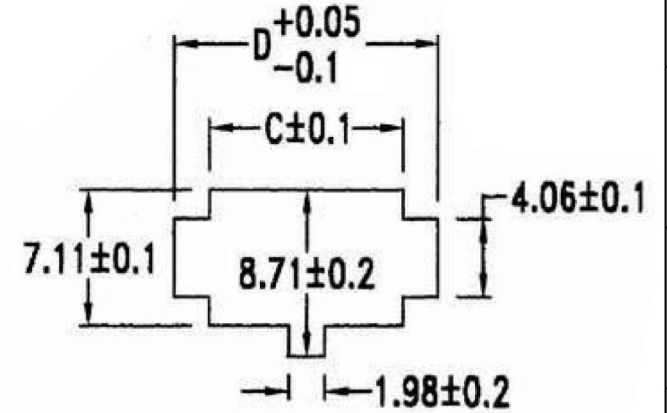
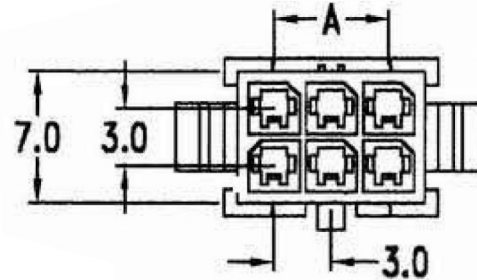
- Current rating:

Wire size	# 20	# 22	# 24	# 26	# 28	# 30
Ampere	5 A	5 A	4 A	3 A	2 A	1 A

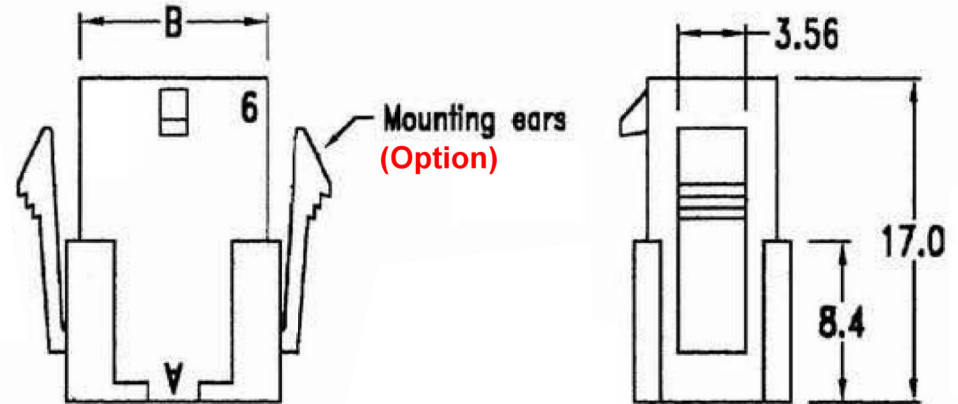
- Voltage rating: 250V AC(RMS) or DC
- Insulation resistance: 1000mΩ Min.
- Dielectric strength: 1500V AC/minute
- Temperature rise: 30°C max.  
(carry rated current load)

**Ordering Information**

Part No.	Feature
H4030-XXPDB000R	With mounting ears
H4030-XXPDB001R	Without mounting ears



PANEL OPENING



**Dimensional Information**

Circuits	Dim. A	Dim. B	Dim. C	Dim. D	Circuits	Dim. A	Dim. B	Dim. C	Dim. D
2		4.0	4.21	7.90	14	18.0	22.0	22.20	25.88
4	3.0	7.0	7.21	10.90	16	21.0	25.0	25.20	28.88
6	6.0	10.0	10.21	13.89	18	24.0	28.0	28.20	31.88
8	9.0	13.0	13.21	16.89	20	27.0	31.0	31.22	34.87
10	12.0	16.0	16.21	19.89	22	30.0	34.0	34.22	37.87
12	15.0	19.0	19.21	22.89	24	33.0	37.0	37.22	40.87

RoHS  
Compliant

**HSM** 玄茂科技股份有限公司  
HSUAN MAO TECHNOLOGY CO., LTD.

APPD. 核准 BETTY  
DWG. 製圖 BETTY  
DATE 制表日 2010/09/17

UNLESS OTHERWISE SPECIFIED TOLERANCE  
.000 ± 0.05 (mm)  
.00 ± 0.15 (mm)  
.0 ± 0.25 (mm)  
SCALE 比例 參考  
UNIT 單位 M M  
PAGE 張數 1 OF 1  
REV. 版次 A

PART NAME 品名  
MICRO-FIT 3.0 FEMALE HOUSING  
DUAL ROW 2X10P BLACK INSULATOR  
ROHS  
PART NO. H4030-XXPDB00XR  
料號