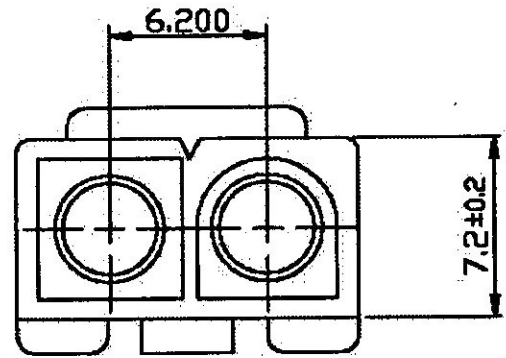
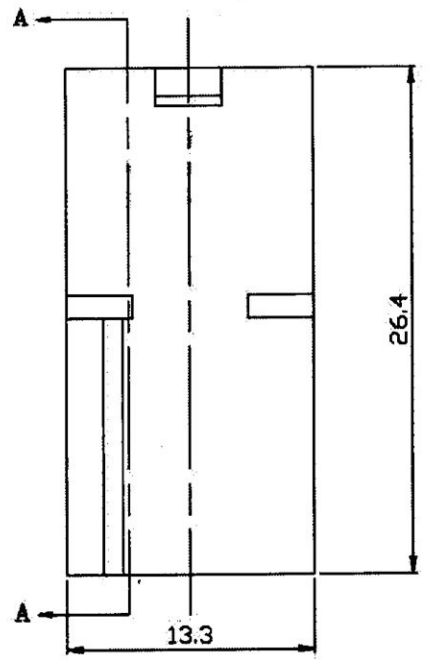
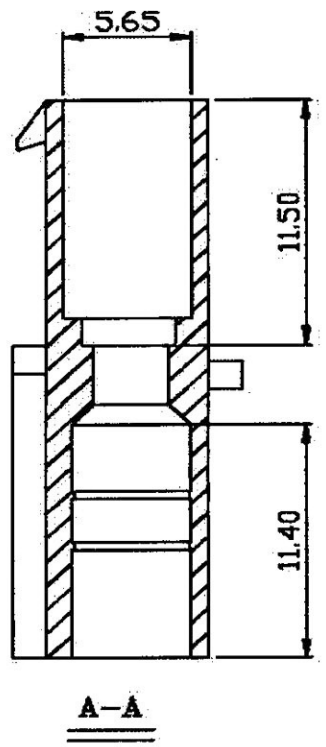


1 2 3 4 5 6 7 8

A
B
C
D
E
F
G
H

A
B
C
D
E
F
G
H



Specifications:

- Poles: 2 Poles
- Pitch Between Poles: 6.2mm
- Current Rating: 5A
- Voltage Rating: 250V AC, DC
- Temperature Range: -25~+85°C
- Contact Resistance: Initial value/10mΩ max
After environmental testing/20mΩ
- Withstand Voltage: 1500V AC/minute
- Insulation Resistance: 1000 MΩ/min
- Material: Nylon UL94V-2

APPD. 核准 DWG. 製圖 DATE 制表日		HELEN 2008/12/5		TOLERANCE 零件公差 0 ± 0.25 .00 ± 0.13 ANG. ±		PART NAME 品名 JST 6.2mm φ2.0mm FEMALE HOUSING 1X2P WITHOUT EAR WHITE ROHS	
RoHS Compliant		HSM 玄茂科技股份有限公司 HSUAN MAO TECHNOLOGY CO., LTD.		SCALE 比例 UNIT 單位 M M		SIZE. 線規尺寸 A 4	
PAGE 張數 1 OF 1		REV. 版本 A		PART NO. 料號 H2020-02PSNW00R			

1 2 3 4 5 6 7 8