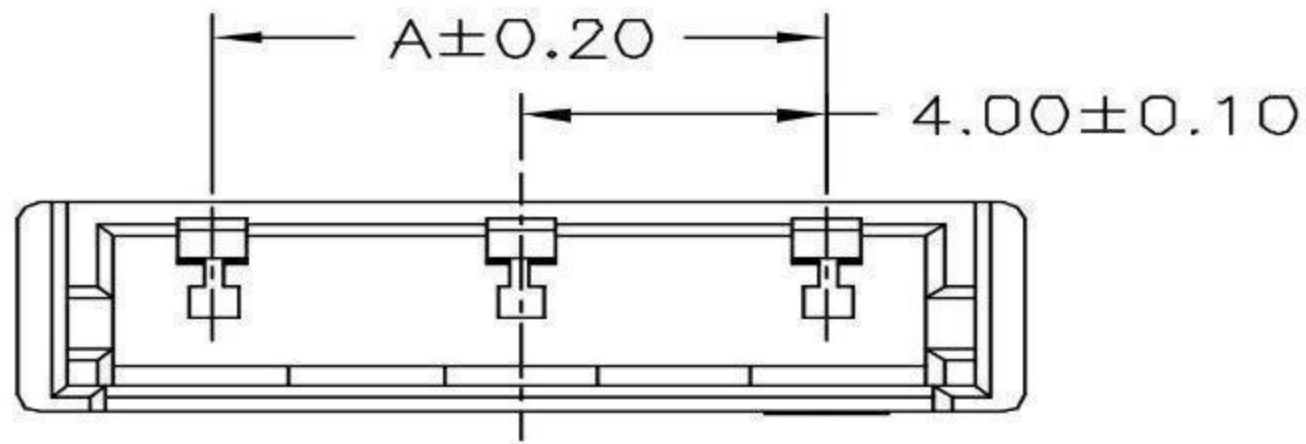


1 2 3 4 5 6 7 8

A



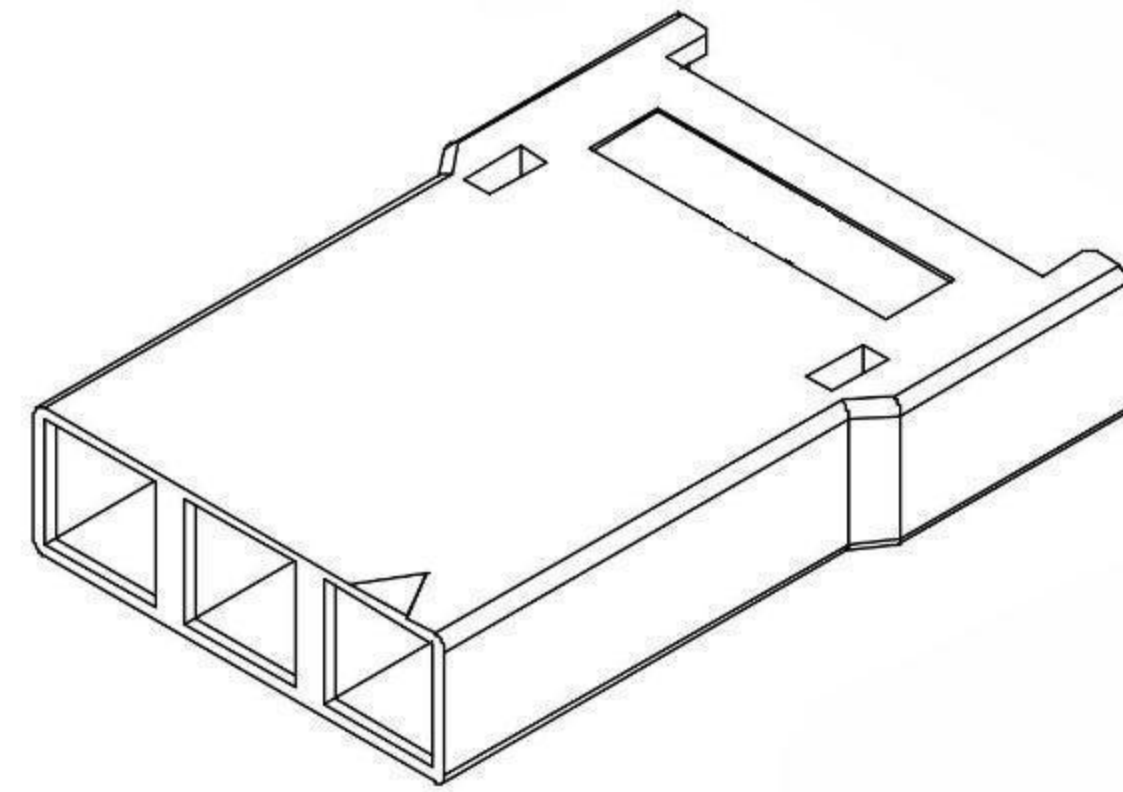
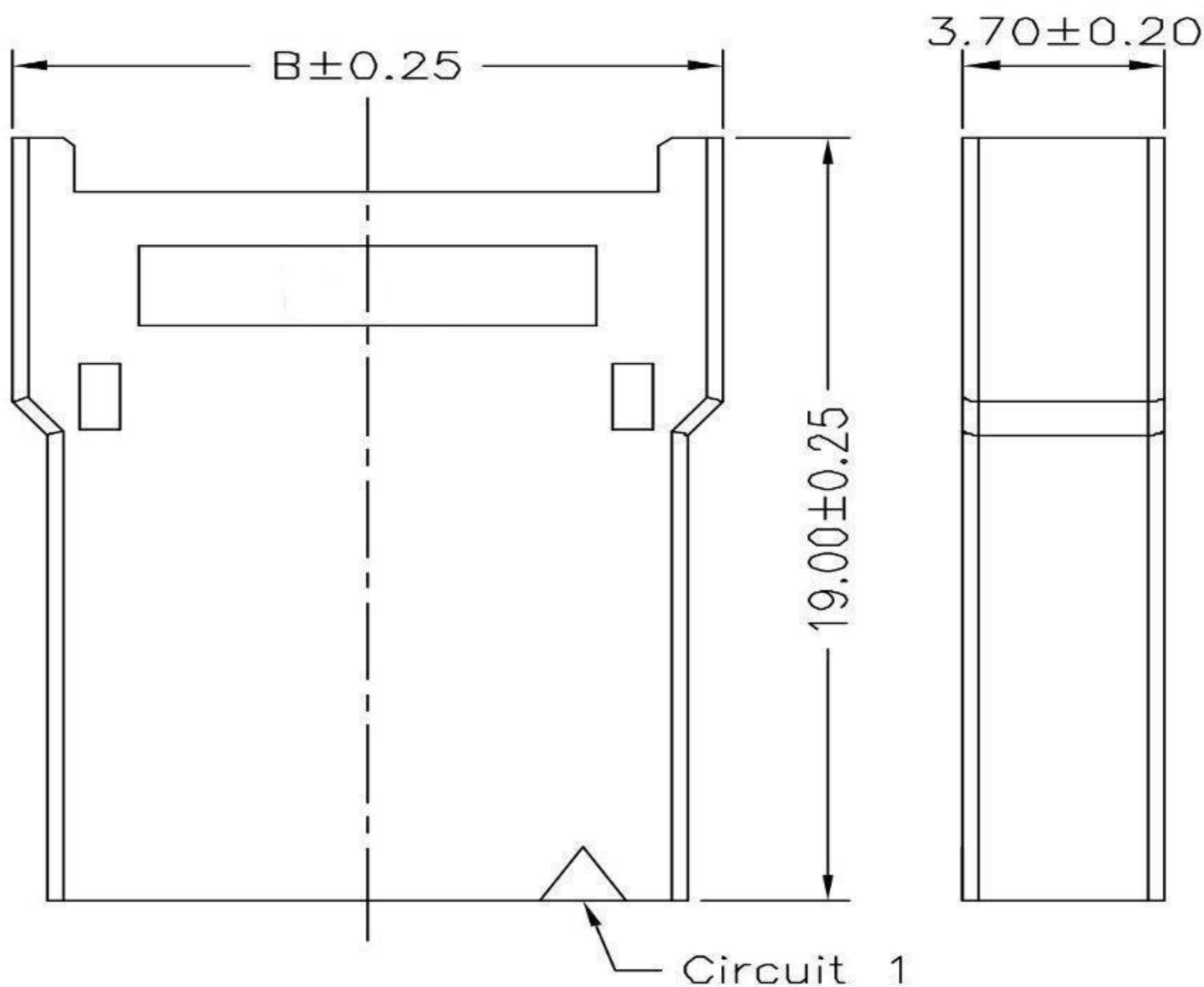
B

C

D

E

F



A

B

C

D

E

F

Ordering Information & Dimensions

PART NO.	Dimensions	
	A	B
02P	4.00	9.10
03P	8.00	13.10
04P	12.00	17.10
05P	16.00	21.10

SPECIFICATIONS

Current Rating: 1A AC,DC
 Voltage Rating: 600V AC,DC
 Temperature Range: -25°C ~ +85°C
 Contact Resistance: 10mΩ Max
 Insulation Resistance: 1000MΩ Min
 Withstanding Voltage: 1800V AC/minute
 Material: Nylon66,UL94V-0
 Color: Natural(White)

G

H

RoHS Compliant		HSM 玄茂科技股份有限公司 HSUAN MAO TECHNOLOGY CO., LTD.	
APPD. 核准 HELEN	SCALE 比例 参考	TOLERANCE X.X±0.25 X.XX±0.15 X.XXX±0.05	PART NAME 品名 JST BH 4.0mm FEMALE HOUSING 1X3P WHITE INSULATOR MATERIAL: NYLON66 UL94-V0 ROHS
DWG. 製圖 HELEN	UNIT 單位 MM	SIZE 紙張尺寸 A4	PART NO. 料號 H2018-XXPW0000R
DATE 制表日 2010/2/11	PAGE 張數 1 OF 1	REV. 版本 A	

1 2 3 4 5 6 7 8