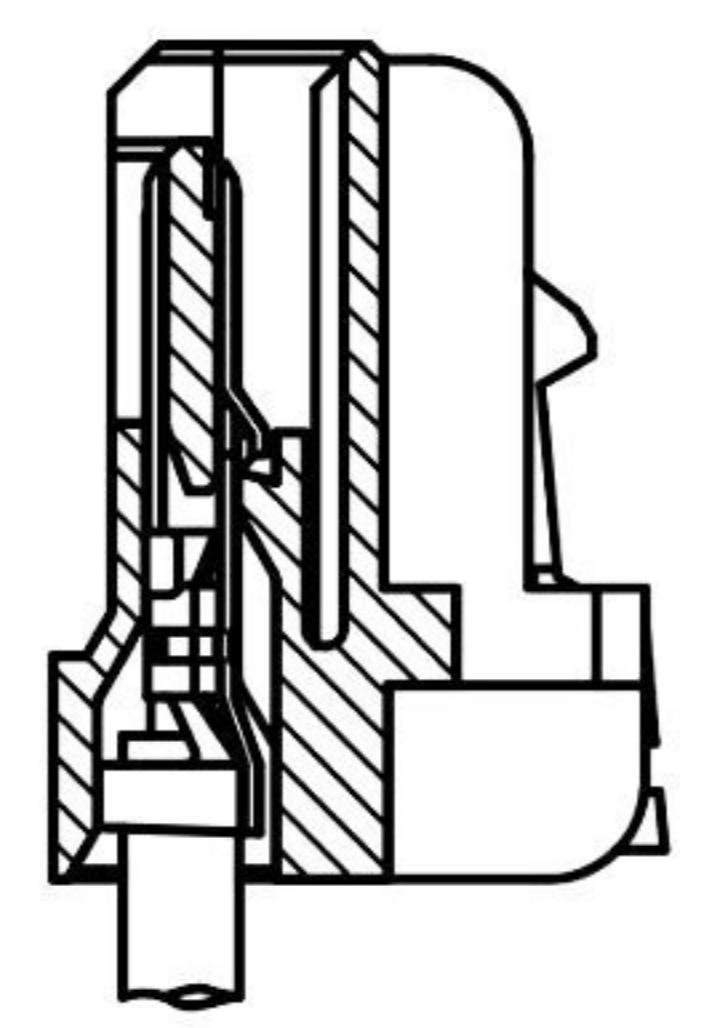
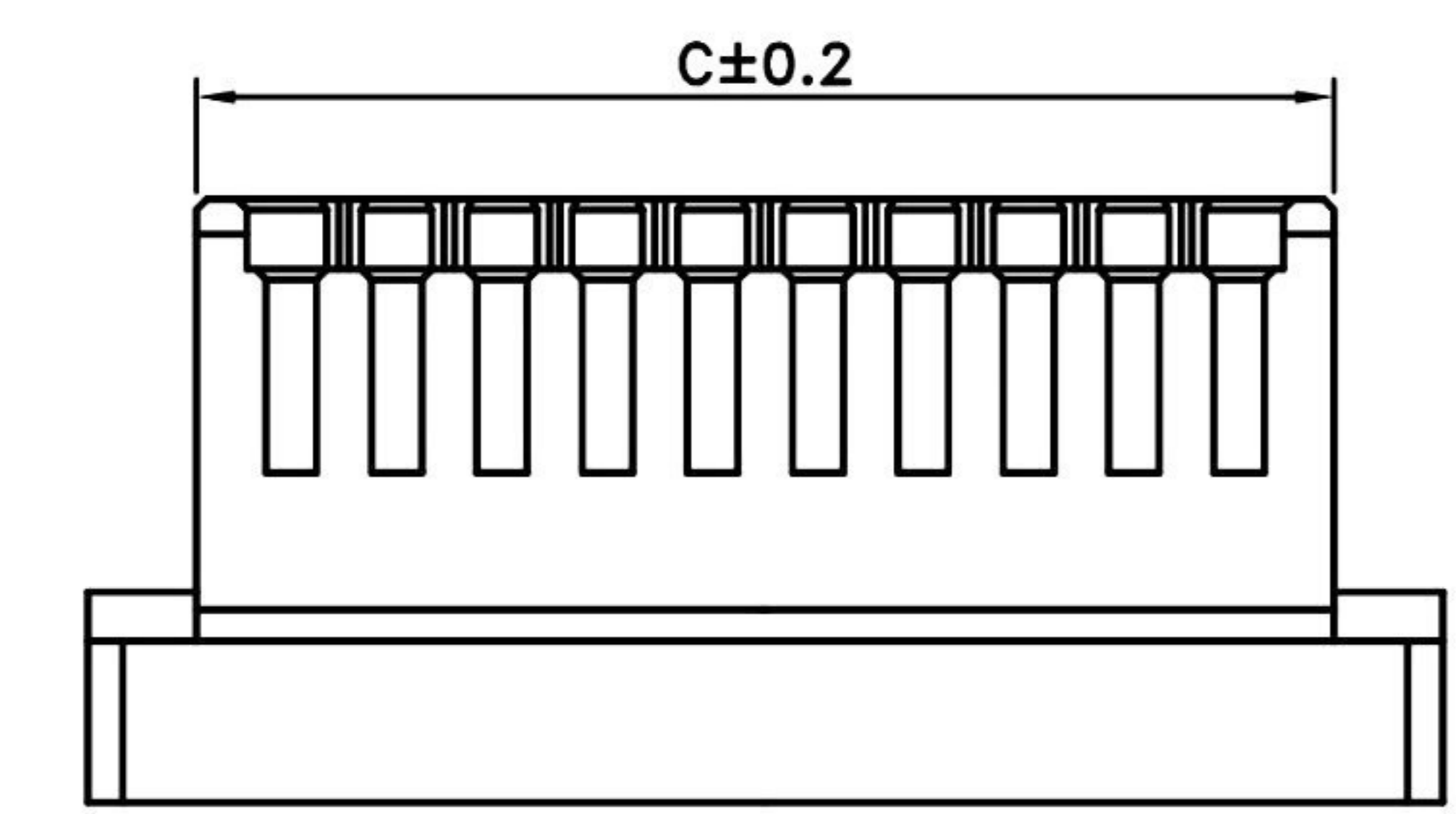


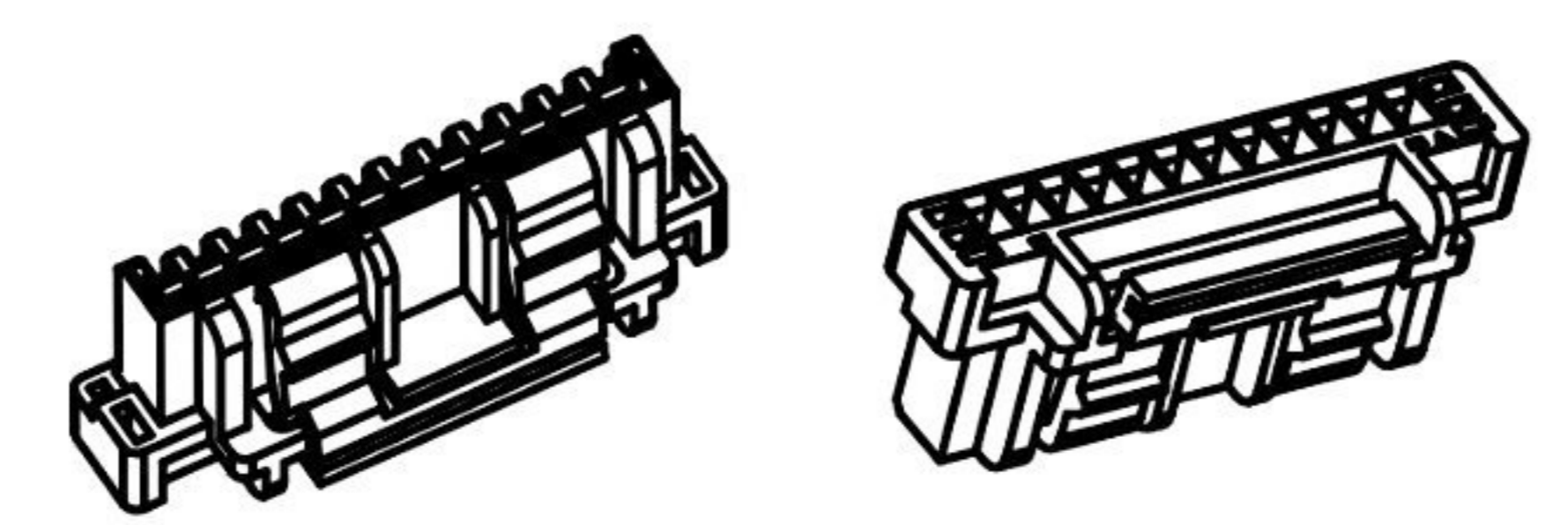
1 2 3 4 5 6 7 8

A
B
C
D
E
F
G
H

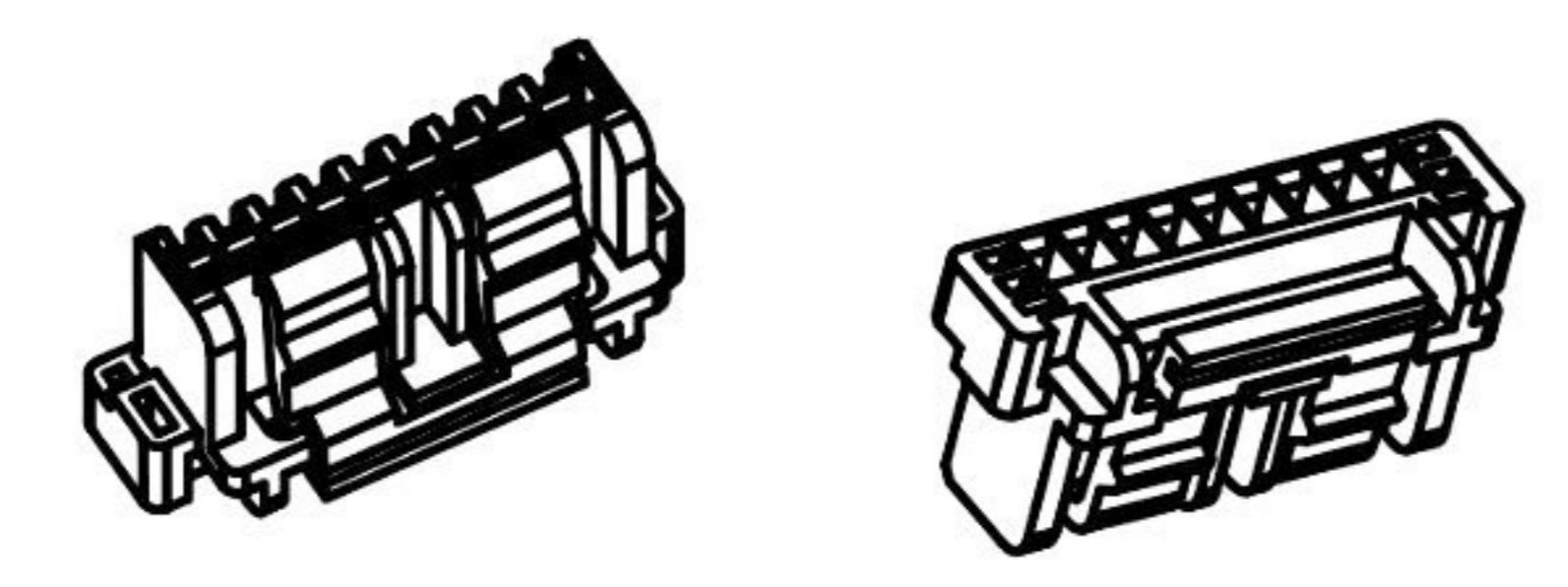
A
B
C
D
E
F
G
H



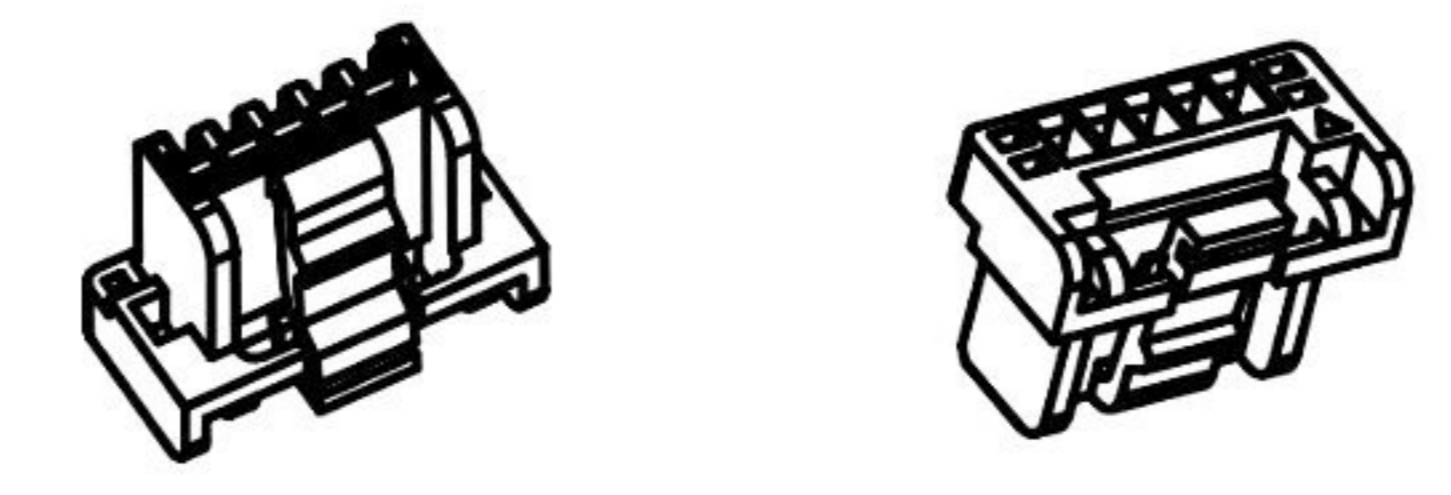
Mated Drawing(REF.)



12 pin 3D view



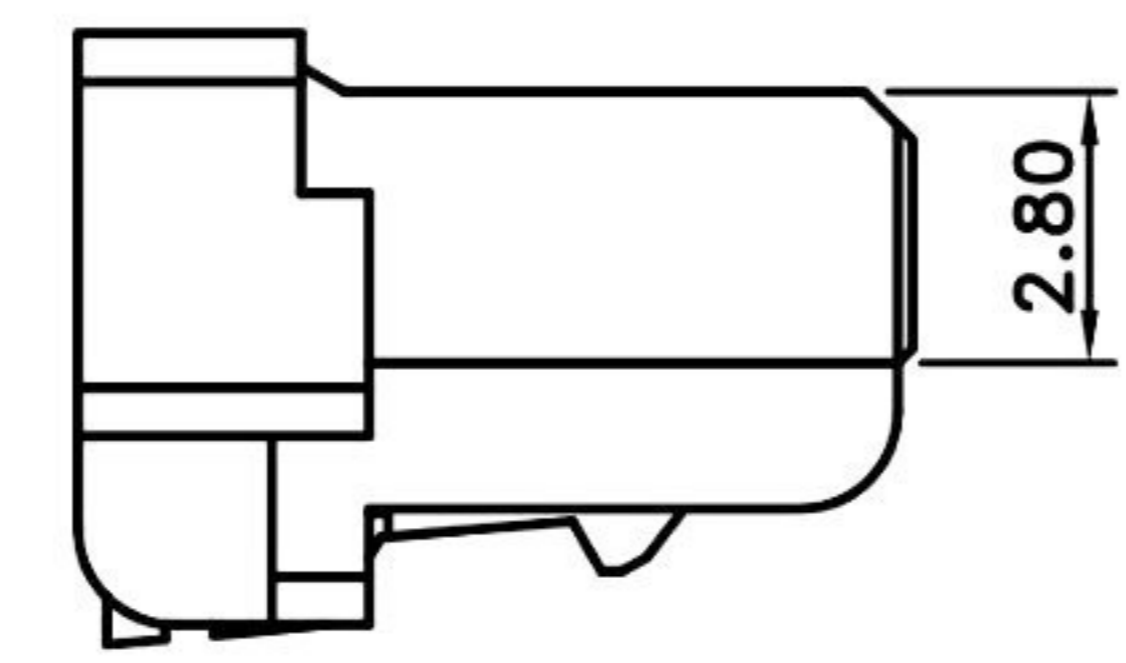
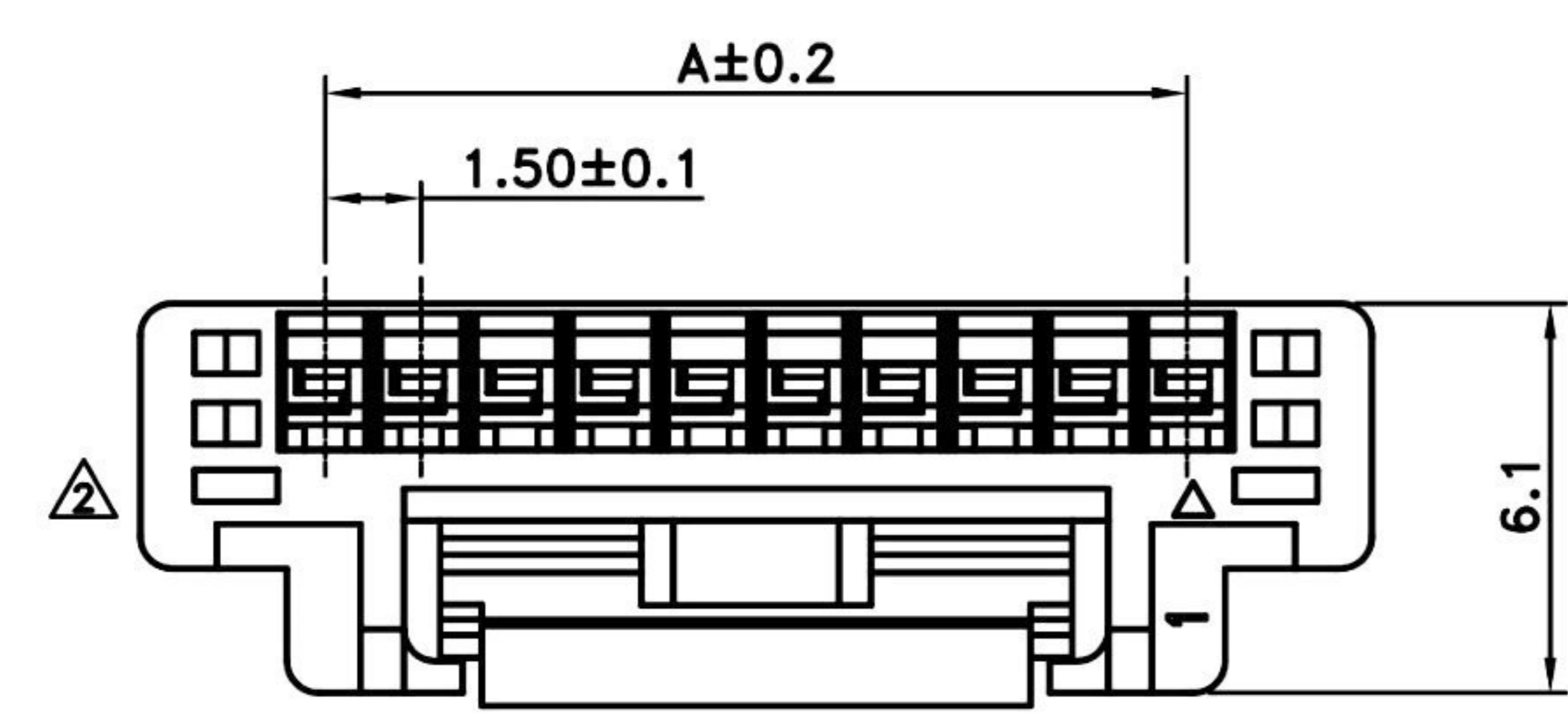
9 pin 3D view



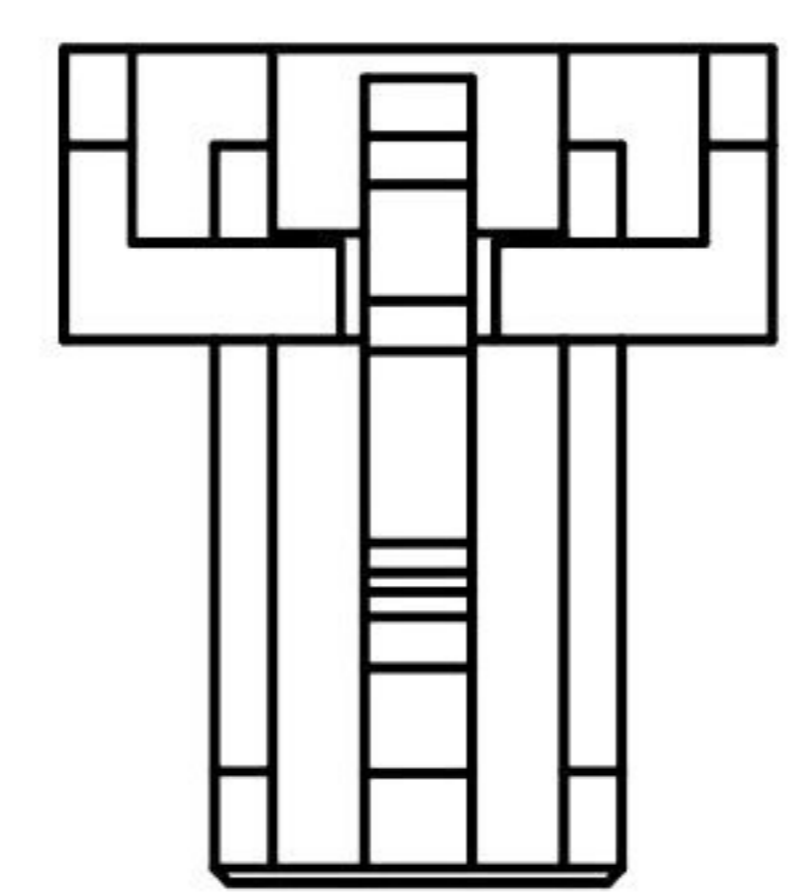
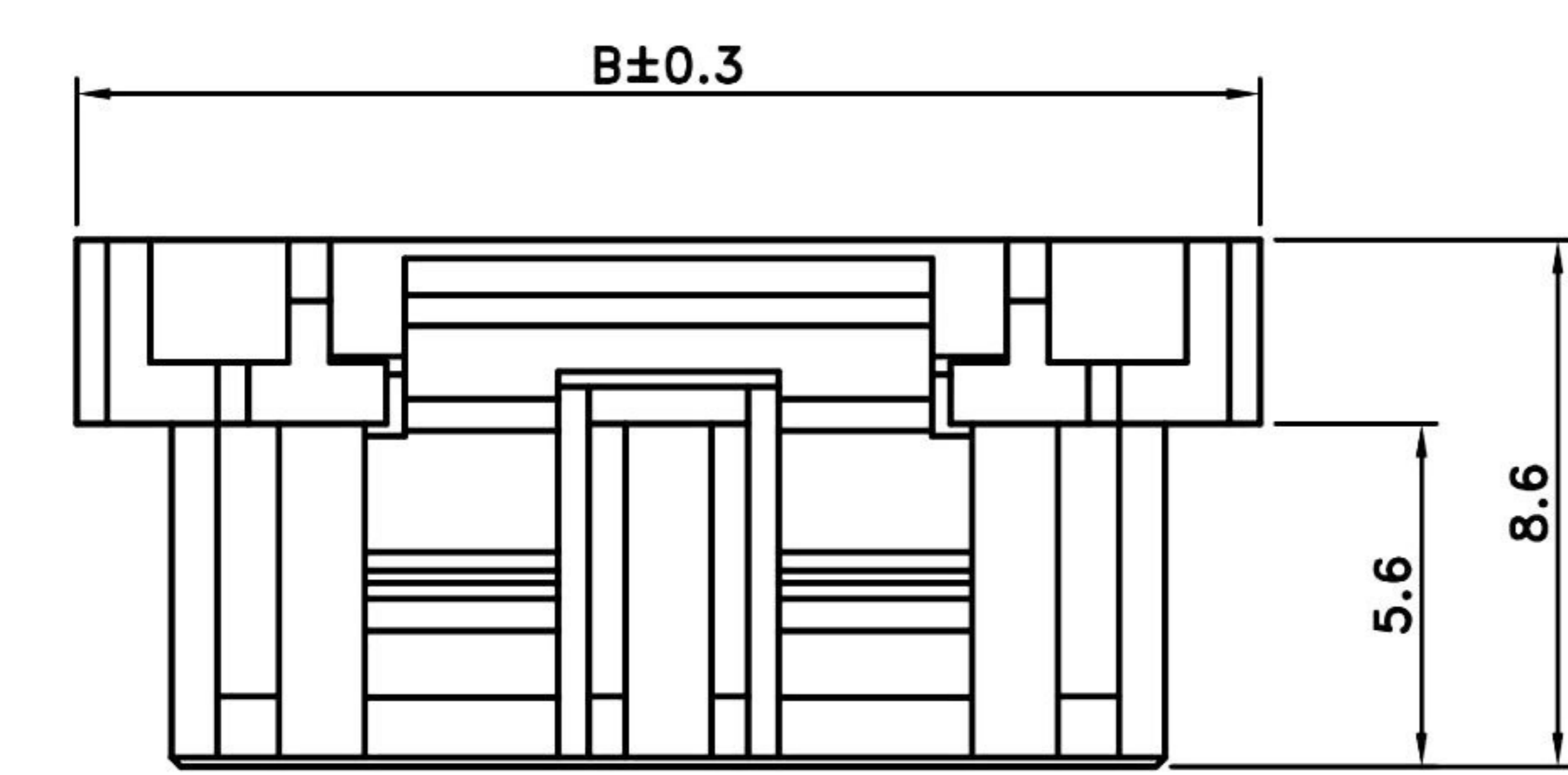
5 pin 3D view

- SPECIFICATIONS
- Current Rating : 2A AC/DC
 - Withstanding Voltage : 500V AC/minute
 - Insulation Resistance : 500MΩ min.
 - Temperature Range : - 40°C to + 85°C
 - Contact Resistance : 20mΩ max.

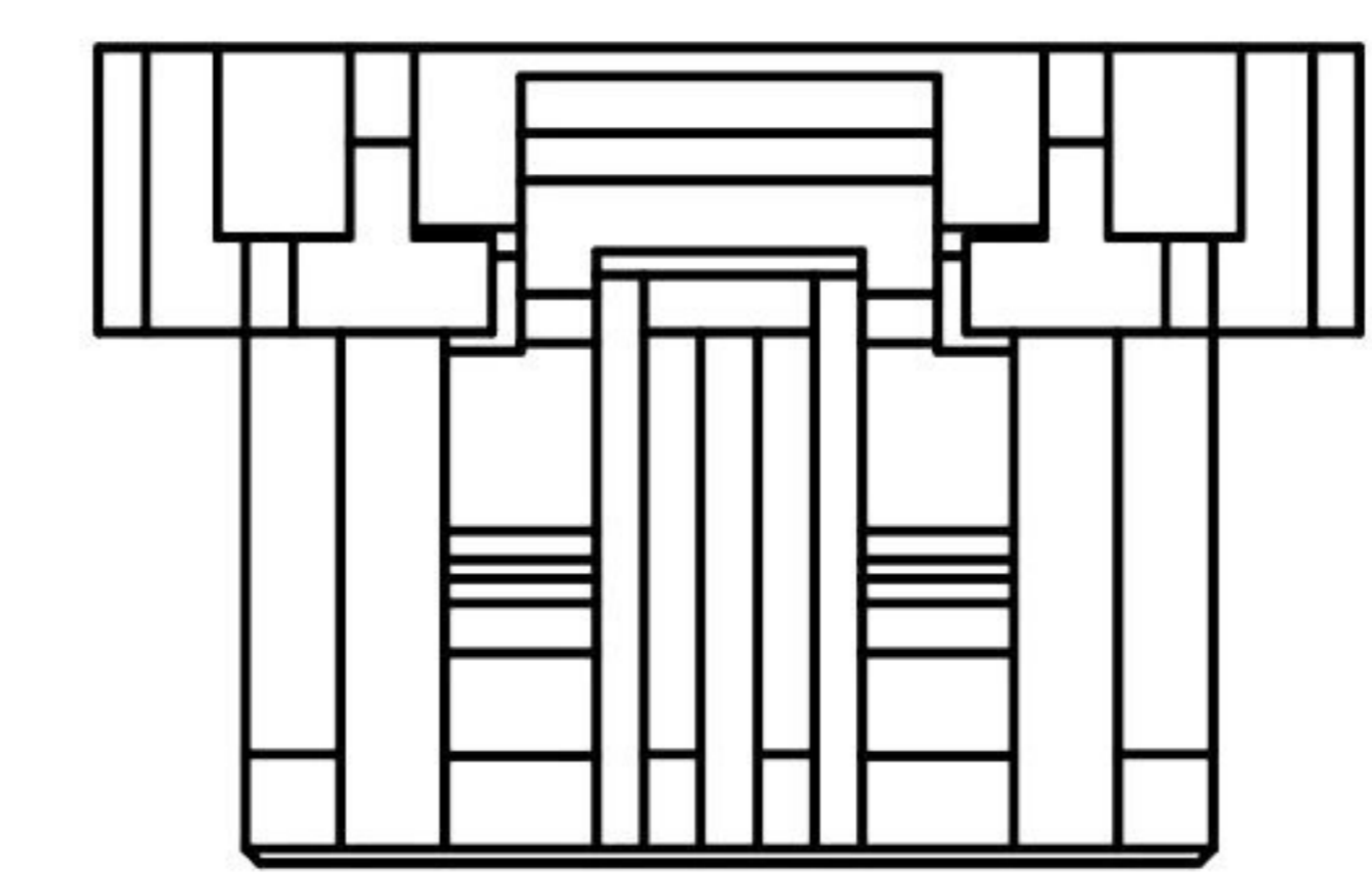
- HOUSING
- Poles : 2~15
 - Material : PBT UL94V-0
 - Mating Terminal :
 - AWG #26~#30
 - Insulation O.D.: 0.7mm~1.02mm
 - AWG #24~#28
 - Insulation O.D.: 0.78mm~1.28mm



Poles	Dimension(mm)		
	A	B	C
2	1.50	7.30	4.20
3	3.00	8.80	5.70
4	4.50	10.30	7.20
5	6.00	11.80	8.70
6	7.50	13.30	10.20
7	9.00	14.80	11.70
8	10.50	16.30	13.20
9	12.00	17.80	14.70
10	13.50	19.30	16.20
11	15.00	20.80	17.70
12	16.50	22.30	19.20
13	18.00	23.80	20.70
14	19.50	25.30	22.20
15	21.00	26.80	23.70



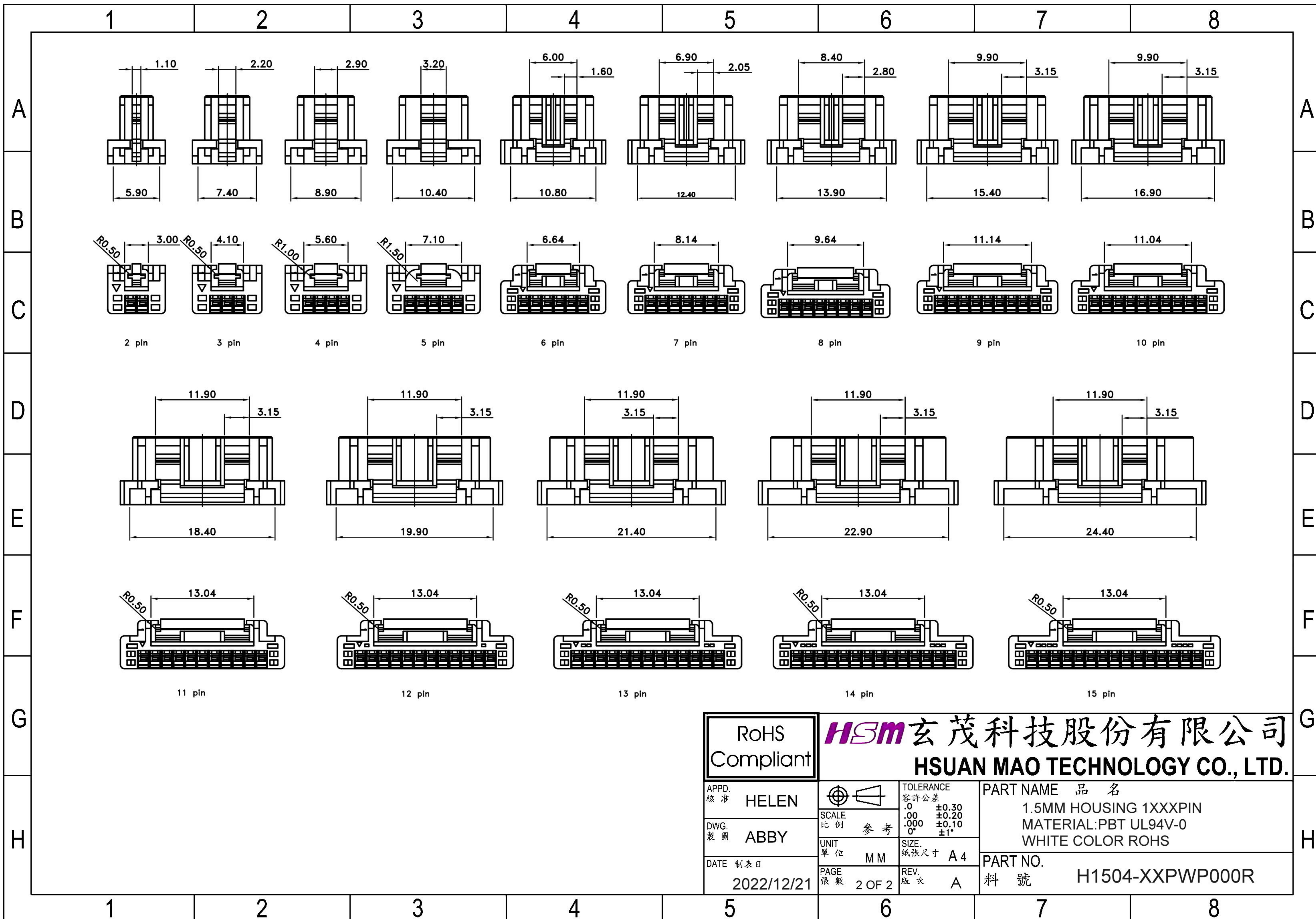
2~5PIN



6~9PIN

RoHS Compliant		HSM 玄茂科技股份有限公司	
		HSUAN MAO TECHNOLOGY CO., LTD.	
APPD. 核准 HELEN	SCALE 比例 參考	TOLERANCE 容許公差 .0 ±0.30 .00 ±0.20 .000 ±0.10 0 ±1*	PART NAME 品名 1.5MM HOUSING 1XXXPIN MATERIAL:PBT UL94V-0 WHITE COLOR ROHS
DWG. 製圖 ABBY	UNIT 單位 MM	SIZE. 紙張尺寸 A 4	PART NO. 料號 H1504-XXPWP000R
DATE 制表日 2022/12/21	PAGE 張數 1 OF 2	REV. 版次 A	

1 2 3 4 5 6 7 8



RoHS Compliant		HSM 玄茂科技股份有限公司 HSUAN MAO TECHNOLOGY CO., LTD.	
APPD. 核准 HELEN	SCALE 比例 參考	TOLERANCE 容許公差 .0 ±0.30 .00 ±0.20 .000 ±0.10 0° ±1°	PART NAME 品名 1.5MM HOUSING 1XXXPIN MATERIAL: PBT UL94V-0 WHITE COLOR ROHS
DWG. 製圖 ABBY	UNIT 單位 MM	SIZE 紙張尺寸 A4	PART NO. 料號 H1504-XXPWP000R
DATE 制表日 2022/12/21	PAGE 張數 2 OF 2	REV. 版次 A	