

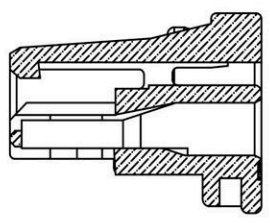
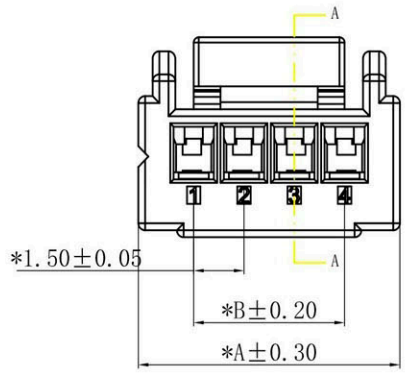
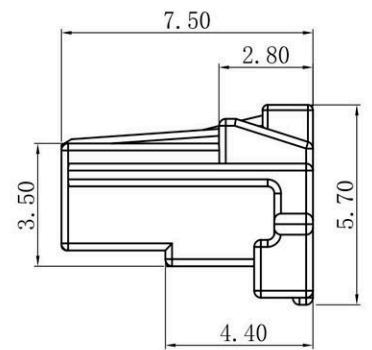
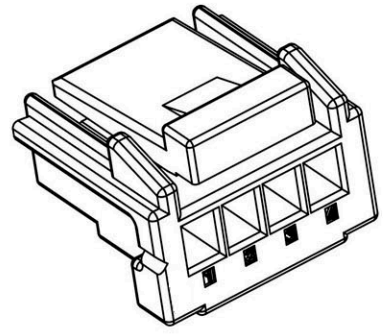
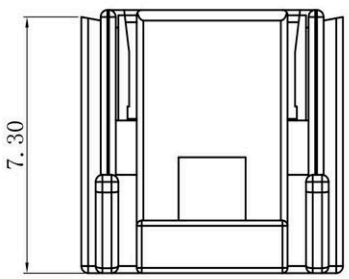
1 2 3 4 5 6 7 8

SPECIFICATIONS

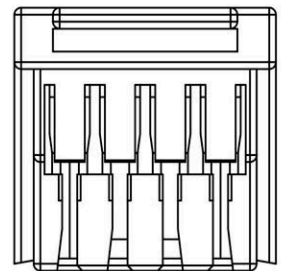
- Voltage Rating: 100V AC / DC
- Current Rating: 2A AC / DC
- Withstanding Voltage: 500V AC/minute
- Temperature Range: -25° C~+85° C
- Insulation Resistance: 500MΩ Min.
- Contact Resistance: 40mΩ Max.

***Material**

Material: PA66 UL 94V-0
Color:NATURAL



Cutaway view A-A
比例1:1



Poles	DIM	
	A	B
02	5.00	1.50
03	6.30	3.00
04	7.80	4.50
05	9.30	6.00
06	10.80	7.50
07	12.30	9.00
08	13.80	10.50
09	15.30	12.00
10	16.80	13.50
11	18.30	15.00
12	19.80	16.50
13	21.30	18.00
14	22.80	19.50
15	24.30	21.00
16	25.80	22.50

A
B
C
D
E
F
G
H

A
B
C
D
E
F
G
H

<p>RoHS Compliant</p>		<p>HSM 玄茂科技股份有限公司 HSUAN MAO TECHNOLOGY CO., LTD.</p>	
<p>APPD. 核准</p>		<p>TOLERANCE 容許公差</p> <p>0 ± 0.35 .00 ± 0.25 ANG. ± 5°</p>	<p>PART NAME 品名</p> <p>1.5MM HOUSING 1X??PIN MATERIAL:PA66 UL94V-0 WHITE COLOR ROHS</p>
<p>DWG. 製圖</p> <p>Helen</p>	<p>SCALE 比例</p> <p>參考</p>	<p>UNIT 單位</p> <p>MM</p>	<p>PART NO.</p> <p>料號 H1503-XXPW1000R</p>
<p>DATE 制表日</p> <p>2021/12/21</p>	<p>PAGE 張數</p> <p>1 OF 1</p>	<p>REV. 版本</p> <p>A</p>	

1 2 3 4 5 6 7 8