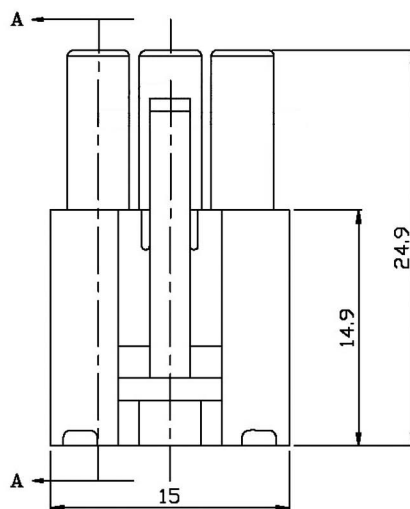
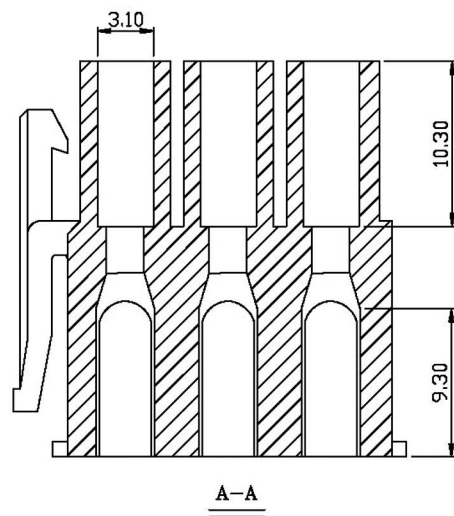


Specifications:

- Poles: 9 Poles
- Pitch Between Poles: 4.5mm
- Current Rating: 5A
- Voltage Rating: 250V AC, DC
- Temperature Range: $-25^{\circ}\text{C} \sim +85^{\circ}\text{C}$
- Contact Resistance: Initial value/10m Ω max
After environmental testing/20m Ω
- Withstand Voltage: 1500V AC/minute
- Insulation Resistance: 1000 M Ω /min
- Material: Nylon UL94V-0



RoHS Compliant		HSM 玄茂科技股份有限公司	
		HSUAN MAO TECHNOLOGY CO., LTD.	
APPD. 核准	 SCALE 比例 参考	TOLERANCE 容許公差	PART NAME 品名
DWG. 製圖		.000 ± 0.08 .00 ± 0.13 .0 ± 0.25	$\phi 1.30\text{mm}$ MALE HOUSING 3X3P WHITE COLOR ROHS LOW-LEAD
DATE 制表日	UNIT 單位	SIZE. 紙張尺寸	PART NO.
2009/10/05	M M	A 4	料號 H1130-09PTW000R
	PAGE 張數	REV. 版次	
	1 / 1	A	