

1 2 3 4 5 6 7 8

A

A

B

B

C

C

D

D

E

E

F

F

G

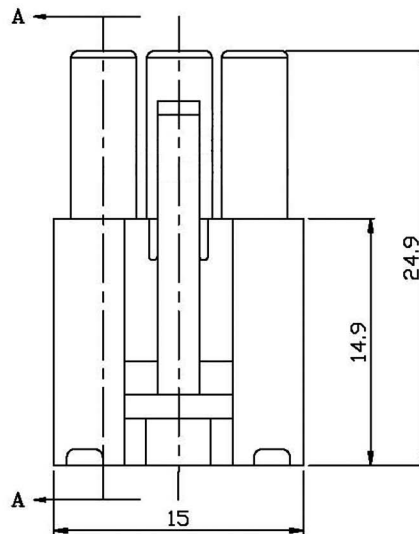
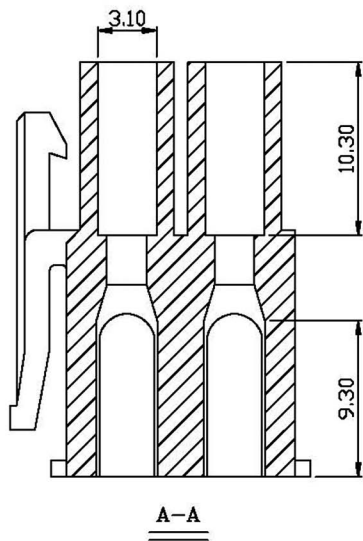
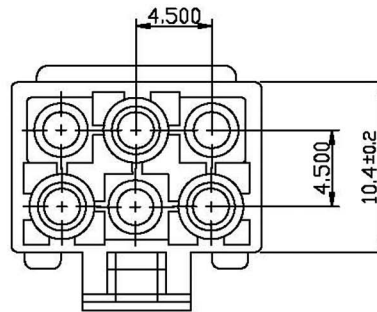
G

H

H

Specifications:

- Poles: 6 Poles
- Pitch Between Poles: 4.5mm
- Current Rating: 5A
- Voltage Rating: 250V AC, DC
- Temperature Range: -25~+85°C
- Contact Resistance: Initial value/10mΩ max
After environmental testing/20mΩ
- Withstand Voltage: 1500V AC/minute
- Insulation Resistance: 1000 MΩ/min
- Material: Nylon UL94V-0



RoHS Compliant		HSM 玄茂科技股份有限公司	
		HSUAN MAO TECHNOLOGY CO., LTD.	
APPD. 核准	 SCALE 比例 參考 UNIT 單位 MM PAGE 張數 1 / 1	TOLERANCE 容許公差 .000 ±0.08 .00 ±0.13 .0 ±0.25	PART NAME 品名 φ1.30mm MALE HOUSING 2X3P WHITE COLOR ROHS LOW-LEAD
DWG. 製圖 Hedy		SIZE 紙張尺寸 A 4	PART NO. 料號 H1130-06PDW000R
DATE 制表日 2009/10/05	REV. 版次 A		

1 2 3 4 5 6 7 8