

1 2 3 4 5 6 7 8

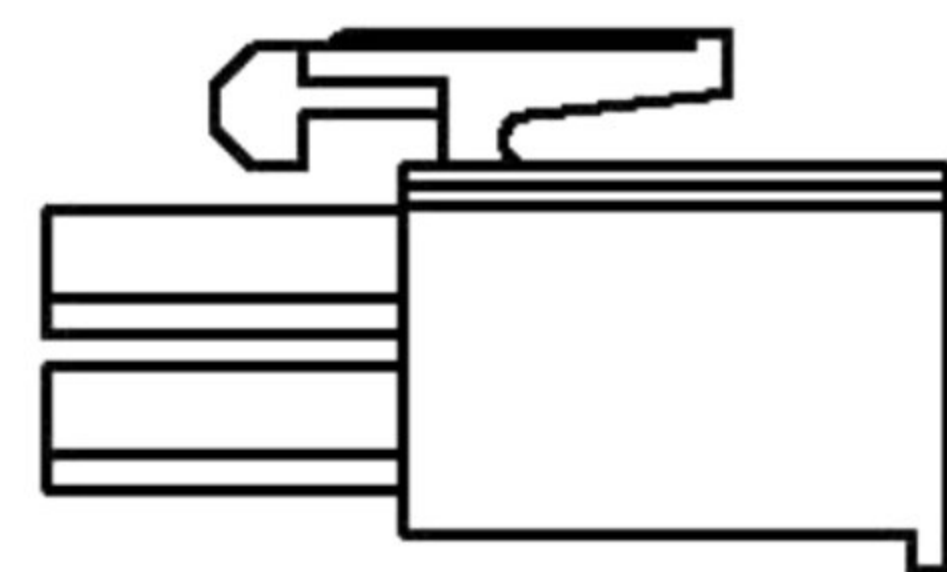
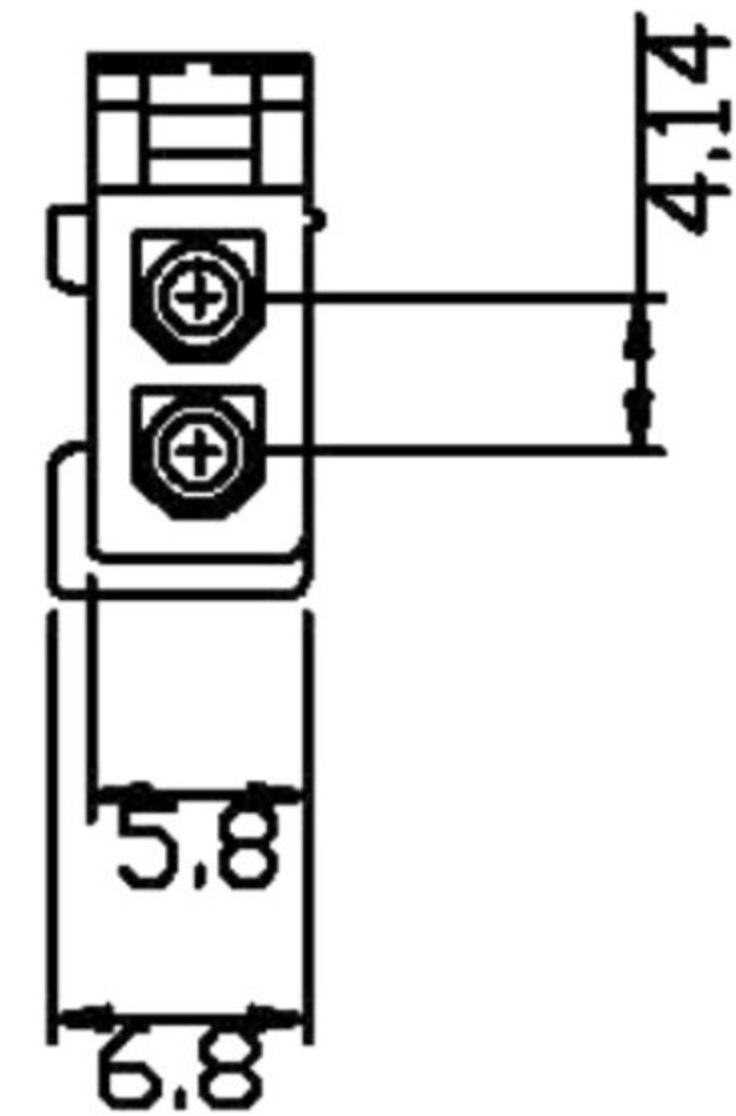
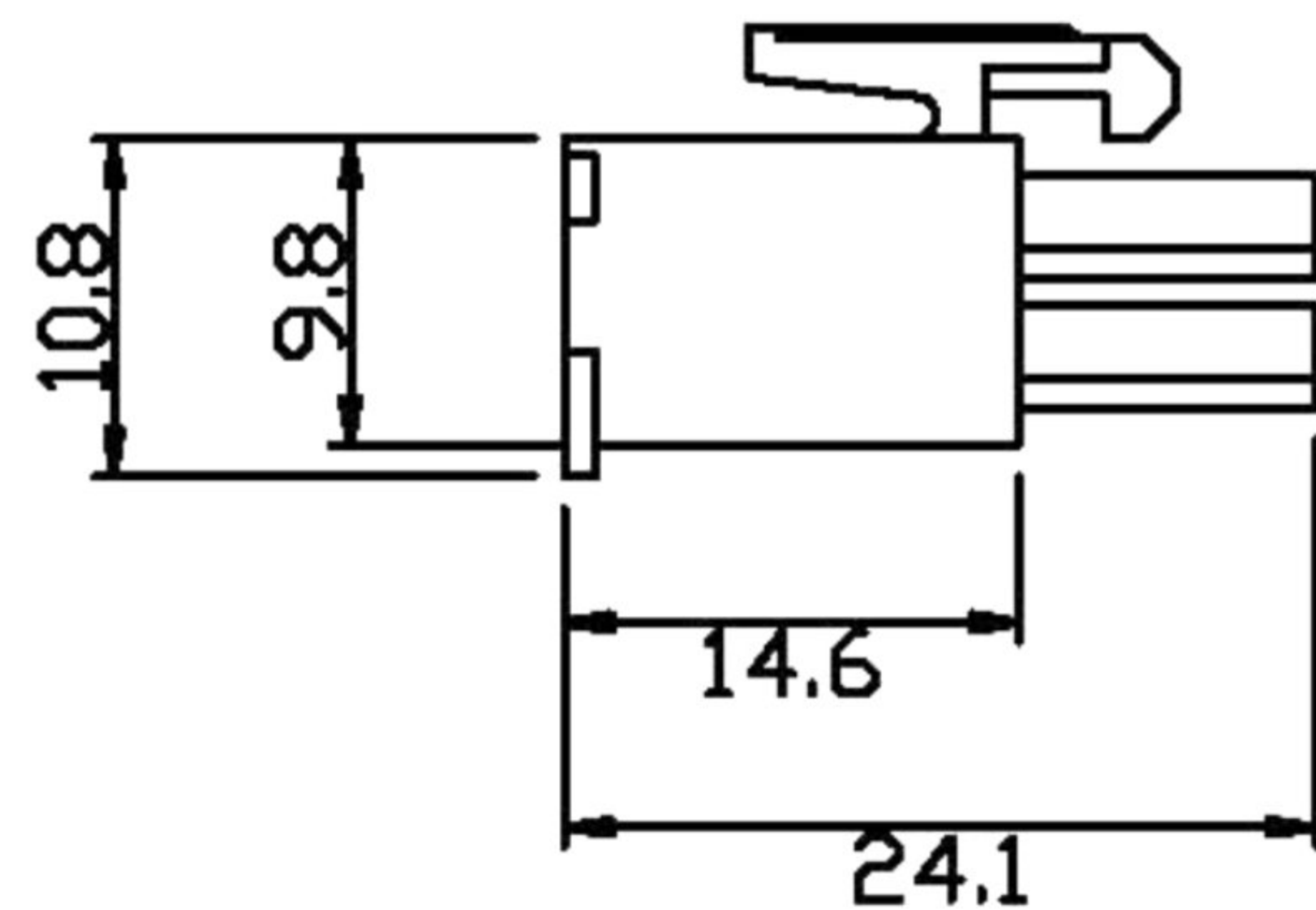
A  
B  
C  
D  
E  
F  
G  
H

A  
B  
C  
D  
E  
F  
G  
H



**Specifications:**

**Material:** Polyester, UL 94V-2  
**Voltage Rating:** 300V  
**Current Rating:** 5A  
**Withstand Voltage:** 1500V AC/Minute  
**Insulation Resistance:** 1000MΩ min.  
**Temperature Range:** -25°C~+85°C  
**Contact Resistance:** Initial value/10m max.  
 After environmental testing/20mΩ max.  
**Applicable Wire:**AWG#18 TO #24



RoHS Compliant		<b>HSM</b> 玄茂科技股份有限公司 HSUAN MAO TECHNOLOGY CO., LTD.	
APPD. 核准 HELEN	 SCALE 比例 参考 UNIT 單位 MM PAGE 張數 1 OF 1	TOLERANCE 容許公差 .0 ± .00 ± ANG. ±	PART NAME 品名 φ 1.0mm MALE HOUSING 1X2P UL94V-2 MATERIAL WHITE COLOR ROHS
DWG. 製圖 ABBY		SIZE. 紙張尺寸 A4	PART NO. 料號 H1110-02PSAW00R
DATE 制表日 2012/09/03	REV. 版次 B		

1 2 3 4 5 6 7 8