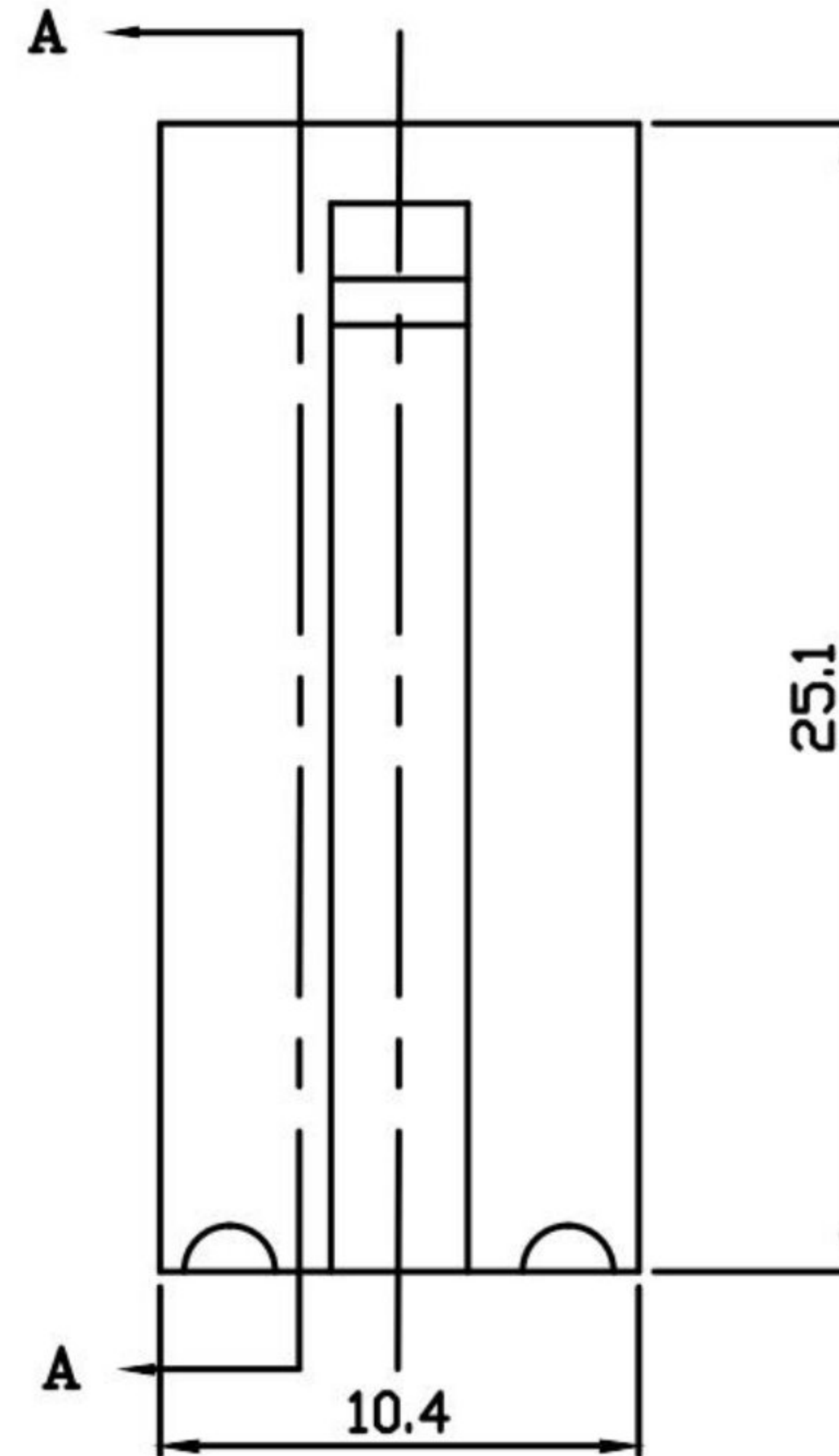
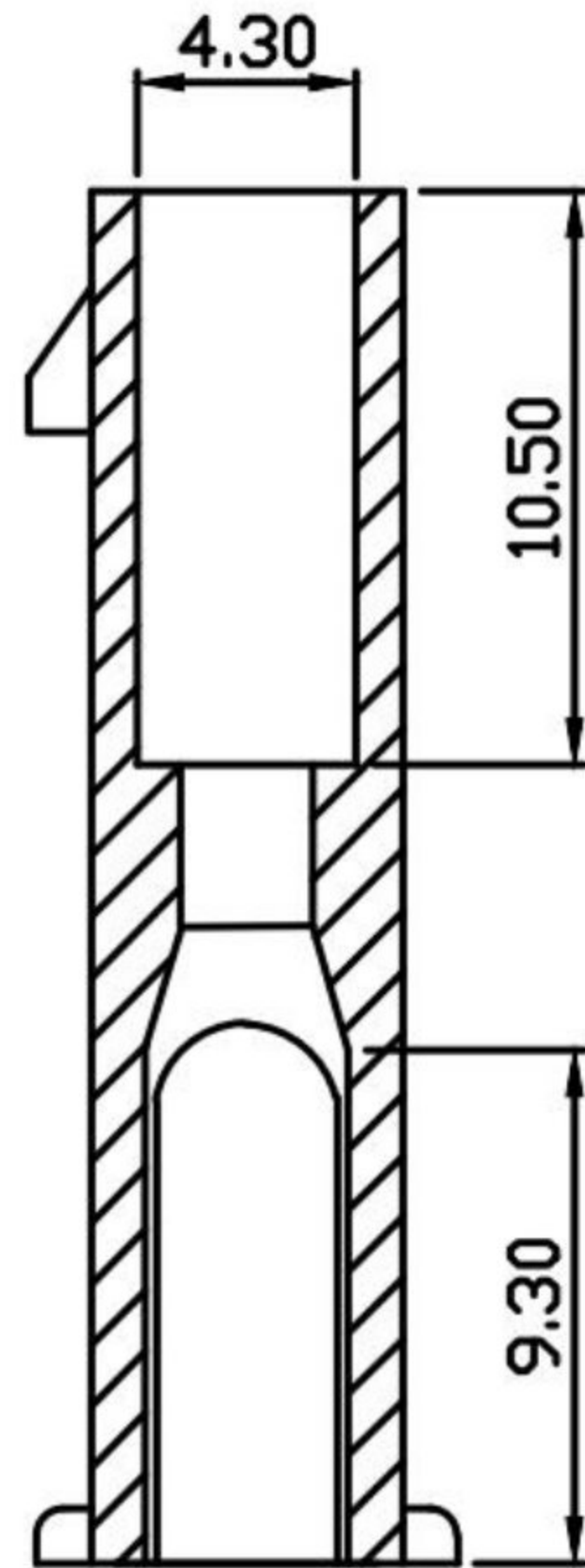


Specifications:

- Poles: 2 Poles
- Pitch Between Poles: 4.5mm
- Current Rating: 5A
- Voltage Rating: 250V AC, DC
- Temperature Range:  $-25^{\circ}\text{C} \sim +85^{\circ}\text{C}$
- Contact Resistance: Initial value/10mΩ max  
After environmental testing/20mΩ
- Withstand Voltage: 1500V AC/minute
- Insulation Resistance: 1000 MΩ/min
- Material: Nylon UL94V-0



RoHS Compliant		<b>HSM</b> 玄茂科技股份有限公司 HSUAN MAO TECHNOLOGY CO., LTD.	
APPD. 核准 HELEN	SCALE 比例 參考	TOLERANCE 容許公差 .000 :±0.08 .00 :±0.13 .0 :±0.25	PART NAME 品名 1030-1X2P φ 1.30mm FEMALE HOUSING 1X2P WHITE COLOR W/O EAR ROHS
DWG. 製圖 ABBY		UNIT 單位 MM	SIZE. 紙張尺寸 A4
DATE 制表日 2015/03/13	PAGE 張數 1 OF 1	REV. 版次 A	PART NO. 料號 H1030-02PSNW00R