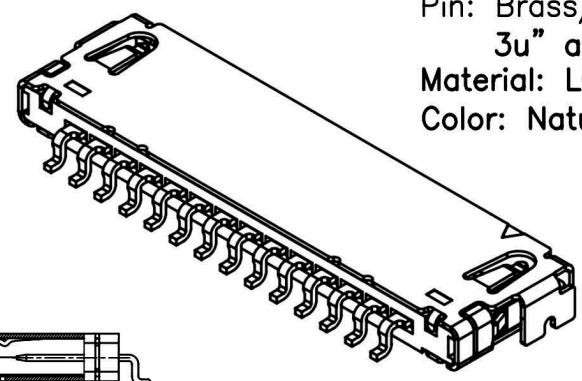
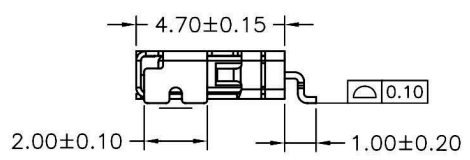
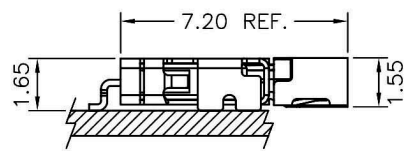
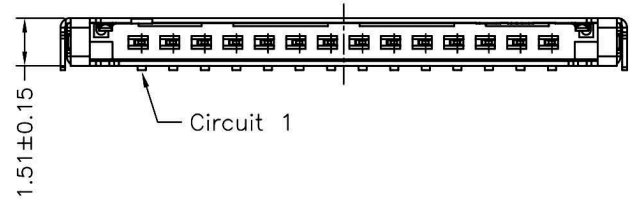
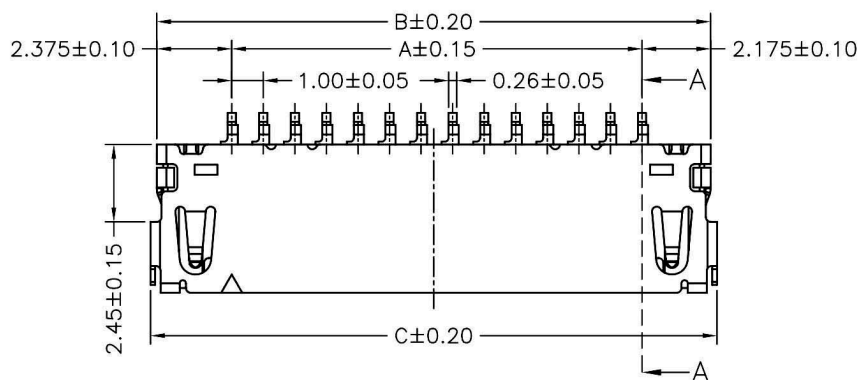
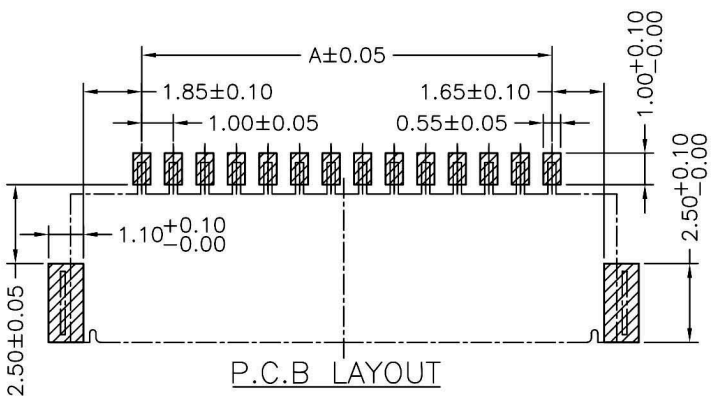


1 2 3 4 5 6 7 8

A  
B  
C  
D  
E  
F  
G  
H

A  
B  
C  
D  
E  
F  
G  
H



**SPECIFICATIONS**  
 Current Rating: 1A AC,DC  
 Voltage Rating: 100V AC,DC  
 Temperature Range: -25°C ~ +85°C  
 Contact Resistance: 30mΩ Max.  
 Insulation Resistance: 500MΩ Min.  
 Withstanding Voltage: 500V AC/minute  
 Shell: Phosphor Bronze/Tin-plated  
 Pin: Brass/Contacts/Gold-plated  
 3u" and Solder tabs/Gold-flash  
 Material: LCP,UL94V-0  
 Color: Natural(Beige)

NO.	Dimensions		
	A	B	C
08P	7.00	11.55	11.95
14P	<del>13.00</del>	<del>17.55</del>	<del>17.95</del>
20P	19.00	23.55	23.95
30P	29.00	33.55	33.95

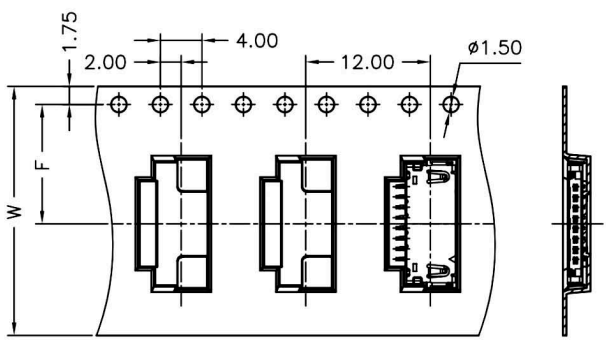
RoHS Compliant		<b>HSM</b> 玄茂科技股份有限公司 HSUAN MAO TECHNOLOGY CO., LTD.	
APPD. 核准 HELEN	SCALE 比例 參考	TOLERANCE 容許公差 X. X±0.25 X. XX±0.15 X. XXX±0.05	PART NAME 品名 1.0mm WAFER 1XXXP SMT RIGHT ANGLE TYPE BEIGE COLOR REEL PACKING ROHS
DWG. 製圖 ABBY	UNIT 單位 MM	SIZE. 紙張尺寸 A4	PART NO. 料號 W9112-XXPBXCR0R
DATE 製表日 2017/10/31	PAGE 張數 1 OF 2	REV. 版次 A	

1 2 3 4 5 6 7 8

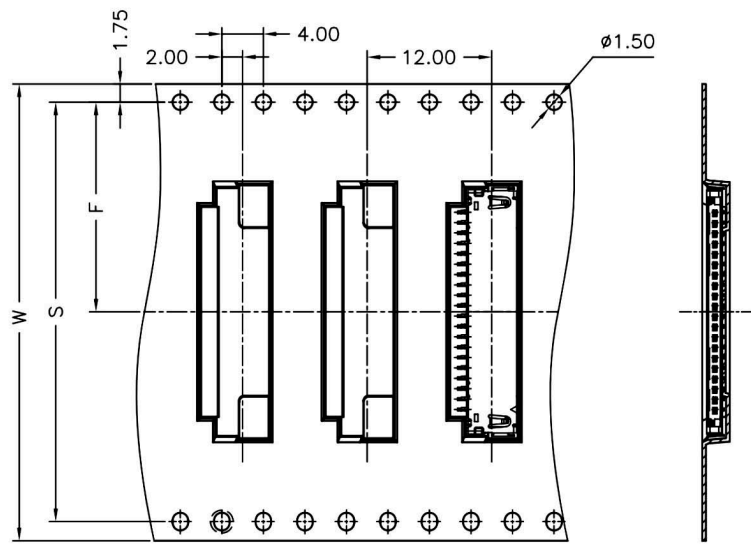
1 2 3 4 5 6 7 8

A  
B  
C  
D  
E  
F  
G  
H

08 contacts

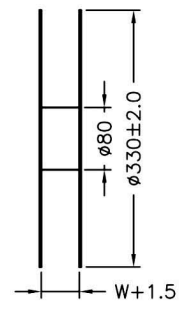
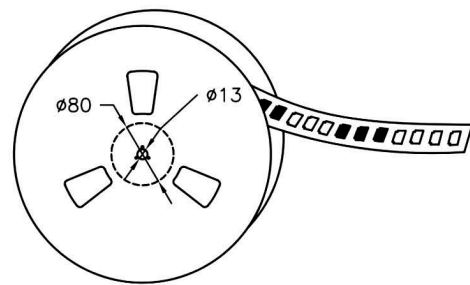
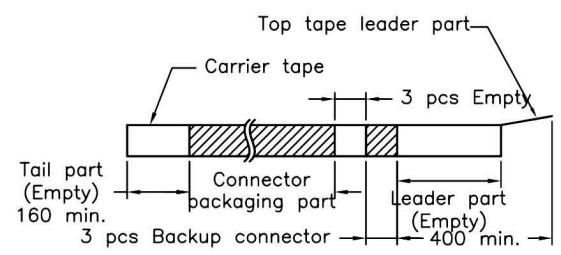
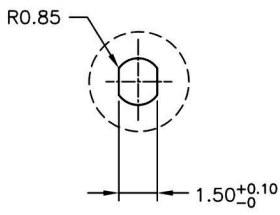
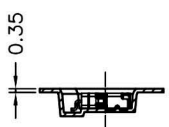


14~30 contacts



Unreeling direction →

Unreeling direction →



Number of Contacts	W±0.3	F±0.1	S±0.1	Q'ty/Reel
08P	24	11.50		2,000
<del>14P</del>	<del>32</del>	<del>14.20</del>	<del>28.40</del>	<del>2,000</del>
20P	44	20.20	40.40	2,000
30P	56	26.20	52.40	2,000

RoHS Compliant		HSM 玄茂科技股份有限公司 HSUAN MAO TECHNOLOGY CO., LTD.	
APPD. 核准 HELEN	SCALE 比例 参考	TOLERANCE 容許公差 X.X±0.25 X.XX±0.15 X.XXX±0.05	PART NAME 品名 1.0mm WAFER 1XXXP SMT RIGHT ANGLE TYPE BEIGE COLOR REEL PACKING ROHS
DWG. 製圖 ABBY	UNIT 單位 MM	SIZE 紙張尺寸 A4	PART NO. 料號 W9112-XXPBXCR0R
DATE 製表日 2017/10/31	PAGE 張數 2 OF 2	REV. 版次 A	

1 2 3 4 5 6 7 8