

**MATERIAL :**

1. SHIELD COVER : Zn ALLOY NICKEL PTD.
2. SCREW CAP: BRASS NICKEL PTD.
3. HOUSING : BAKELITE
4. TERMINALS : COPPER NICKEL PTD.
5. CABLE HOLDER : Zn ALLOY NICKEL PTD.
6. SET RING : BRASS NICKEL PTD.
7. INSULATION TUBE : PVC
8. SET SCREW : STEEL NICKEL PTD.
9. HOLDER SCREW : STEEL NICKEL PTD.

**SPECIFICATION :**

**Contact resistance:**

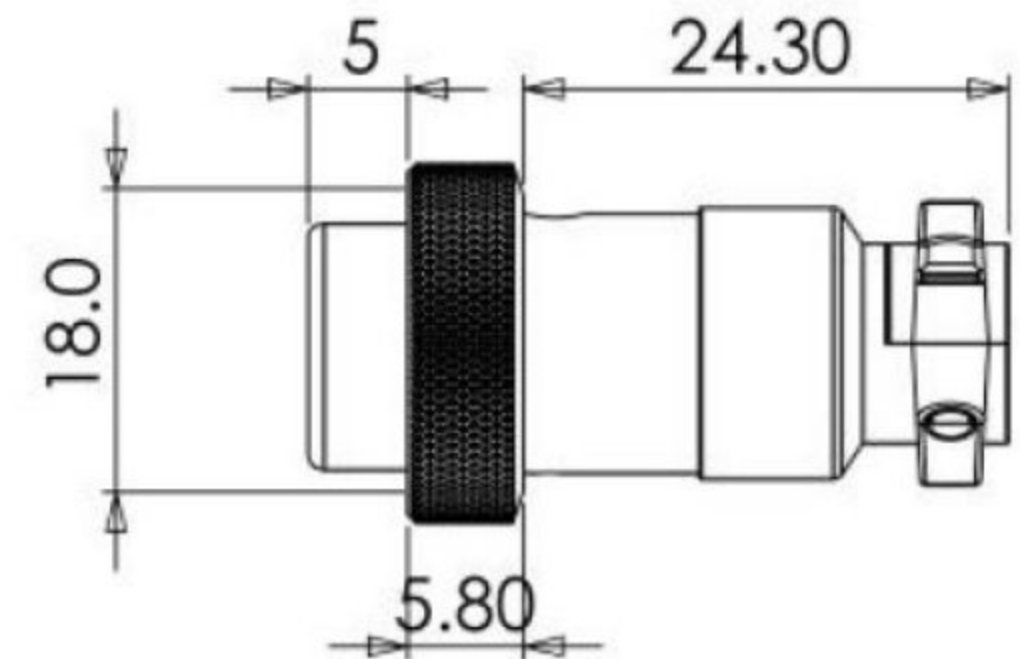
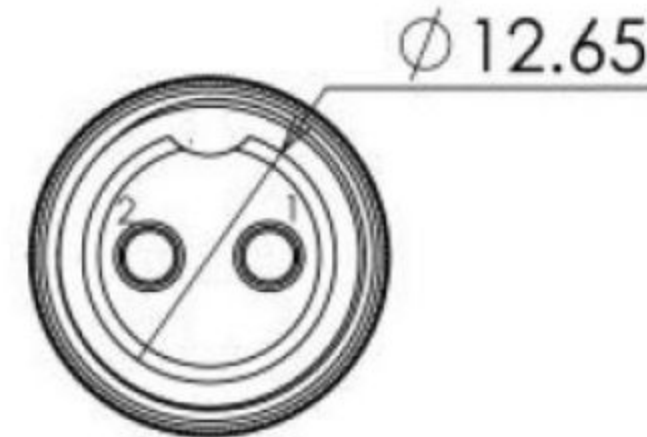
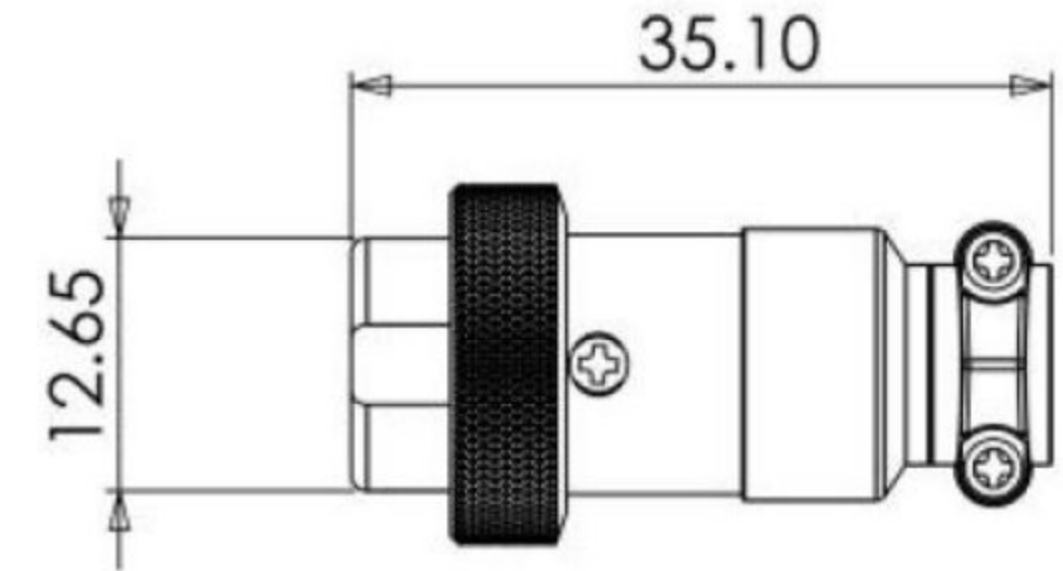
300 m Ω max.

**Insulation resistance:**

100 MΩ 250V DC

**Withstanding voltage:**

1 min at 250V AC



C9910-02FM0000R	C9910-03FM0000R	C9910-04FM0000R	C9910-05FM0000R	C9910-06FM0000R	C9910-07FM0000R	C9910-08FM0000R

<p>RoHS Compliant</p>		<p><b>HSM</b> 玄茂科技股份有限公司 HSUAN MAO TECHNOLOGY CO., LTD.</p>	
<p>APPD. 核准</p>		<p>TOLERANCE 容許公差 .0 ± 0.25 .00 ± ANG. ±</p>	<p>PART NAME 品名 MIC FEMALE CONNECTOR XP ZINC ALLOY SHELL NICKEL PLATING ROHS</p>
<p>DWG. 製圖 HELEN</p>	<p>SCALE 比例 參考</p>	<p>UNIT 單位 MM</p>	<p>PART NO. 料號 C9910-XXFM0000R</p>
<p>DATE 制表日 2010/10/26</p>	<p>PAGE 張數 1 OF 1</p>	<p>REV. 版本 A</p>	