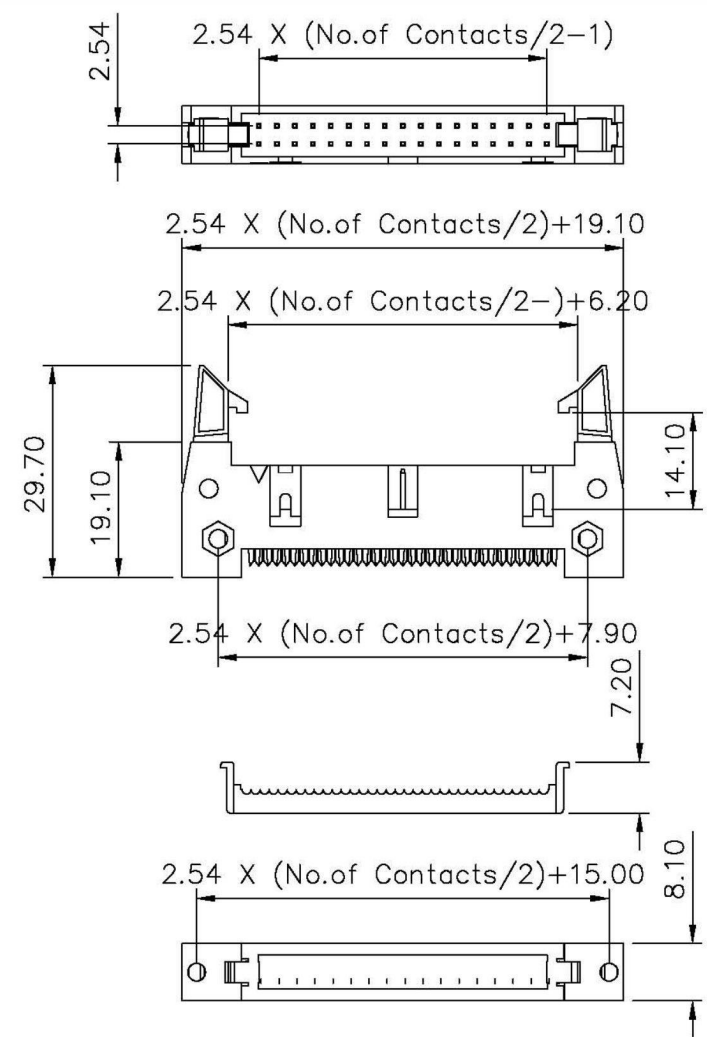
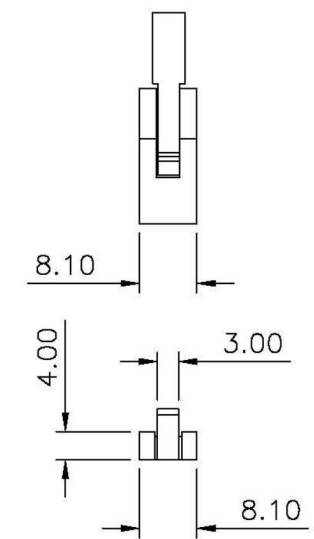
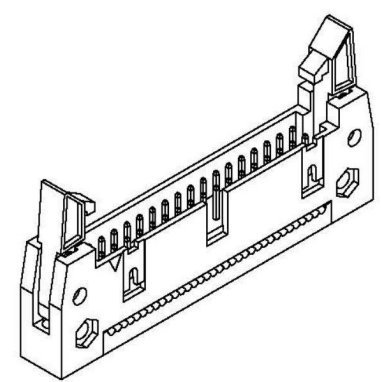


1      2      3      4      5      6      7      8

Current Rating: 3 Amps  
 Insulator Resistance: 1000 Megohms min  
 Dielectric Withstanding: AC 500 V  
 Operating Temperature: -40° ~ +85° C  
 Contact Material: Copper Alloy  
 Insulator Material: Polyester, UL 94V-0  
 Standard: PBT  
 Finish: Gold Plated or Duplex Plated



A  
B  
C  
D  
E  
F  
G  
H

A  
B  
C  
D  
E  
F  
G  
H

1      2      3      4      5      6      7      8

RoHS Compliant		HSM 玄茂科技股份有限公司 HSUAN MAO TECHNOLOGY CO., LTD.	
APPD. 核准 Helen		TOLERANCE 容許公差 .0 ± .00 ± ANG. ±	PART NAME 品名 SHROUDED HEADER IDC TYPE 2.54mm X 2.54mm XXP W/O S/R LONG LOCK W/O EAR SELECTIVE GOLD PLATING ROHS
DWG. 製圖 Yumi	SCALE 比例 參考	SIZE 紙張尺寸 A 4	PART NO. 料號 C9800-XXBLSG00R
DATE 制表日 2010/01/08	UNIT 單位 MM	REV. 版次 A	
	PAGE 張數 1 OF 1		