

1

2

3

4

5

6

7

8

A

B

C

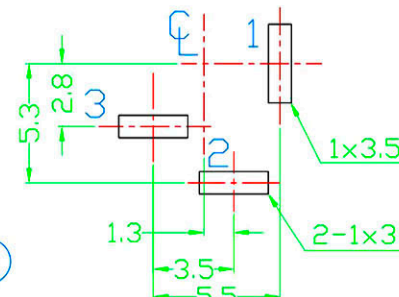
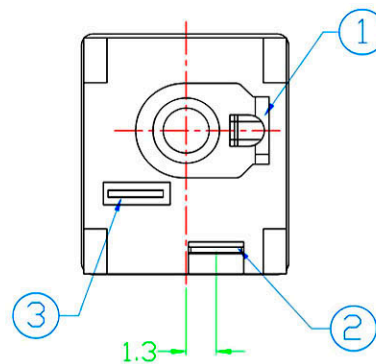
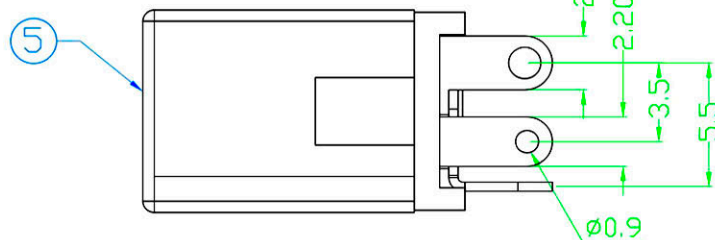
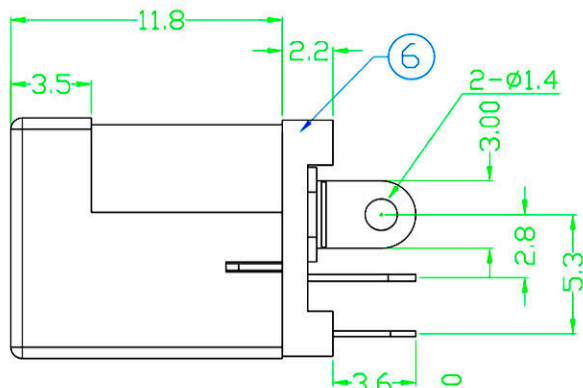
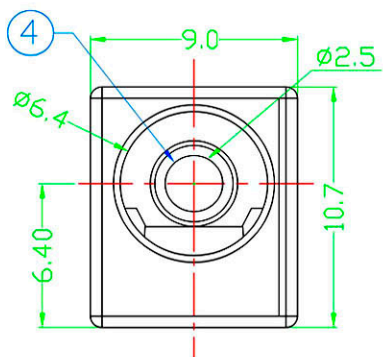
D

E

F

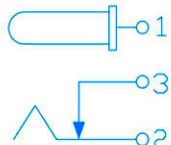
G

H



PCB LAYOUT
(BOTTOM VIEW)

SCHEMATIC



Specification:

Contact Resistance: 30m Ohm Max.At AC 100mA Max .1KHz
 Insulation Resistance: 100M Ohm Min.At 500V DC
 Rated Voltage And Current: DC12V.2A Max;AC 100V.1A Max
 Dielectric Withstanding Voltage: 500V AC for 1 Minute
 Insertion Force: 3.0Kg Maximum.
 Extraction Force: 0.3Kg Minimum.

NO.	NAME	MATERIAL	FINISH	Q'TY
1	PIN TERM.	BRASS T:0.4	TIN PLATED	1
2	SLEEVE TERM.	PHOS. BRONZE T:0.25	TIN PLATED	1
3	BREAK TERM.	BRASS T:0.4	TIN PLATED	1
4	CENTER PIN	BRASS Ø2.5	NICKEL PLATED	1
5	HOUSING	PBT G.F.	BLACK	1
6	BOTTOM COVER	PBT G.F.	BLACK	1

<p>RoHS Compliant</p>		<p>HSM 玄茂科技股份有限公司 HSUAN MAO TECHNOLOGY CO., LTD.</p>	
<p>APPD. 标准 Betty</p>	<p>SCALE 比例 参考</p>	<p>TOLERANCE 0. ± 0.38 .0 ± 0.25 .00 ± 0.13 .000 ± 0.05</p>	<p>PART NAME 品名 DC POWER JACK φ2.5MM STRAIGHT TYPE 3PIN NICKEL PLATED BLACK INSULATOR ROHS</p>
<p>DWG. 製圖 Lena</p>	<p>UNIT 單位 MM</p>	<p>SIZE. 紙張尺寸 A4</p>	<p>PART NO. 料號 C9739-DCSNB000R</p>
<p>DATE 制表日 2020/11/13</p>	<p>PAGE 張數 1 OF 1</p>	<p>REV. 版本 A</p>	

1

2

3

4

5

6

7

8