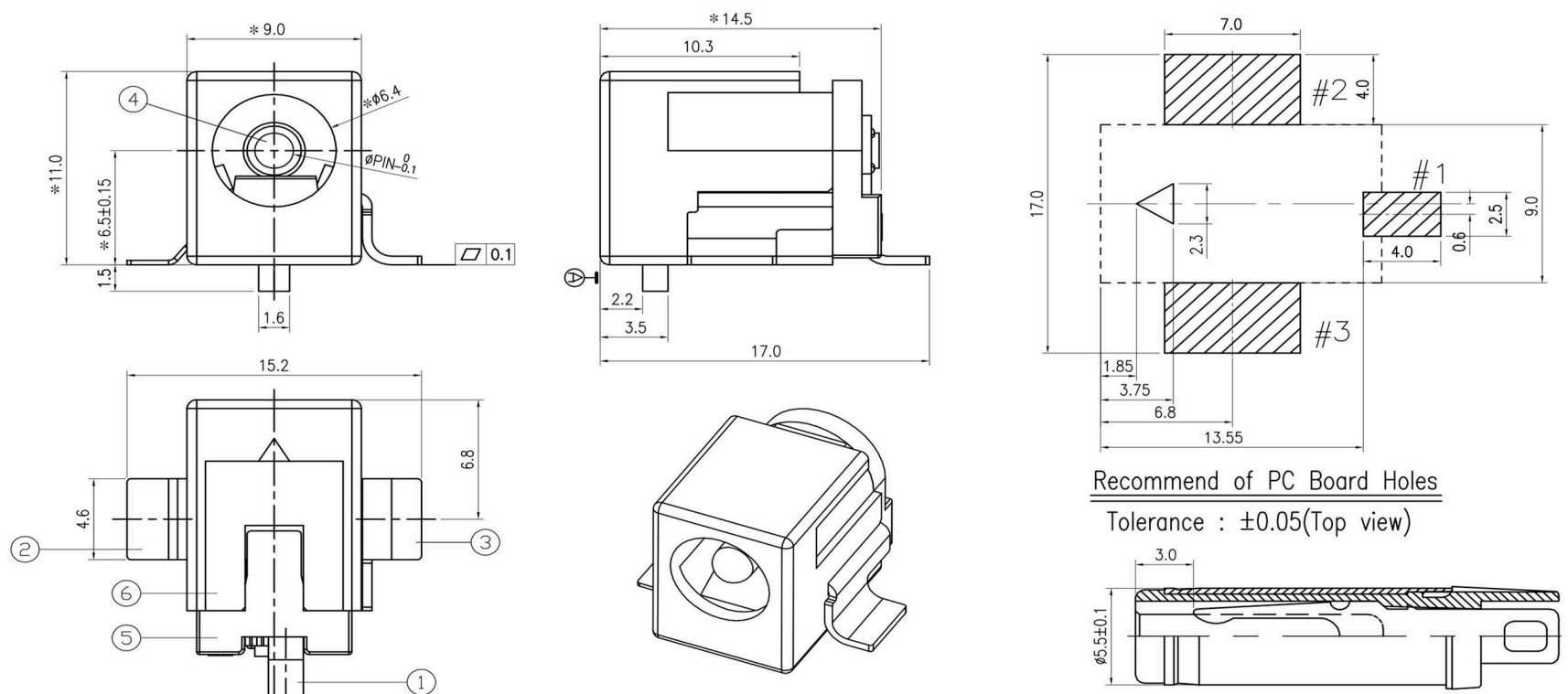


1 2 3 4 5 6 7 8

A  
B  
C  
D  
E  
F  
G  
H

A  
B  
C  
D  
E  
F  
G  
H



Recommend of PC Board Holes

Tolerance : ±0.05(Top view)

DC MATEING PLUG-REF

Notes:

1. Electrical Characteristics:
  - 1-1. Rating : DC 20 V 5 A ;
  - 1-2. Contact Resistance: 30mΩ Max.(Initial),  
Between plug and contact 100mΩ Max;  
(Final) After Life test: ≤60mΩ ;
  - 1-3. Dielectric Withstanding Voltage: 500V AC for One Minute ;
  - 1-4. Insulation Resistance: 100MΩ Min. Measured By 500 VDC;
2. Mechanical Characteristics:
  - 2-1. Plug Insertion Force 0.3~2.0Kgf (initial),  
0.3~2.0Kgf (Final) life test;
  - 2-2. Plug Extraction Force: 0.3~2.0Kgf (initial),  
0.3~2.0Kgf (Final) life test;
3. Durability Test: 5,000 Cycles min;
4. Operating temperature:-25°C ~ +70°C;
5. Soldering Heat Resistance Reflow Soldering 260°C;
6. Plug Interface Dimensions Conform To EIAJ RC-5321 Spec;
7. Packaging: Tape Reel;

6	COVER	1	PA9T	UL-94V0(BLACK)
5	HOUSING	1	PA9T	UL-94V0(BLACK)
4	CENTER PIN	1	BRASS	Ni PLATED
3	CURVE PIECE	1	BRASS t=0.50	MB:Ni Ag PLATED
2	SPRING PIECE	1	PHOSPHOR BRONZE t=0.25	MB:Ni Ag PLATED
1	FLAT PIECE	1	BRASS t=0.50	MB:Ni Ag PLATED
LTR	PART NAME	QTY	MATERIAL	REMARK

SCHEMATIC		
C9737-CCNB0000R	φ2.0	○ #1
C9737-DCNB0000R	φ2.5	○ #3
		○ #2

RoHS Compliant **HSM** 玄茂科技股份有限公司  
HSUAN MAO TECHNOLOGY CO., LTD.

APPD. 核准	SCALE 比例 参考	TOLERANCE XX ±0.30 XX' ±3' XXX ±0.20 XXX' ±1' XXXX ±0.15	PART NAME 品名 DC POWER JACK SMT TYPE Φ2.05mm OR Φ2.5mm NORMAL CLOSE NICKEL PLATING BLACK INSULATOR ROHS
DWG. 製圖 Betty	UNIT 單位 M M	SIZE 紙張尺寸 A 4	PART NO. 料號 C9737-(C,D)CNB0000R
DATE 製表日 2022/02/08	PAGE 張數 1 OF 1	REV. 版次 A	

1 2 3 4 5 6 7 8