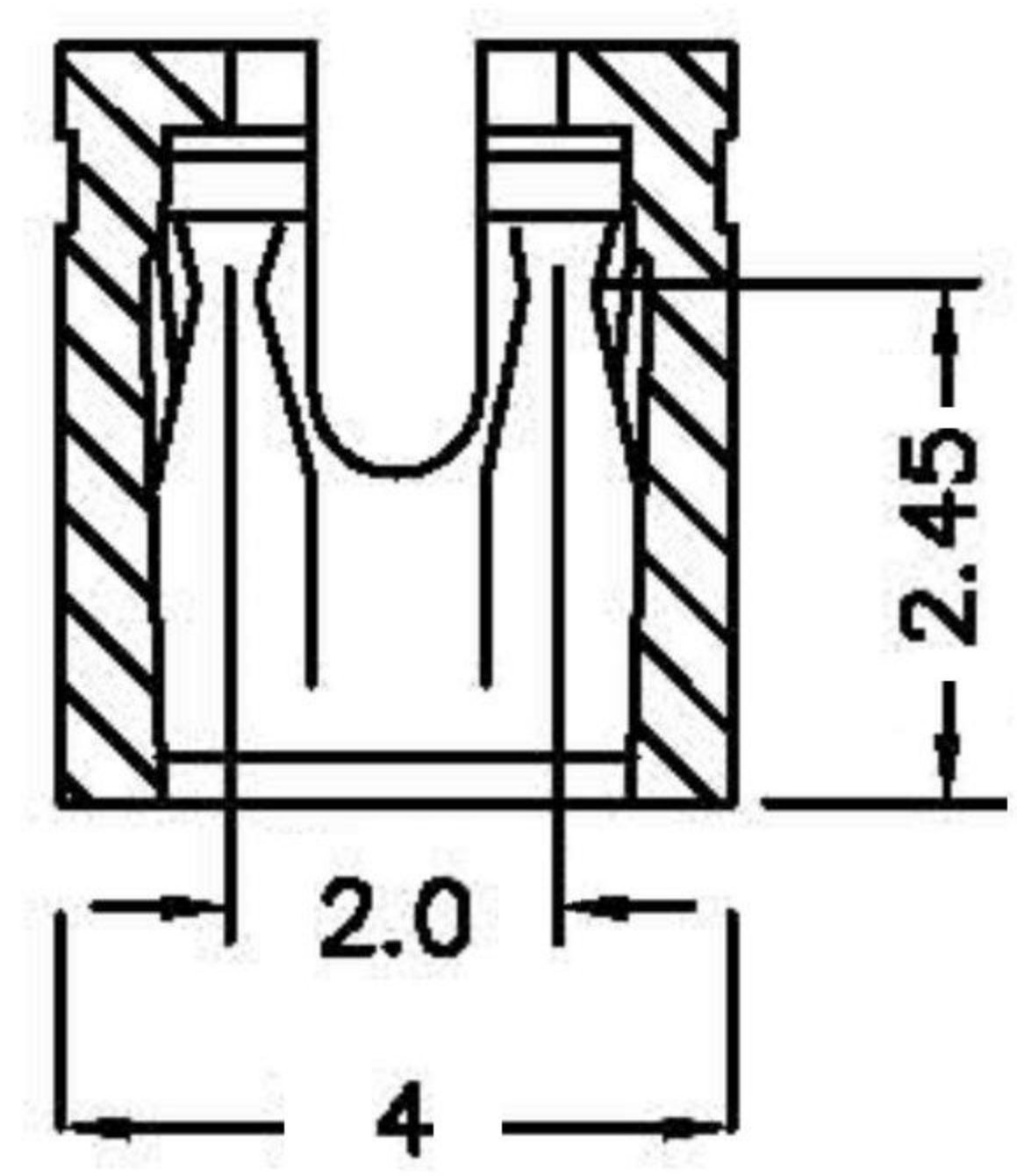
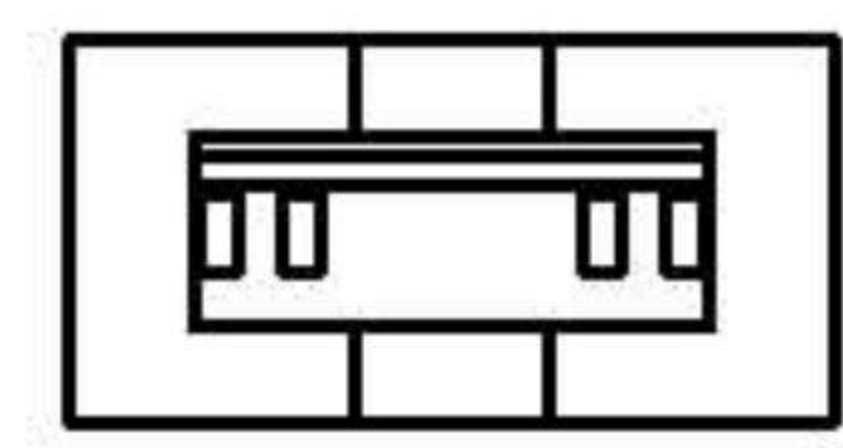
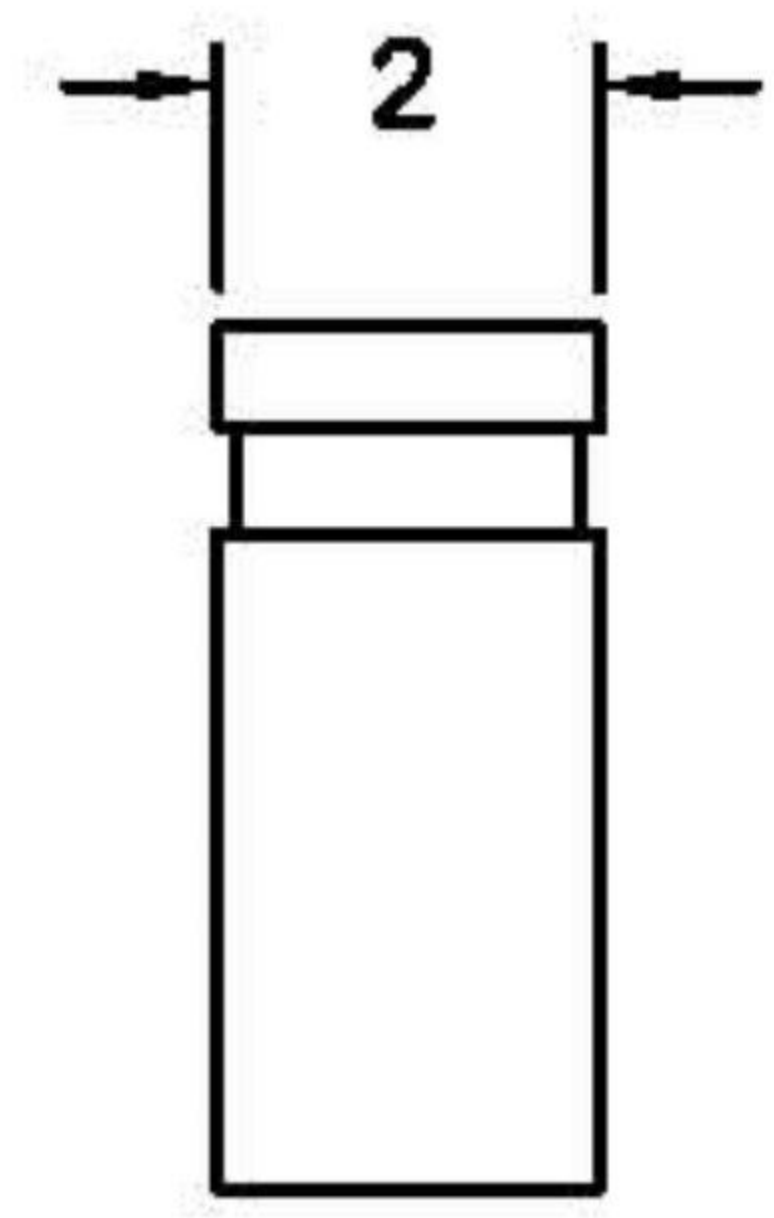
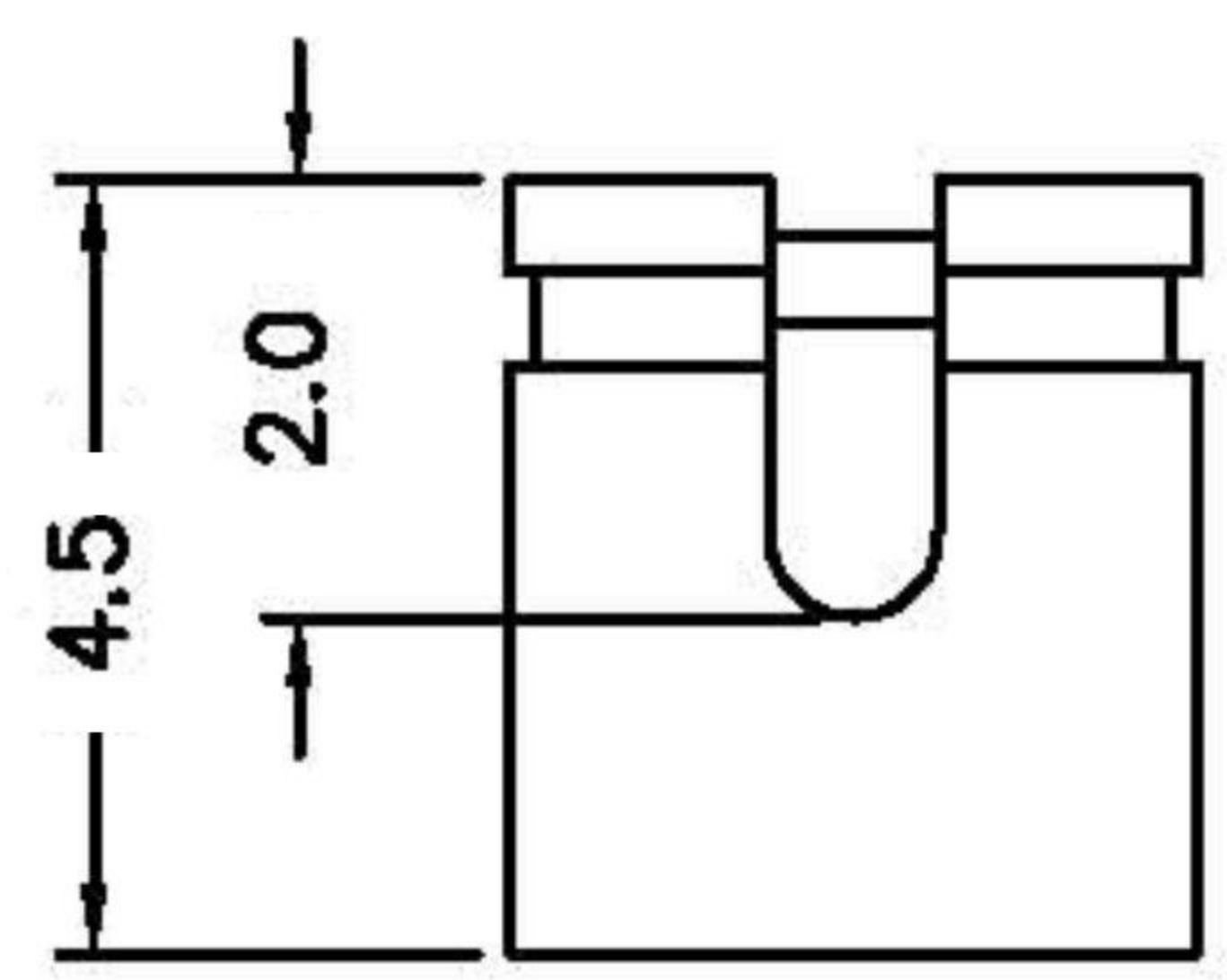


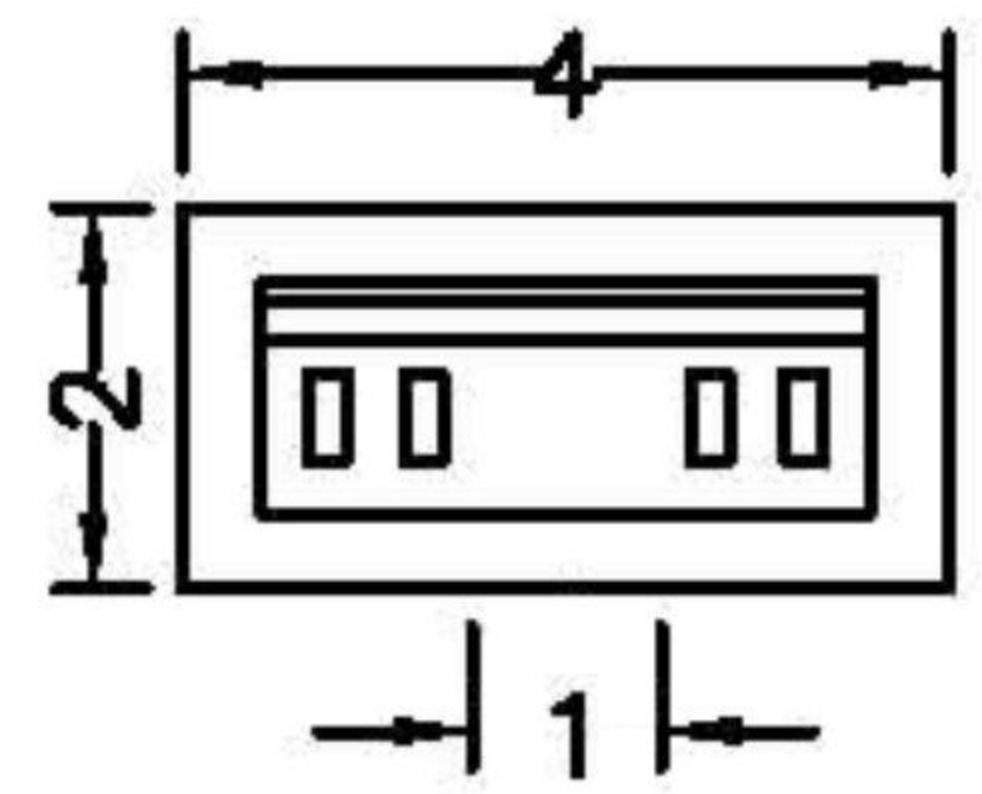
1 2 3 4 5 6 7 8

A
B
C
D
E
F
G
H

*以下圖示塑膠公差皆為±0.20
金屬件公差為±0.05



CONTACT POINT



FEATURES
Double tuning fork type contact guarantees high reliability.
2.0MM pitch Low-Profile mini type Match to 0.50mm sq. posts.

MATERIAL
.Insulator.....30% Glass Filled P.B.T.(UL 94v-0)
.Contact.....Gold Plated
.Terminal.....5191 Phosphor Bronze.(0.20m/m厚)

SPECIFICATIONS
.Current Rating:1 amperes MAX
.Contact Resistance: 30m ΩMAX
.Insulation Resistance: 1000 megohms MAX
.Dielectric Withstanding Voltage: AC 550 volts RMS at sea leve

RoHS Compliant **HSM 玄茂科技股份有限公司**
HSUAN MAO TECHNOLOGY CO., LTD.

APPD. 核准 HELEN		TOLERANCE 容許公差 .0 ± .00 ± ANG. ±	PART NAME 品名 2.0mm MINI JUMPER 2P H:4.5mm OPEN TYPE GOLD PLATING BLACK COLOR ROHS
DWG. 製圖 ABBY		SCALE 比例 參考 UNIT 單位 MM	
DATE 制表日 2012/09/11	PAGE 張數 1 OF 1	REV. 版次 A	PART NO. 料號 C9700-02BAGB00R

1 2 3 4 5 6 7 8