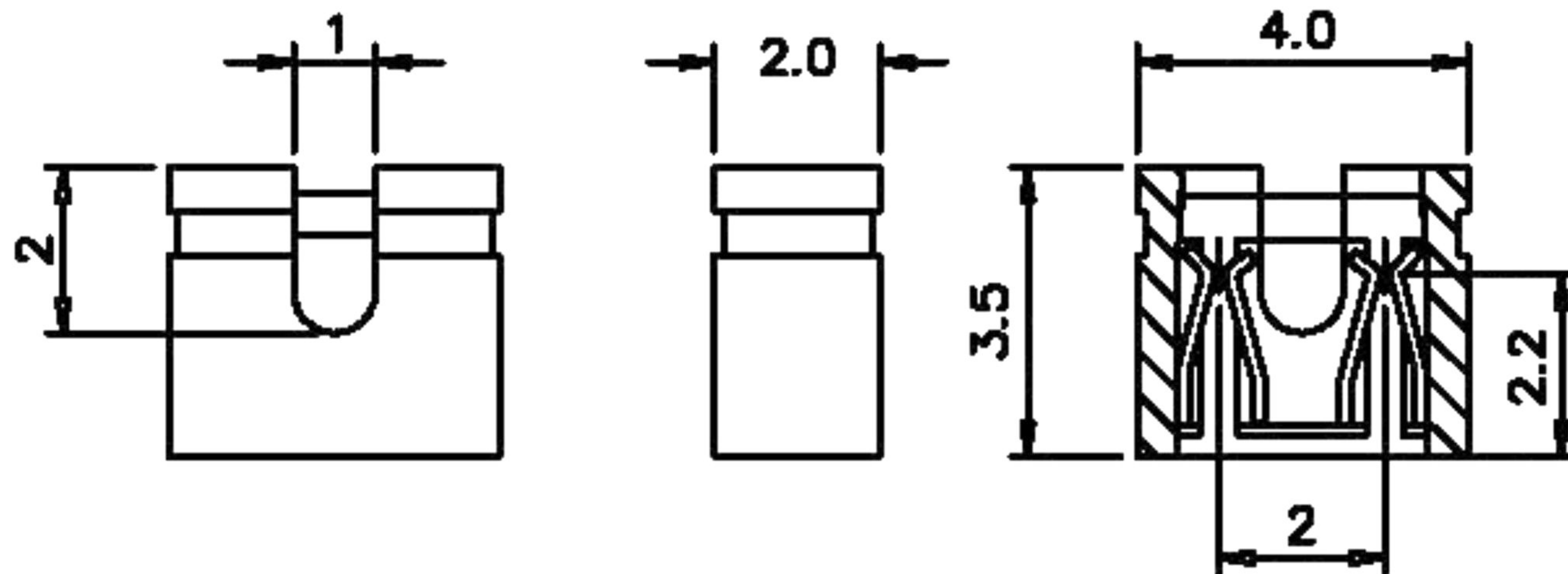


*以下圖示塑膠公差皆為±0.20
金屬件公差為±0.05



FEATURES

Double tuning fork type contact guarantees high reliability.
2.0MM pitch Low-Profile mini type Match to 0.5mm sq. posts.

MATERIAL

.Insulator..... P.B.T. 4130-104F 30%G/F(UL 94v-0)
.Contact.....Gold Plated
.Terminal.....5191 Phosphor Bronze

SPECIFICATIONS

.Current Rating:1 amperes MAX
.Contact Resistance: 30m ΩMAX
.Insulation Resistance: 1000 megohms MAX
.Dielectric Withstanding Voltage: AC 550 volts RMS at sea level

RoHS Compliant		HSM 玄茂科技股份有限公司 HSUAN MAO TECHNOLOGY CO., LTD.	
APPD. 核准 HELEN	 SCALE 比例 參考 UNIT 單位 MM PAGE 張數 1 OF 1	TOLERANCE 容許公差 .0 ± .00 ± ANG. ±	PART NAME 品名 2.0mm MINI JUMPER 2P H:3.5mm OPEN TYPE GOLD PLATING BLACK COLOR ROHS
DWG. 製圖 ABBY		SIZE. 紙張尺寸 A4	PART NO. 料號 C9700-02AAGB00R
DATE 制表日 2012/09/11		REV. 版次 B	