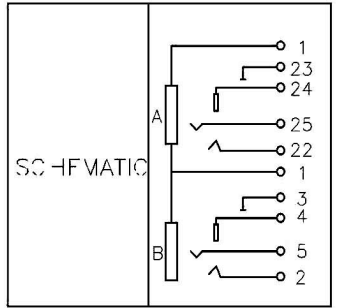
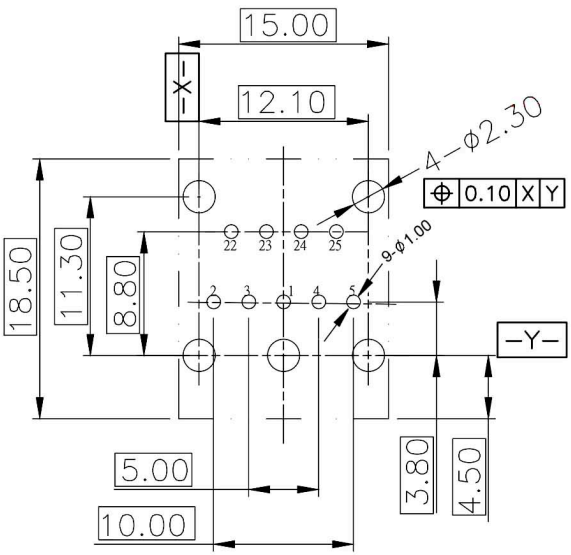


A-Plastic Bushing	B-Plastic Bushing
Pantone #577C(Lime)	Pantone #701C(Pink)



13	Plastic Bushing	PA66+15%G.F, UL94V-0		1
12	Housing	PBT+30%G.F, UL94V-0	Black	1
11	Cover	LCP+30%G.F, UL94V-0	Black	1
10	Shield	SPCC	Bright 100u"Tin Plated Cover 50u"Nickel Plated	1
9	2-Tip Terminal	Copper Alloy	Au1~3u" & Tin Plated & Nickel Plated	1
8	2-TS Terminal	Copper Alloy	Au1~3u" & Tin Plated & Nickel Plated	1
7	2-RS Terminal	Copper Alloy	Au1~3u" & Tin Plated & Nickel Plated	1
6	2-Ring Terminal	Copper Alloy	Au1~3u" & Tin Plated & Nickel Plated	1
5	Tip Terminal	Copper Alloy	Au1~3u" & Tin Plated & Nickel Plated	1
4	TS Terminal	Copper Alloy	Au1~3u" & Tin Plated & Nickel Plated	1
3	RS Terminal	Copper Alloy	Au1~3u" & Tin Plated & Nickel Plated	1
2	Ring Terminal	Copper Alloy	Au1~3u" & Tin Plated & Nickel Plated	1
1	Sleeve Terminal	Copper Alloy	Au1~3u" & Tin Plated & Nickel Plated	1
ITEM	NAME	MATERIAL	FINISH	SUM



RECOMMENDED PCB LAYOUT
COMPONENT SIDE
TOLERANCE:±0.05

RoHS Compliant

HSM 玄茂科技股份有限公司
HSUAN MAO TECHNOLOGY CO., LTD.

APPD. 核准	SCALE 比例 参考	TOLERANCES UNLESS OTHERWISE SPECIFIED X. ±0.35 .XXX / .X ±0.25 .X' ±4 .XX ±0.15 .X' ±3	PART NAME 品名
DWG. 製圖 Betty			UNIT 單位 M M
DATE 制表日 2021/06/23	PAGE 張數 1 OF 1	REV. 版次 A	PART NO. 料號 C9632-02YAA000R