

1 2 3 4 5 6 7 8

A

A

B

B

C

C

D

D

E

E

F

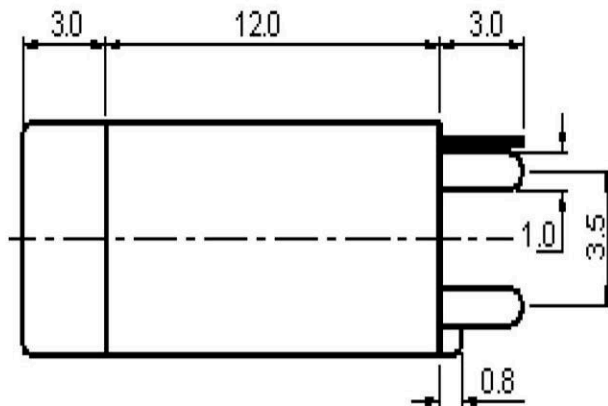
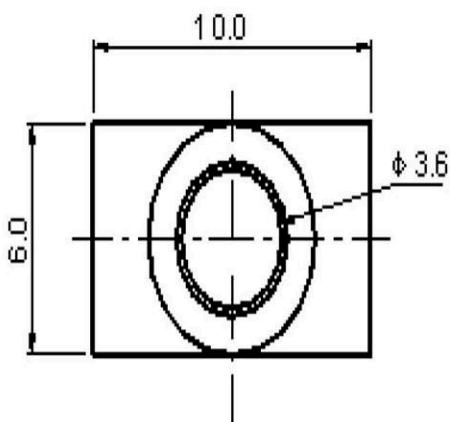
F

G

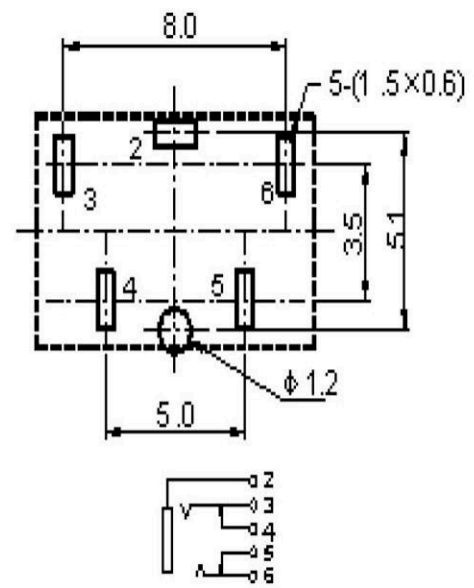
G

H

H



P.C.B LAYOUT TOP VIEW



RATING: DC30V 0.3A  
 WITHSTAND VOLTAGE: AC500V(50Hz)/min  
 CONTACT RESISTANCE:  $\leq 30m\Omega$  max  
 INSULATION RESISTANCE:  $\geq 100M\Omega$  min  
 WITHDRAW FORCE: 3-25N  
 LIFE TEST: 5,000 cycles

6				
5				
4				
3				
2	TERMINAL	BRASS	5	Ag-PLATED
1	HOUSING	PBT	1	
NO.	DESCRIPTION	MATERIAL	QTY.	PLATING

RoHS  
Compliant

**HSM** 玄茂科技股份有限公司  
**HSUAN MAO TECHNOLOGY CO., LTD.**

APPD. 核准		TOLERANCE 容許公差
DWG. 製圖		0 $\pm 0.35$ 0.00 $\pm 0.25$ ANG. $\pm 3^\circ$
DATE 制表日	SCALE 比例	SIZE 紙張尺寸
2016/8/24	Helen	A4
	UNIT 單位	REV. 版本
	MM	A
	PAGE 張數	
	1 OF 1	

PART NAME 品名  
 3.5Φ EARPHONE JACK 5PIN STRAIGHT TYPE  
 ALL PLASTIC WITH LOCATING PEG  
 SLIVER PLATING BLACK INSULATOR ROHS  
 PART NO.  
 料號 C9608-05PYVB00R

1 2 3 4 5 6 7 8