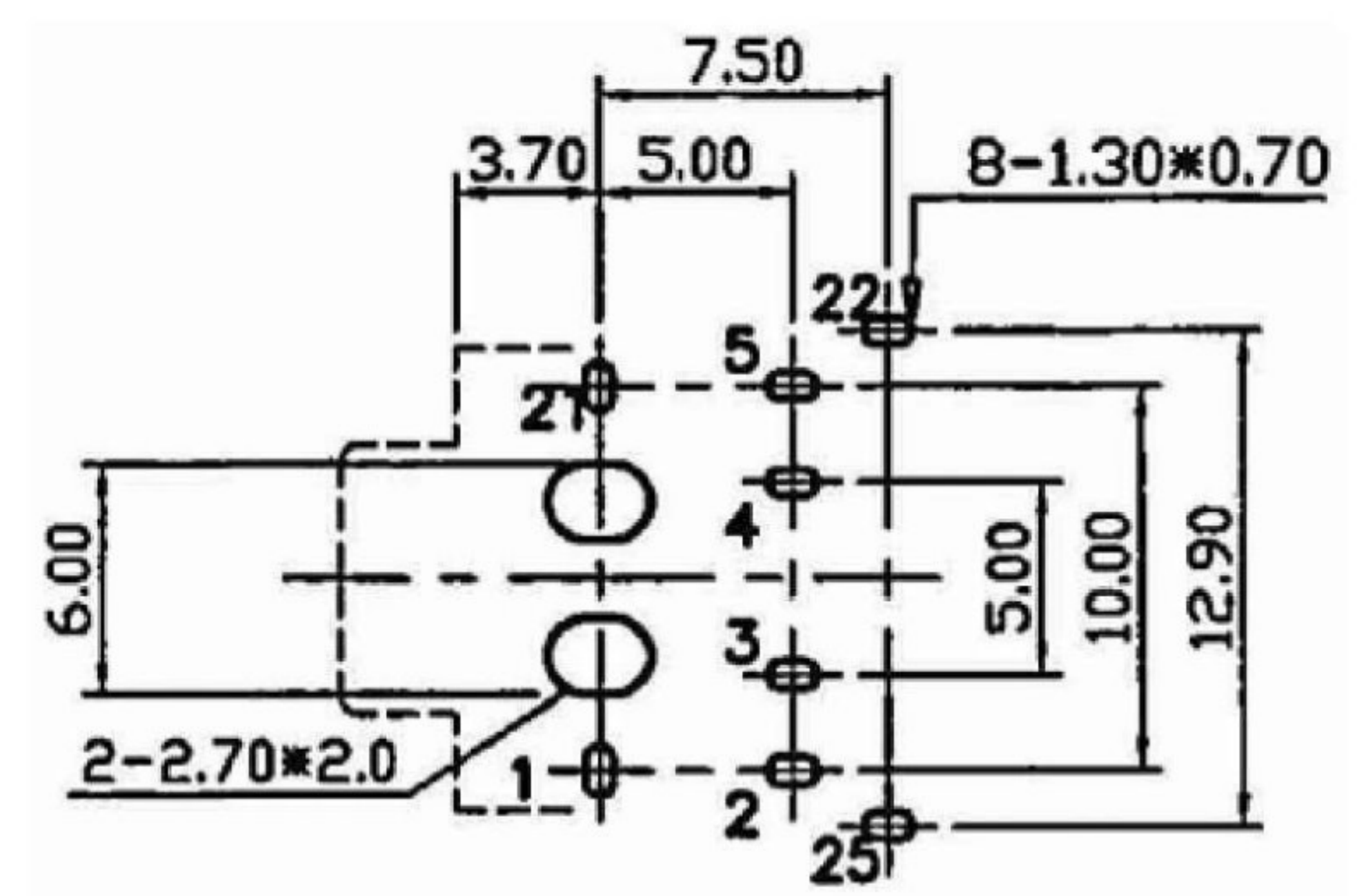
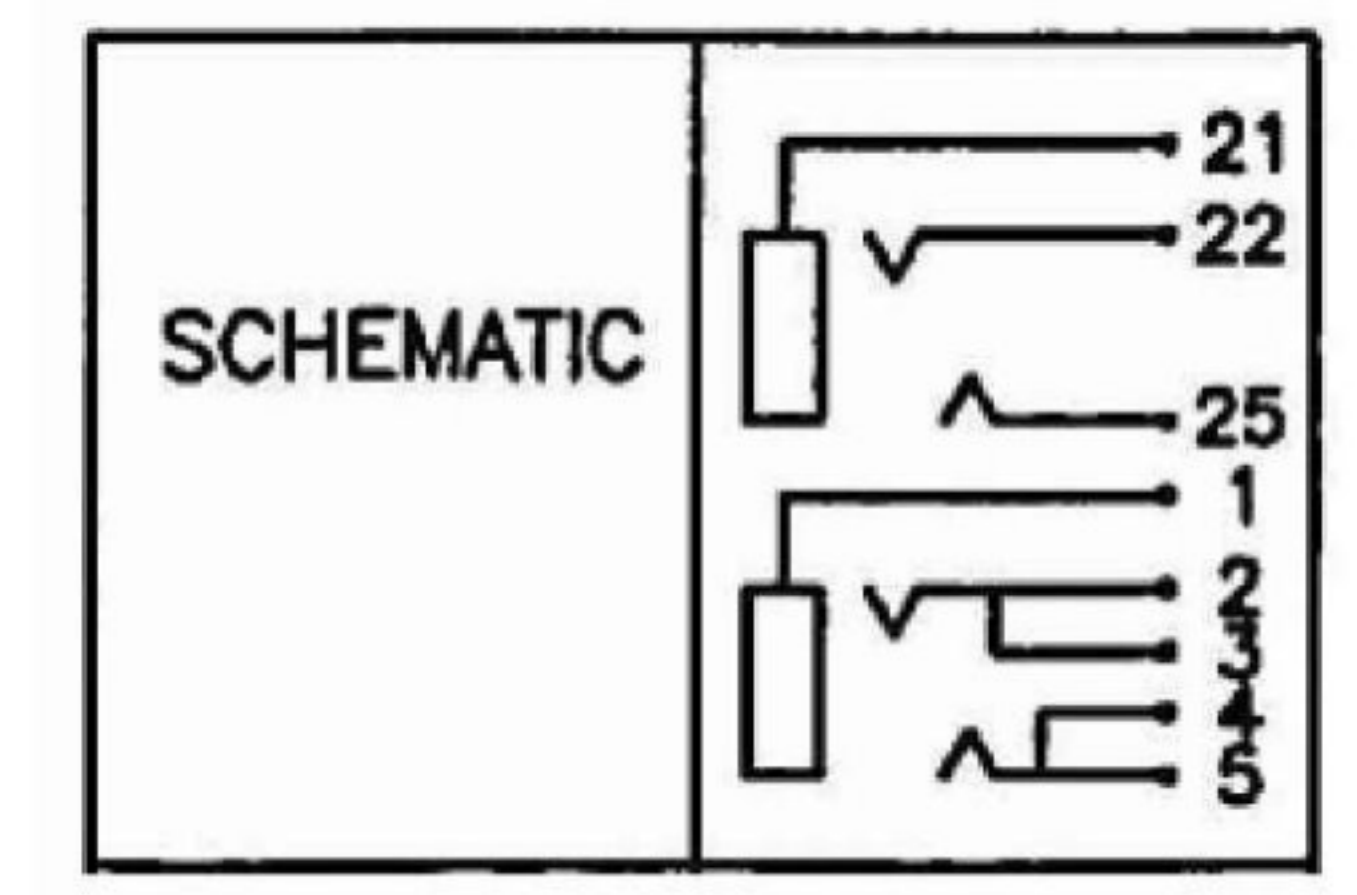


**SPECIFICATIONS:**  
 Contact Resistance : 30mΩ max  
 Insulation Resistance : 100MΩ min. at DC 500V  
 Dielectric Withstand Voltage : AC 500V for one minute  
 Remark: ▲: The Most Important Dimension



**Pin Hole Layout  
(Jack Bottom View)**

12	COVER	1	PBT	BLACK
11	HOUSING	1	PBT	BLACK
10	TIP LEAD(TOP)	1	0.4T BRASS	Silver PLATED
9	TIP SPRING(TOP)	1	0.25T PHOSPHOR COPPER	Silver PLATED
8	RING LEAD(TOP)	1	0.4T BRASS	Silver PLATED
7	RING SPRING(TOP)	1	0.25T PHOSPHOR COPPER	Silver PLATED
6	EARTH TERMINAL(TOP)	1	0.4T BRASS	Silver PLATED
5	TIP SPRING(DOWN)	1	0.25T PHOSPHOR COPPER	Silver PLATED
4	BREAK TERMINAL(DOWN)	1	0.4T BRASS	Silver PLATED
3	BREAK TERMINAL(DOWN)	1	0.4T BRASS	Silver PLATED
2	RING TERMINAL(DOWN)	1	0.3T PHOSPHOR COPPER	Silver PLATED
1	EARTH TERMINAL(DOWN)	1	0.4T PHOSPHOR COPPER	Silver PLATED
LTR	PART NAME	QTY	MATERIAL	REMARK

RoHS Compliant **HSM 玄茂科技股份有限公司**  
**HSUAN MAO TECHNOLOGY CO., LTD.**

APPD. 核准 HELEN	 TOLERANCE 容許公差 .0 ± .00 ± ANG ± SCALE 比例 參考 UNIT 單位 MM SIZE. 紙張尺寸 A4	PART NAME 品名 Φ3.5mm EARPHONE JACK 8P ALL PLASTIC W/ 2 PLASTIC POSTS SILVER PLATING BLACK COLOR ROHS
DWG. 製圖 ABBY		PART NO. 料號 C9603-08PAVB00R
DATE 制表日 2017/11/28	PAGE 張數 1 OF 1	REV. 版次 A

UNLESS OTHERWISE SPECIFIED, TOLERANCE ON DECIMAL: ±0.3