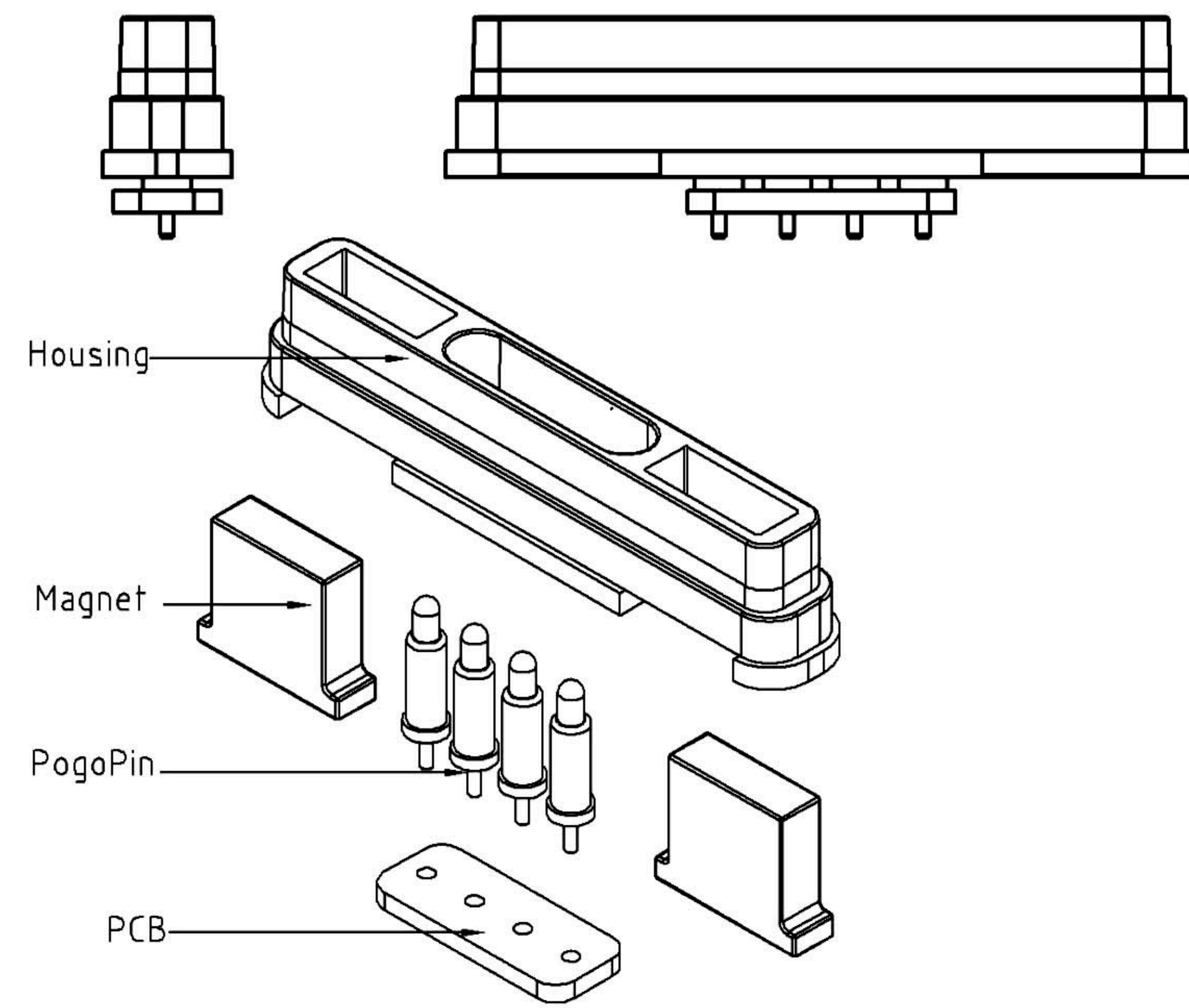
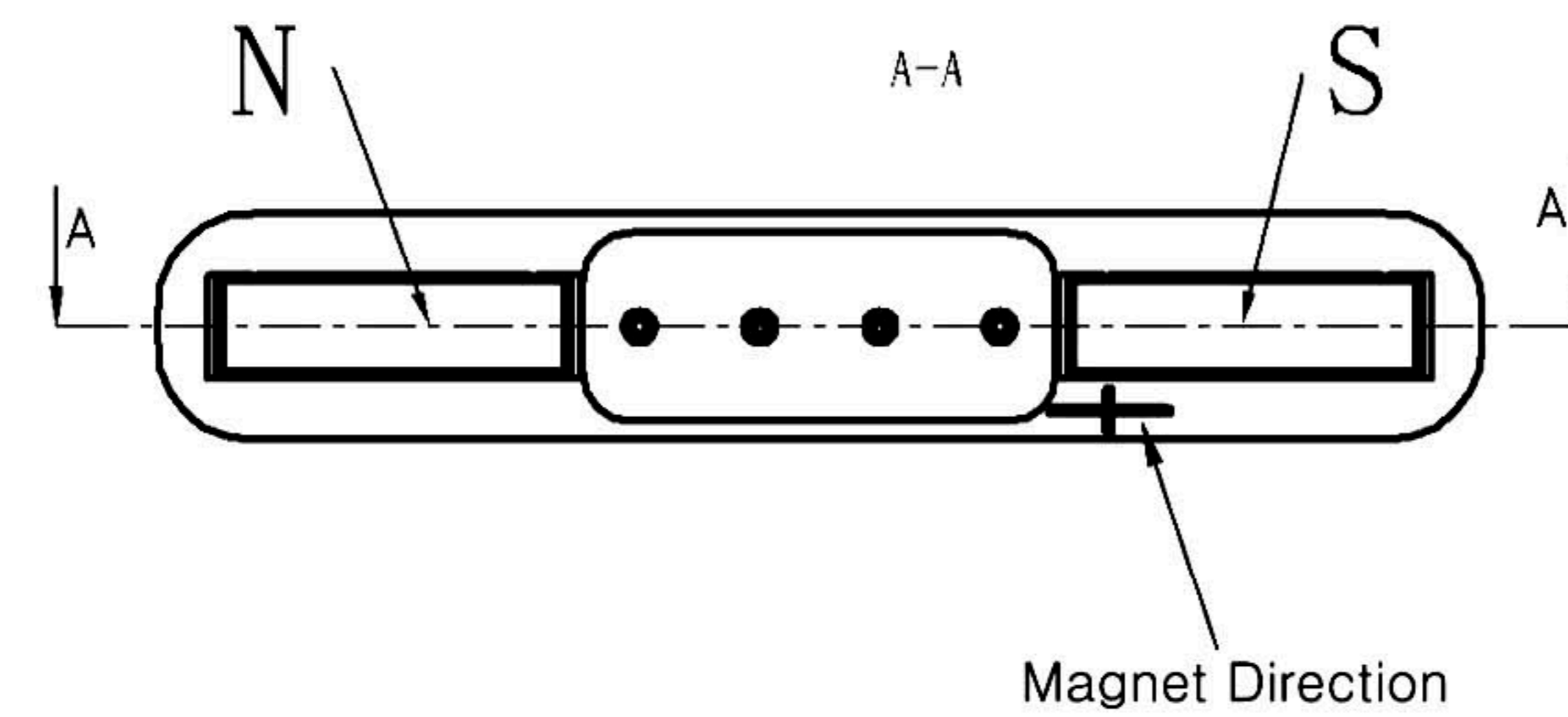
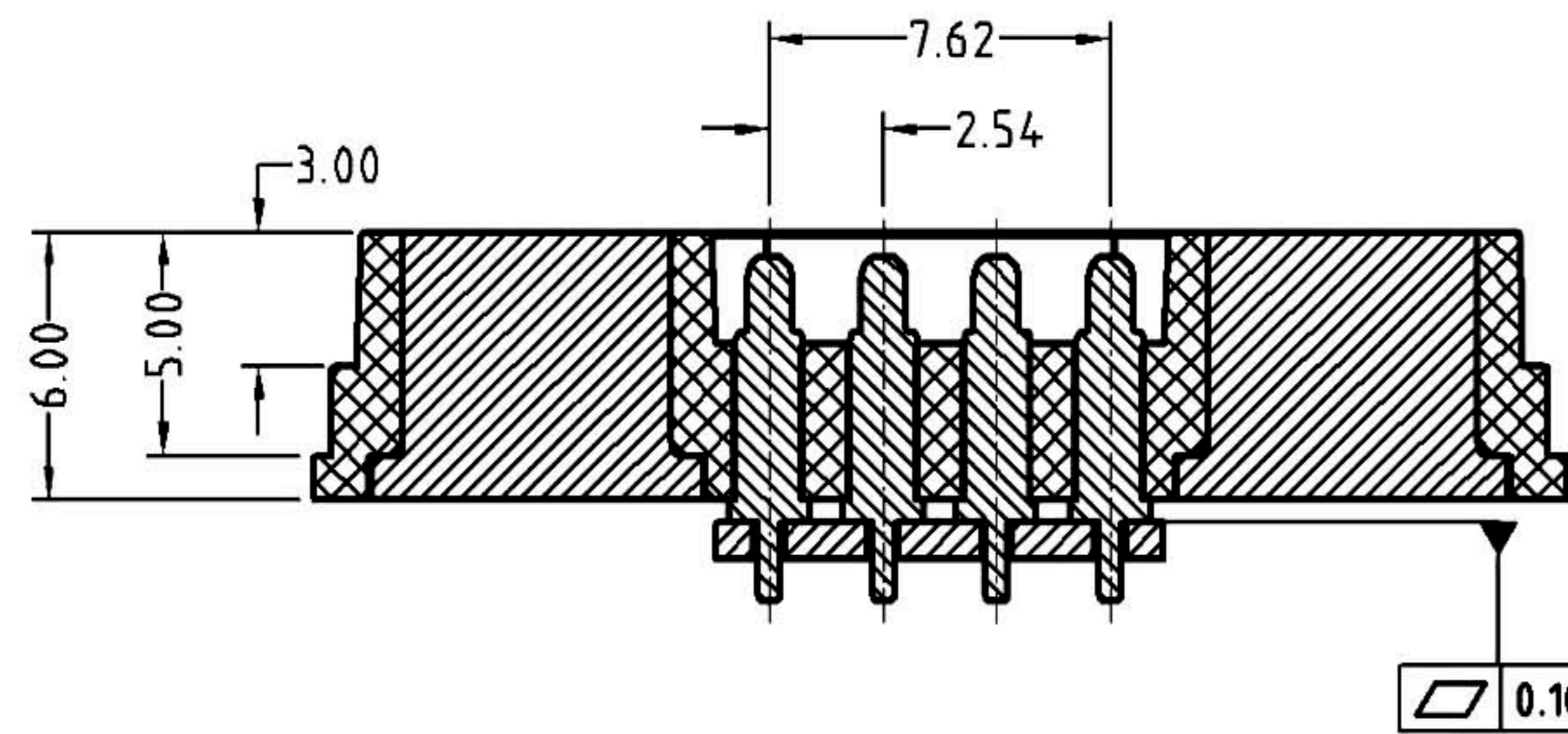
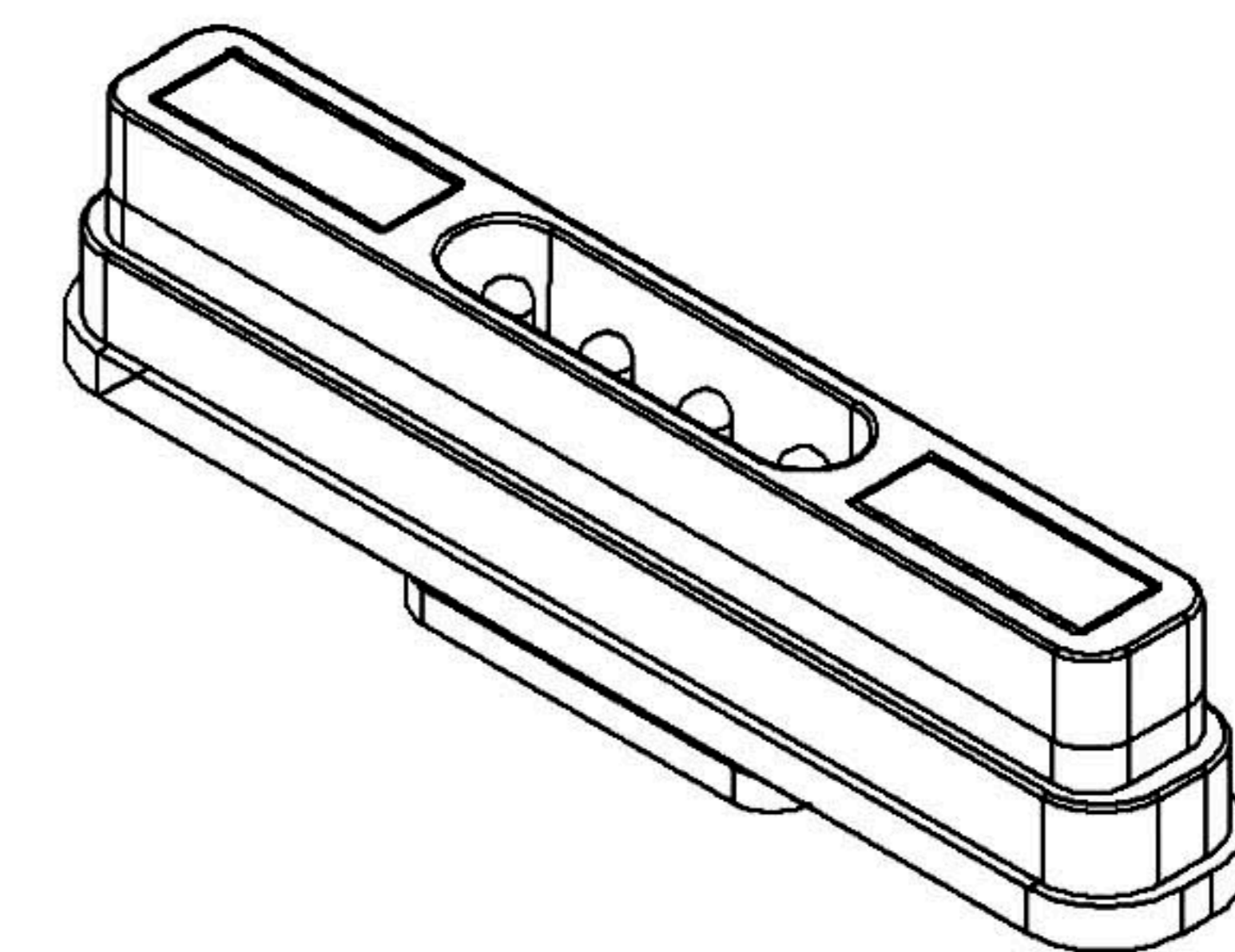
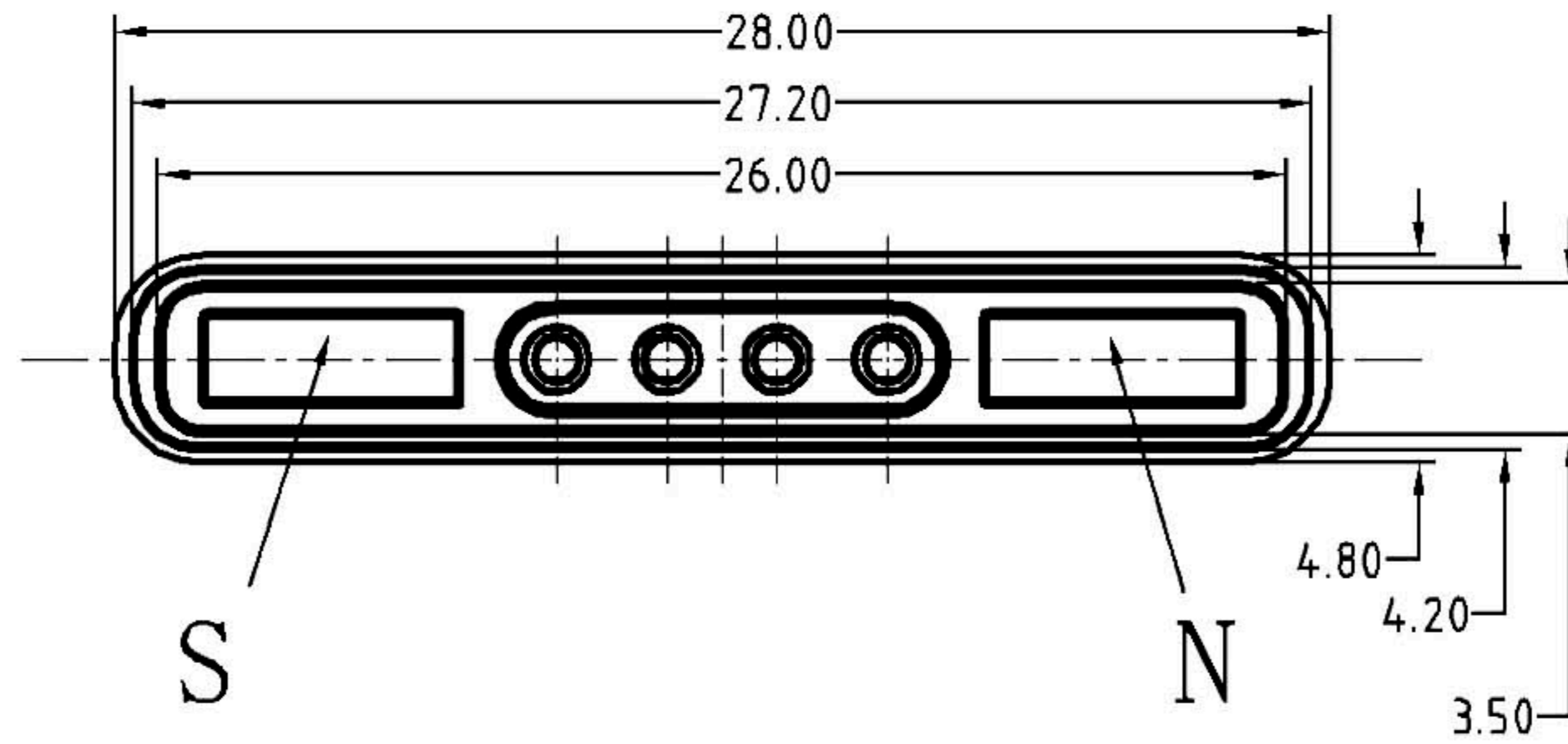


Note:
 Mechanical:
 .Contact force: 70g±20g at 1.0mm working stroke
 .Full stroke: 1.40mm
 .Life test: 50,000 cycles
 Electrical:
 .Rated current & voltage: DC 12V, 2A Max.
 .Contact resistance: 50 milliohm Max.



4	PCB Polyester fiber board	1
4	Pogo pin plating 0.125um Au	4
3	N52 NdFeB Magnet plating Ni-Cu-Ni	1
2	N52 NdFeB Magnet plating Ni-Cu-Ni	1
1	Black HTN UL94 V-0	1
<NO.>	<Specification>	<Qty>

RoHS Compliant		HSM 玄茂科技股份有限公司 HSUAN MAO TECHNOLOGY CO., LTD.	
APPD. 核准 HELEN		TOLERANCE ANGEL ±2° 0~6 ±0.10 6~30 ±0.20 30~150 ±0.30	PART NAME 品名 2.54MM MAGNETIC POGO PIN CONNECTOR 180° 4PIN MALE WITH P.C.B. SPRING FORCE:70gf RATED CURRENT:2AMP GOLD 5U" PLATING BLACK COLOR INSULATOR MATERIAL:HTN UL94V-0 ROHS
DWG. 製圖 ABBY	SCALE 比例 參考	UNIT 單位 MM	SIZE. 紙張尺寸 A4
DATE 制表日 2021/11/19	PAGE 張數 1 OF 1	REV. 版次 A	PART NO. 料號 C9551-04MAAAMBR