

RJ45 JACK

PCB

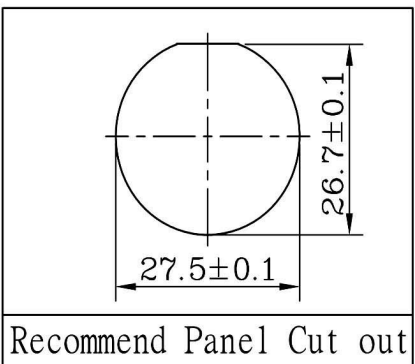
PIN DEFINITION

RJ45	RJ45	PCB
10P	8P	
1		1
2	1	2
3	2	3
4	3	4
5	4	5
6	5	6
7	6	7
8	7	8
9	8	9
10		10
NC	NC	11
Shield	Shield	12

Note:
Waterproof rate: IP68
UV Resist

For Panel Thickness Max 5.0mm		
8	ROPE	EPDM Black
7	DUST COVER	EPDM Black
6	NUT	Nylon+GF Black -40~+105°C
5	GASKET	EPDM Black
4	EPOXY	Black
3	PCB	FR-4
2	RJ45 JACK	Shielded Jack 8Pin or 10Pin
1	HOUSING	Nylon+GF Black-40~+105°C
NO	PART NAME	INFORMATION

<p>RoHS Compliant</p>	<p>HSM 玄茂科技股份有限公司 HSUAN MAO TECHNOLOGY CO., LTD.</p>		
	<p>APPD. 核准</p>	<p>TOLERANCE 容許公差</p>	<p>PART NAME 品名 WATERPROOF TYPE IP68 TYPE RJ45 10PXXC MODULAR JACK GOLD 6U" PLATING TO P.C BOARD OUTER TYPE WITH DUST COVER BLACK COLOR ROHS</p>
<p>DWG. 製圖</p>	<p>SCALE 比例</p>	<p>UNIT 單位</p>	<p>PART NO. 料號</p>
<p>DATE 制表日</p>	<p>PAGE 張數</p>	<p>SIZE. 紙張尺寸</p>	<p>C9400-0XKEB000R</p>
<p>2020/01/20</p>	<p>1 OF 1</p>	<p>REV. 版次</p>	
<p>Betty</p>	<p>MM</p>	<p>A 4</p>	



Recommend Panel Cut out