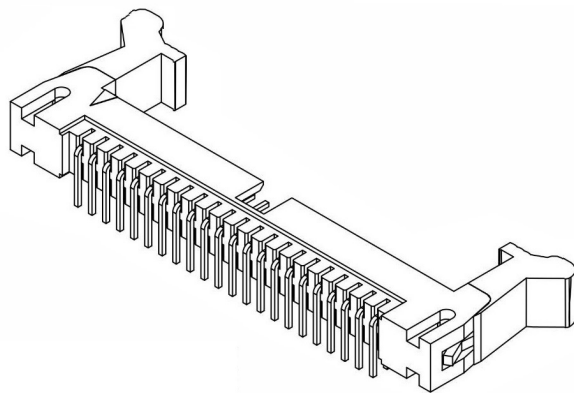


P.C.Board Layout



Contact:

Contact:Brass.

Insulator:Nylon 9T.

Finish:Gold flash plated over nickel.

Circuits	Dimension		
	A	B	C
10	10.0	25.9	8.0
12	12.0	27.9	10.0
14	14.0	29.9	12.0
16	16.0	31.9	14.0
20	20.0	35.9	18.0
22	22.0	37.9	22.0
24	24.0	39.9	22.0
26	26.0	41.9	24.0
30	30.0	45.9	28.0
32	32.0	47.9	30.0
34	34.0	49.9	32.0
40	40.0	55.9	38.0
44	44.0	59.9	42.0
50	50.0	65.9	48.0
60	60.0	75.9	58.0

Specification:

Current Rating: 1Amps.

Withstanding Voltage: 500V AC(1min).

Insulator Resistance: 1000MΩ min.

Contact Resistance: 20m Ω max.

Operating Temperature: -40°C to +85°C.

RoHS Compliant		玄茂科技股份有限公司 HSUAN MAO TECHNOLOGY CO., LTD.	
APPD. 核准 BETTY	SCALE 比例 参考	TOLERANCE 容許公差 .00 ± ANG. ±	PART NAME 品名 2.0x2.0mm SHROUDED HEADER XXP RIGHT ANGLE TYPE LONG LATCH GOLD FLASH PLATING BLACK INSULATOR NYLOT 9T ROHS
DWG. 製圖 BETTY	UNIT 單位 MM	SIZE. 紙張尺寸 A 4	PART NO. 料號 C9001-XXRGGBB00R
DATE 制表日 2010/05/14	PAGE 張數 1 OF 1	REV. 版次 A	